

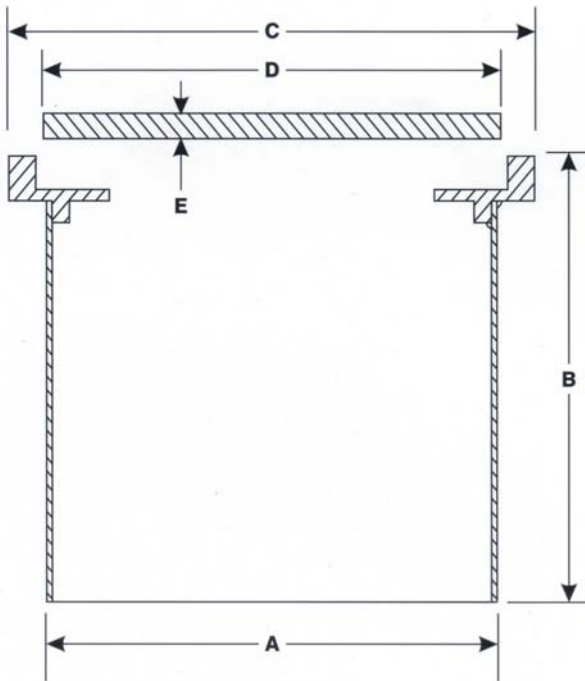
TM SERIES

TANK MONITOR MANHOLES 180TM



STANDARD FEATURES

- 18" DIAMETER SKIRT OPENINGS.
- NON RESTRICTED ACCESS COVERS FOR EASY ACCESS TO BELOW GRADE EQUIPMENT.
- DUCTILE IRON CAST FRAME & COVER.
- 14 GAUGE STEEL SKIRTS IN 8", 12" & 18" DEPTH
- THE WORDS "TANK MONITOR" CAST INTO COVER FOR PROPER IDENTIFICATION OF TANK FARM ELECTRONICS AND MONITORING EQUIPMENT.



TANK MONITOR MANHOLES					
MODEL	A	B	C	D	E
180TM-8	18 1/4"	8"	19 3/4"	18 1/2"	7/8"
180TM-12	18 1/4"	12"	19 3/4"	18 1/2"	7/8"
180TM-18	18 1/4"	18"	19 3/4"	18 1/2"	7/8"

MODEL NO: TM

TM
TANK MONITOR MANHOLES
180TM

FAIRFIELD INDUSTRIES, INC.

827 NORTH 6TH STREET NEWARK, NJ 07107

PHONE: 973-483-0100 FAX: 973-483-5333

www.fairfield-industries.com