

# 180 SERIES

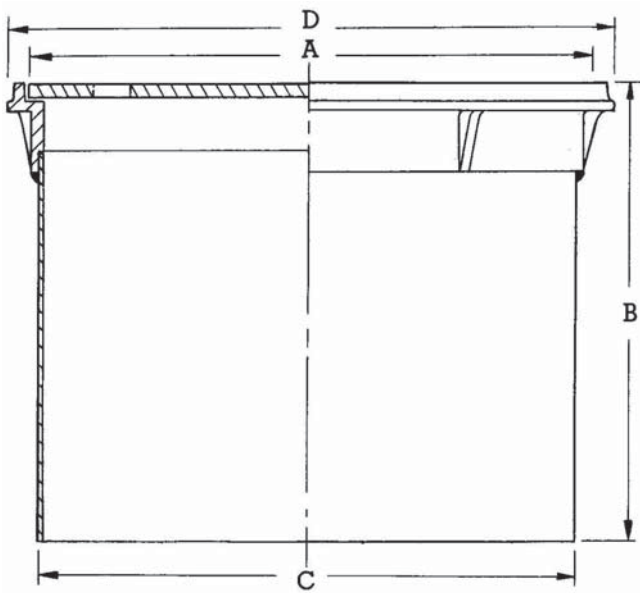
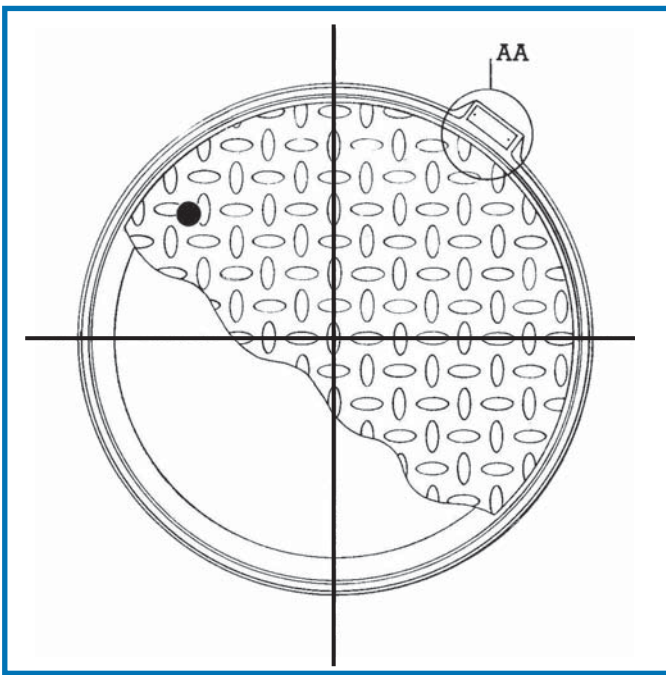
## MANHOLES

### STANDARD FEATURES

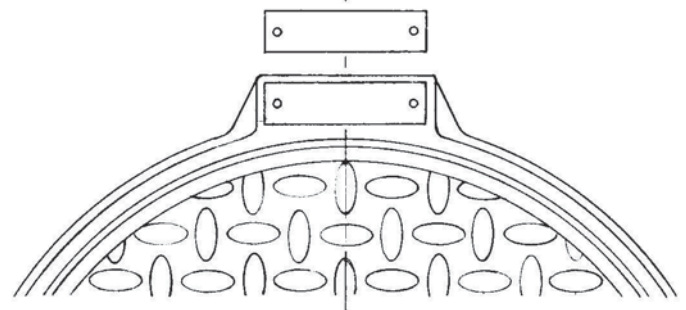
- DIAMOND PLATE STEEL COVER WITH FINGER HOLE ACCESS.
- CAST FRAME WITH GUSSETS .
- 14 GAUGE WELDED STEEL SKIRT.
- OPTIONAL BRASS IDENTIFICATION TAG.
- AVAILABLE IN VARIOUS SKIRT DEPTHS.
- FULL ACCESS DESIGN FOR TANK PIPING & ELECTRICAL JUNCTION BOX ACCESS.

### TYPICAL APPLICATIONS

- THE #180 SERIES MANHOLES CAN BE SPECIFIED WHEN STREET ACCESS IS REQUIRED FOR:
  - LEVEL MONITORS WITH ELECTRICAL JUNCTION BOXES.
  - TANK ANNULUS PROBES.
  - GAUGE PORTS.
  - VENT EXTRACTORS.
  - GROUND WATER & VAPOR PROBES.
  - REGISTERED MONITOR PORTS.



SECTION AA  
OPTIONAL BRASS TAG FOR  
PROPER MANHOLE IDENTIFICATION



#### SOLID COVER MANHOLES

MODEL	A	B	C	D
<b>180-8</b>	18 15/16"	9 5/8"	18"	20 1/8"
<b>180-12</b>	18 15/16"	14 5/8"	18"	20 1/8"
<b>180-18</b>	18 15/16"	19 5/8"	18"	20 1/8"

**MODEL NO: 180**

**FAIRFIELD INDUSTRIES, INC.**

827 NORTH 6TH STREET NEWARK, NJ 07107

PHONE: 973-483-0100 FAX: 973-483-5333

[www.fairfield-industries.com](http://www.fairfield-industries.com)