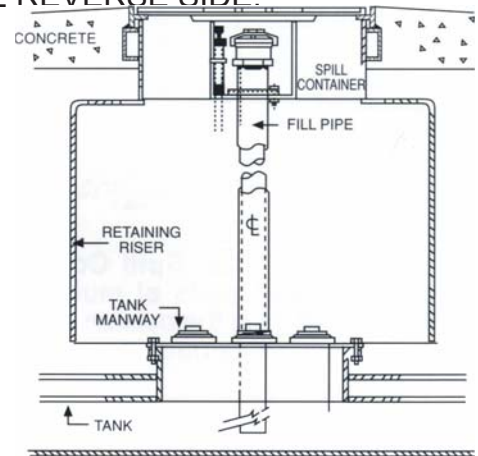
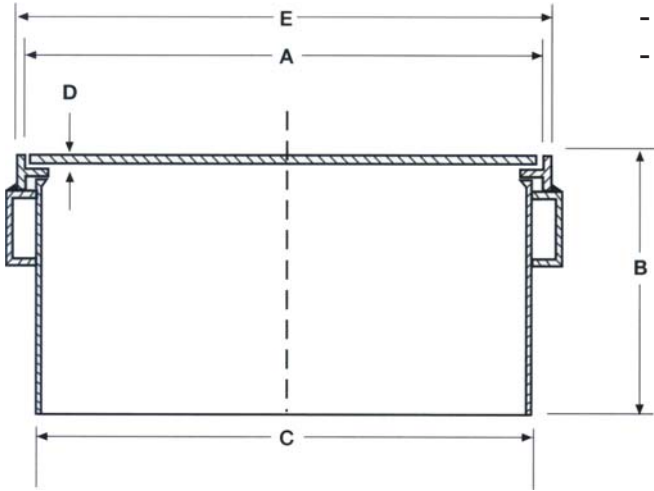
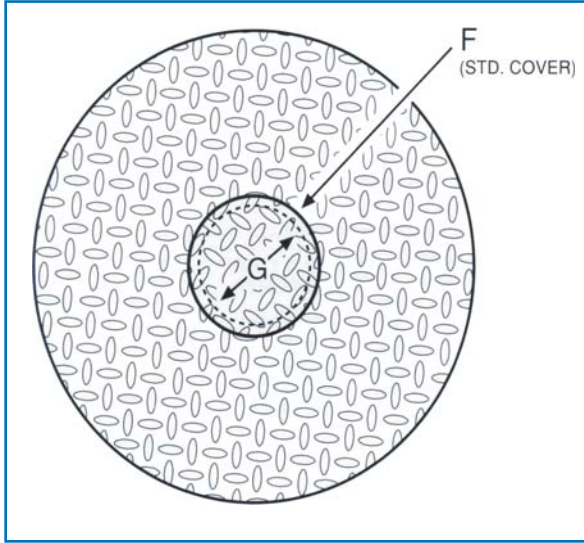


SPECIFICATIONS

DUAL ACCESS SERIES MANHOLES

STANDARD FEATURES

- STEEL T-FRAME CONSTRUCTION.
- DIAMOND PLATE STEEL COVERS REINFORCED WITH 4" CHANNEL
- H-20 LOAD RATING .
- 14 GAUGE SKIRTS.
- RECESSED HANDLE(S) FOR EASE OF COVER REMOVAL.
- COMPLETE WELDED STEEL CONSTRUCTION.
- ALL STEEL COATED WITH RUST PREVENTIVE PAINT.
- WATER TIGHT MANHOLES AVAILABLE ON REQUEST.
- CHANNEL-STYLE CONCRETE ANCHORS.
- OPTIONAL SPILL CONTAINERS AVAILABLE FOR "INNER" ACCESS PORTS, SEE REVERSE SIDE.



DUAL ACCESS SINGLE PORT MANHOLES

MODEL	A	B	C	D	E	F	G
301	29 3/4"	13 3/4"	30 3/4"	3/8"	30 3/4"	16	14
361	35 3/4"	13 1/2"	35 3/4"	1/2"	36 1/2"	16	14
381	37 3/4"	13 1/2"	37 1/2"	1/2"	38 1/2"	16	14
421	42"	13 1/2"	41 1/2"	1/2"	43"	16	14
481	48"	13 1/2"	46 1/2"	1/2"	49"	16	14

TYPICAL APPLICATIONS

- DUAL ACCESS MANHOLES ARE USED OVER USTS WHERE TWO ACCESS POINTS ARE REQUIRED, I.E., FILL PIPE, AND TANK MANWAY ACCESS.
- TYPICAL INSTALLATION DETAIL ABOVE IS SHOWN WITH OPTIONAL SCM-5 RETRO STAINLESS STEEL SPILL CONTAINER ON FILL PIPE .
- FILL PIPE ACCESS PORT IS CENTERED ON STANDARD MANHOLES. OFF CENTER ACCESS PORTS AVAILABLE AT CUSTOMER'S REQUEST.

MODEL NO: STD. DUAL ACCESS

DUAL ACCESS
HEAVY DUTY
MANHOLES

NOTE: (A) SEE REVERSE SIDE FOR OPTIONAL RETRO SPILL CONTAINERS FOR INNER PORTS.

FAIRFIELD INDUSTRIES, INC.

827 NORTH 6TH STREET NEWARK, NJ 07107

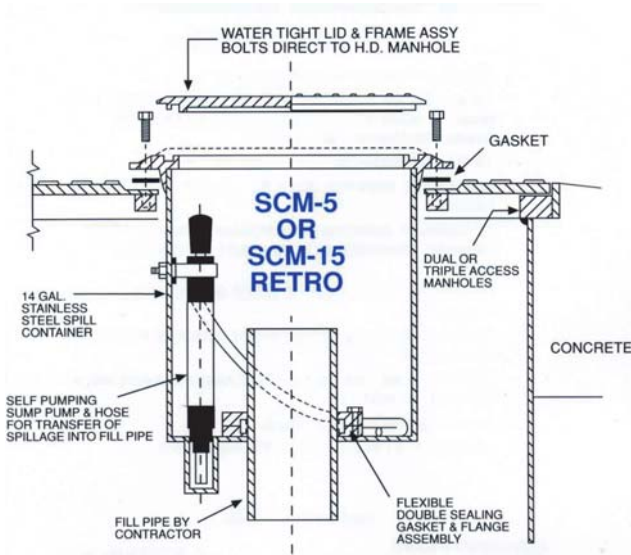
PHONE: 973-483-0100 FAX: 973-483-5333

www.fairfield-industries.com

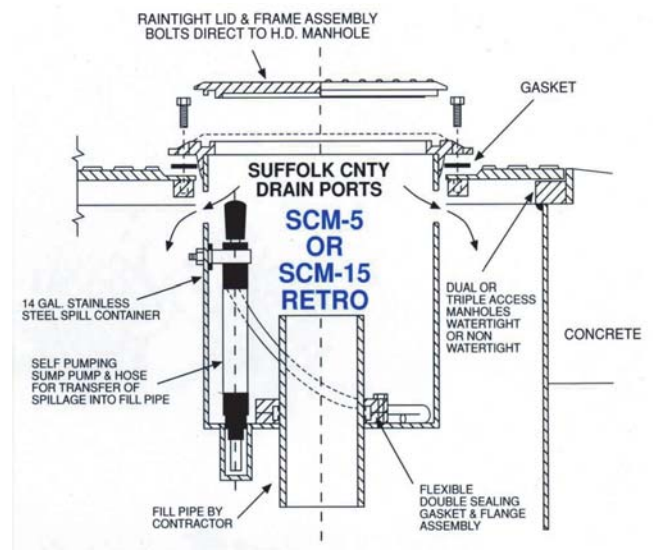
Copyright © 2008 Fairfield Industries, Inc. All rights reserved

OPTIONAL RETROFIT SPILL CONTAINMENT FOR MULTI-ACCESS MANHOLE INNER PORTS

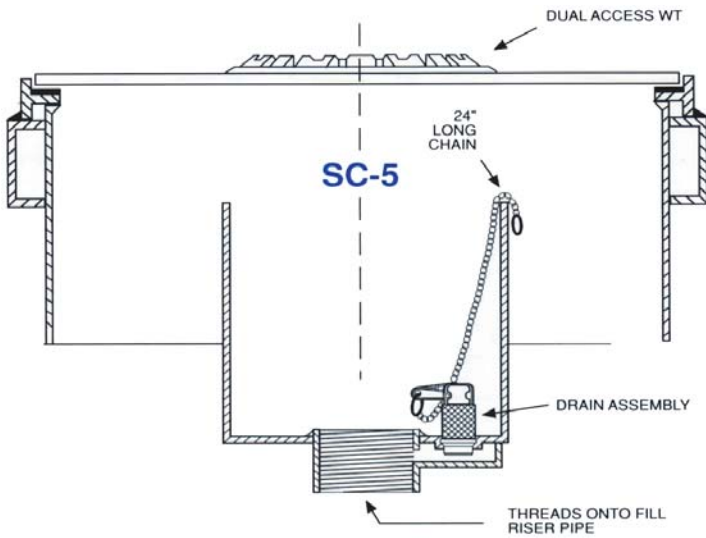
Optional Spill Containers can be ordered with Manholes for one or two ports as required. Four styles are available. **Note:** Add “WT” suffix to model numbers of SCM-5 Retro Series when adapting to watertight multi-access manholes.



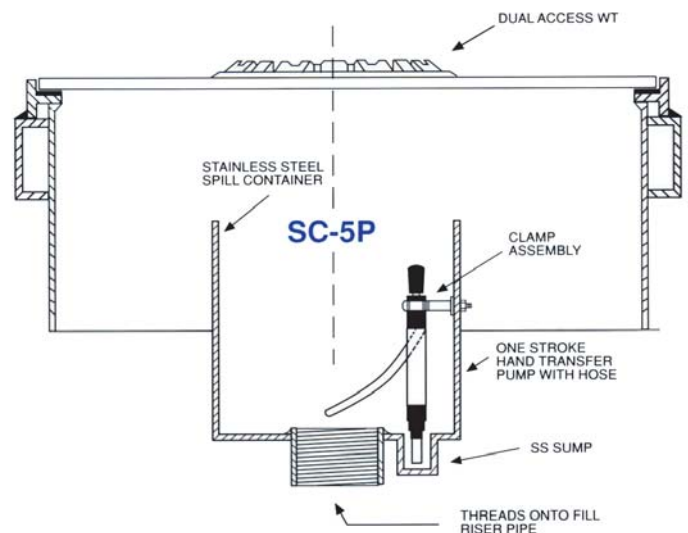
Standard “**SCM-5 RETRO**” Spill Containers mount directly to inner ports of multi-access manholes and seal around the outside of fill riser pipes. 5 or 15 gallon capacities available.



The “**SCM-5 Retro Suffolk**” is designed and mounts the same as the standard unit except includes drain ports in spill container which alleviates overflowing onto pavement and directs overflowing into lower tank sumps.



The “**SC-5 Spill Container**” screws directly onto fill riser pipes and is independent to multi-access manholes above. Spill containers are aligned under surface ports and include a drain valve for draining spillage directly into fill riser pipe.



The “**SC-5P**” Spill Container is the same design as the SC-5 except includes a one stroke hand pump for transferring spillage back into riser pipe.