

SPECIFICATIONS

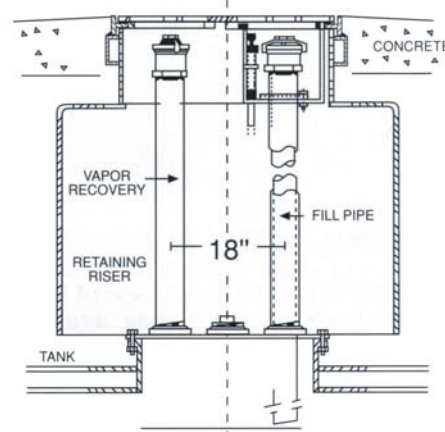
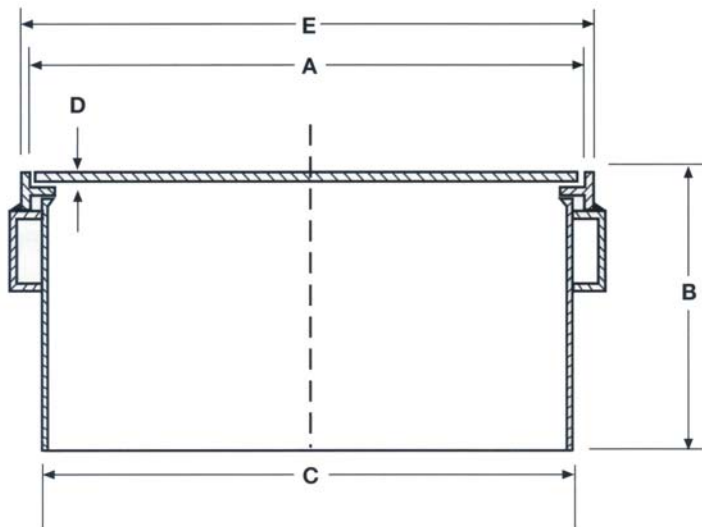
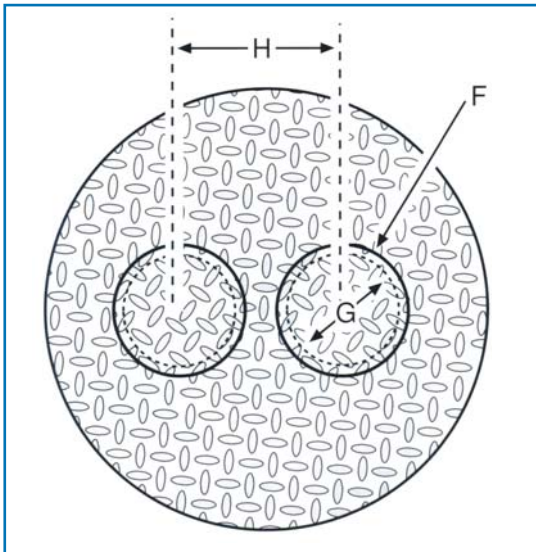
TRIPLE ACCESS

SERIES

MANHOLES

STANDARD FEATURES

- STEEL T-FRAME CONSTRUCTION.
- DIAMOND PLATE STEEL COVERS REINFORCED WITH 4" CHANNEL.
- H-20 TRUCKLOAD RATING .
- 14 GAUGE SKIRTS.
- RECESSED HANDLE(S) FOR EASE OF COVER REMOVAL.
- COMPLETE WELDED STEEL CONSTRUCTION.
- WATER TIGHT MANHOLES AVAILABLE, SEE WT SERIES.
- CHANNEL-STYLE CONCRETE ANCHORS.
- OPTIONAL SPILL CONTAINERS AVAILABLE FOR "INNER"



TYPICAL APPLICATIONS

- TRIPLE ACCESS MANHOLES ARE USED OVER USTs WHERE THREE ACCESS POINTS ARE REQUIRED, I.E., FILL PIPE, VAPOR RECOVER PICK UP AND TANK MANWAY ACCESS.
- GAUGE PORT ACCESS - LEVEL GAUGE ACCESS ETC .
- TYPICAL INSTALLATION DETAIL ABOVE IS SHOWN WITH OPTIONAL SCM-5 RETRO STAINLESS STEEL SPILL CONTAINER ON FILL PIPE PORT.
- VARIOUS PORT LOCATIONS AVAILABLE, SPECIFY WHEN ORDERING.
- ADDITIONAL PORTS AVAILABLE SEE QUAD ACCESS FOR THREE IN-INNER PORTS.

TRIPLE ACCESS DUAL PORT MANHOLES

MODEL	A	B	C	D	E	F	G	H
362	35 3/4"	13 1/2"	35"	1/2"	36 1/2"	16	14	18
382	38"	13 1/2"	37 1/2"	1/2"	38 1/2"	16	14	18
422	42"	13 1/2"	41 1/2"	1/2"	43"	16	14	18
482	48"	13 1/2"	46 1/2"	1/2"	49"	16	14	18

NOTE: A) SEE REVERSE SIDE FOR OPTIONAL RETRO SPILL CONTAINERS FOR INNER PORTS.

FAIRFIELD INDUSTRIES, INC.

827 NORTH 6TH STREET NEWARK, NJ 07107

PHONE: 973-483-0100 FAX: 973-483-5333

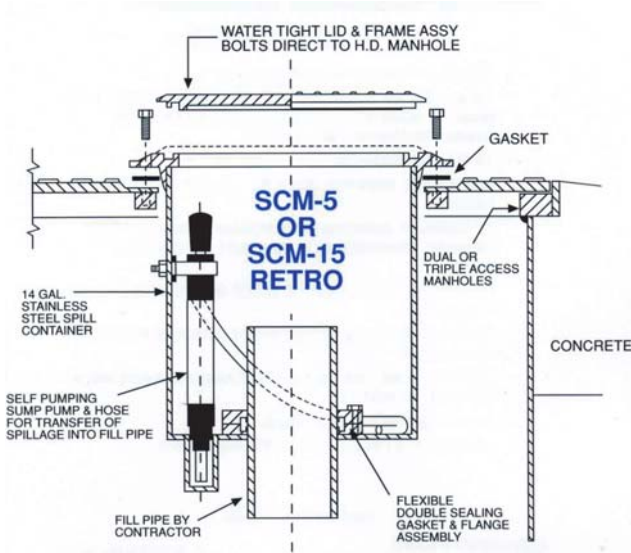
www.fairfield-industries.com

Copyright © 2008 Fairfield Industries, Inc. All rights reserved

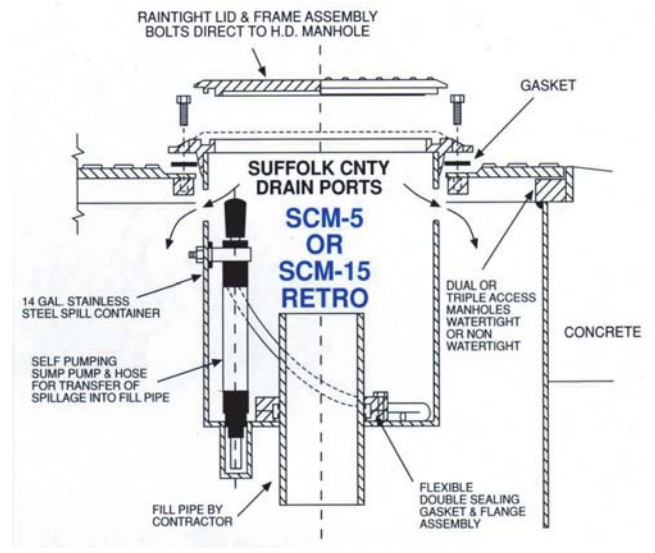
TRIPLE ACCESS HEAVY DUTY MANHOLES

OPTIONAL RETROFIT SPILL CONTAINMENT FOR MULTI-ACCESS MANHOLE INNER PORTS

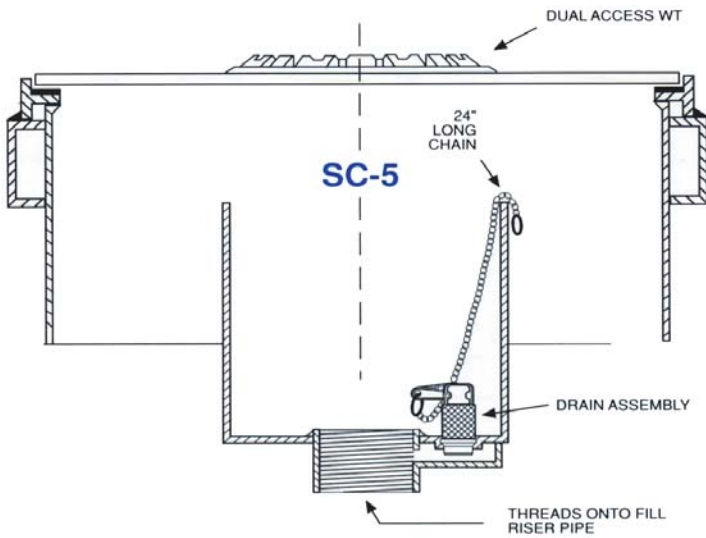
Optional Spill Containers can be ordered with Manholes for one or two ports as required. Four styles are available. **Note:** Add “WT” suffix to model numbers of SCM-5 Retro Series when adapting to watertight multi-access manholes.



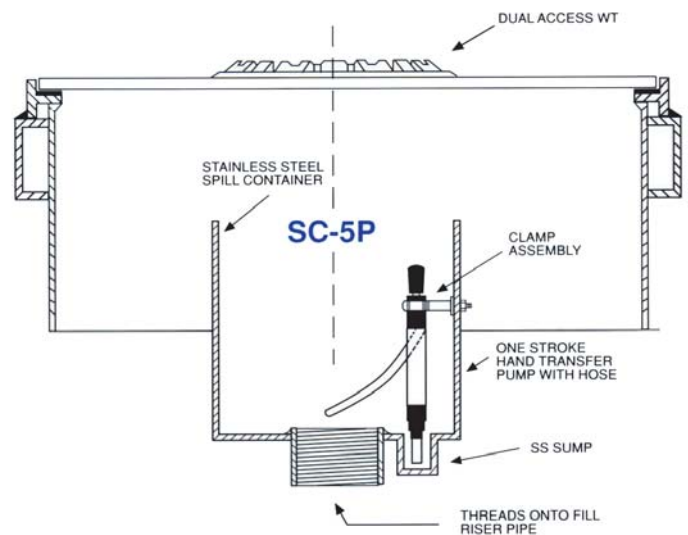
Standard “**SCM-5 RETRO**” Spill Containers mount directly to inner ports of multi-access manholes and seal around the outside of fill riser pipes. 5 or 15 gallon capacities available.



The “**SCM-5 Retro Suffolk**” is designed and mounts the same as the standard unit except includes drain ports in spill container which alleviates overflowing onto pavement and directs overflowing into lower tank sumps.



The “**SC-5 Spill Container**” screws directly onto fill riser pipes and is independent to multi-access manholes above. Spill containers are aligned under surface ports and include a drain valve for draining spillage directly into fill riser pipe.



The “**SC-5P**” Spill Container is the same design as the SC-5 except includes a one stroke hand pump for transferring spillage back into riser pipe.