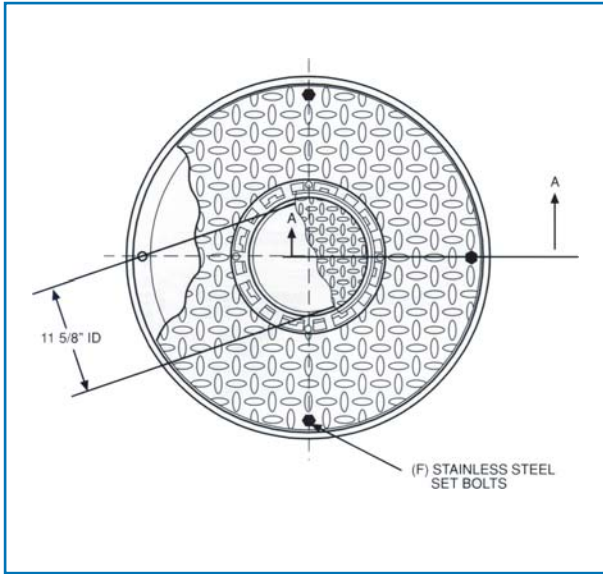


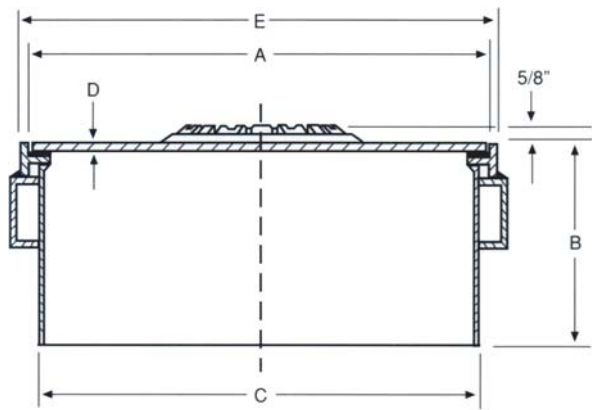
SPECIFICATIONS

WT SERIES DUAL ACCESS WATER TIGHT

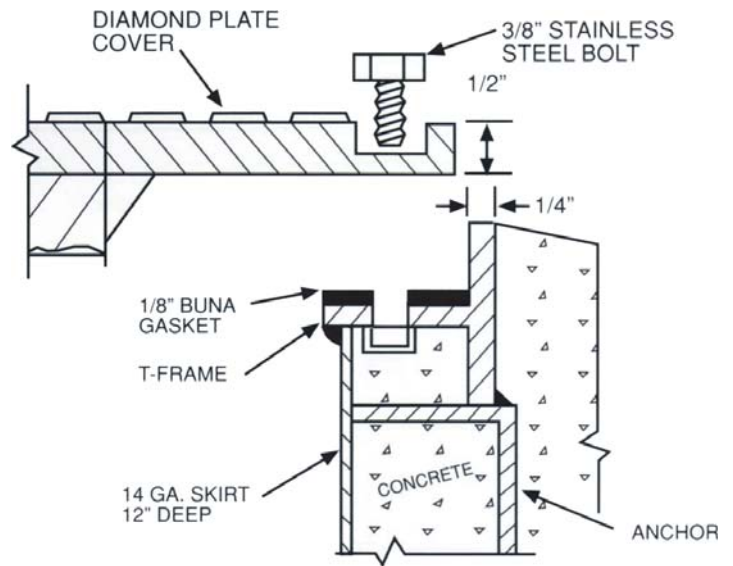


STANDARD FEATURES

- STEEL T-FRAME CONSTRUCTION.
- REINFORCED DIAMOND PLATE STEEL COVERS WITH H-20 TRUCKLOAD RATING .
- 1/8" BUNA-N GASKET & STAINLESS STEEL RECESSED BOLTS.
- 14 GAUGE SKIRTS.
- SPECIALLY DESIGNED RAIN TIGHT FRAME AND COVER ON INNER PORT CAST OF DUCTILE IRON.
- NO BOLTS TO HOLD DOWN INNER PORT.
- ALL STEEL COATED WITH RUST PREVENTIVE PAINT.
- SPECIFY LOCATION OF INNER PORT WHICH IS AVAILABLE ON DIFFERENT RADI. STD. INNER PORT LOCATION IS CENTERED.
- CHANNEL-STYLE CONCRETE ANCHORS ARE WELDED TO FRAMES AND SKIRTS FOR ANCHORING IN CONCRETE.



SECTION AA



DUAL ACCESS SINGLE PORT MANHOLES

MODEL	A	B	C	D	E	F
301 WT	29 3/4"	13 1/2"	28 3/4"	3/8"	30 3/4"	(4) QTY
361 WT	35 3/4"	13 1/2"	35"	1/2"	36 1/2"	(4) QTY
381 WT	38"	13 1/2"	37 1/2"	1/2"	38 1/2"	(4) QTY
421 WT	42"	13 1/2"	41 1/2"	1/2"	43"	(4) QTY
481 WT	48"	13 1/2"	46 1/2"	1/2"	49"	(6) QTY

MODEL NO: WT DUAL ACCESS

WT SERIES
DUAL ACCESS
WATER TIGHT
MANHOLES

NOTE: SEE REVERSE SIDE FOR OPTIONAL RETRO SPILL CONTAINMENT DEVICES FOR INNER PORTS.

FAIRFIELD INDUSTRIES, INC.

827 NORTH 6TH STREET NEWARK, NJ 07107

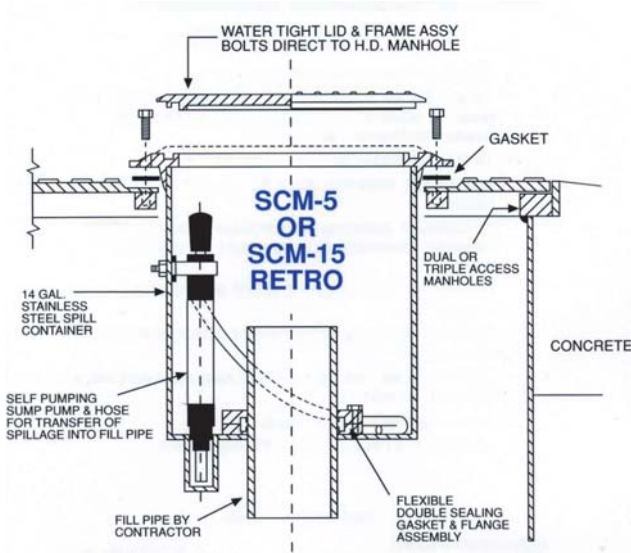
PHONE: 973-483-0100 FAX: 973-483-5333

www.fairfield-industries.com

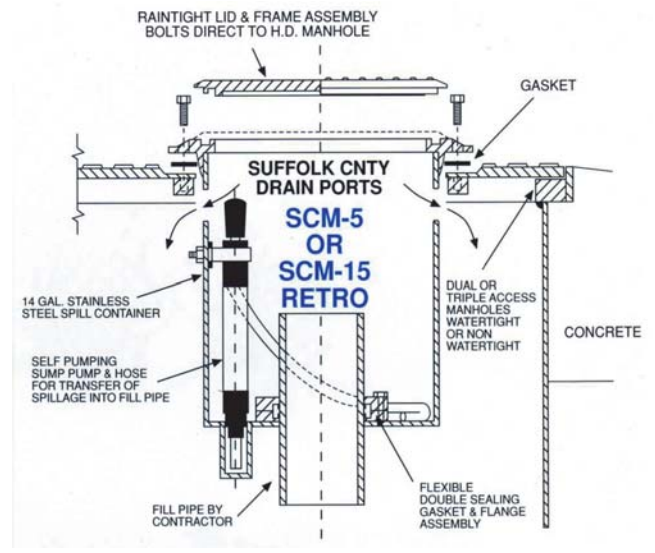
Copyright © 2008 Fairfield Industries, Inc. All rights reserved

OPTIONAL RETROFIT SPILL CONTAINMENT FOR MULTI-ACCESS MANHOLE INNER PORTS

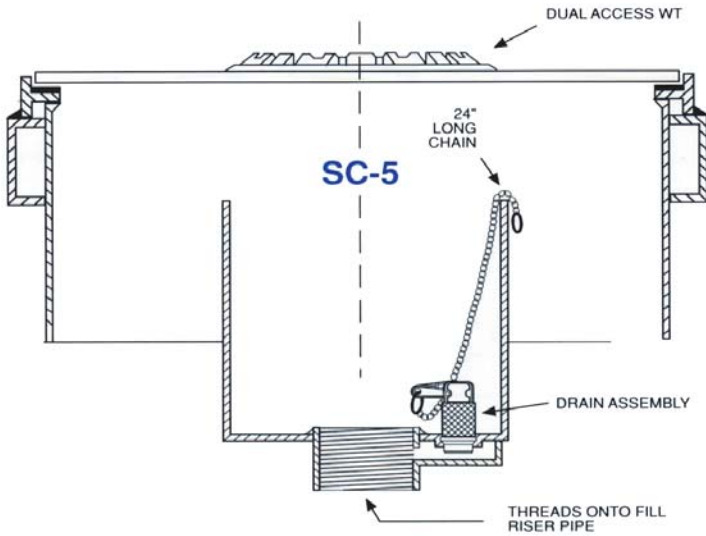
Optional Spill Containers can be ordered with Manholes for one or two ports as required. Four styles are available. **Note:** Add “WT” suffix to model numbers of SCM-5 Retro Series when adapting to watertight multi-access manholes.



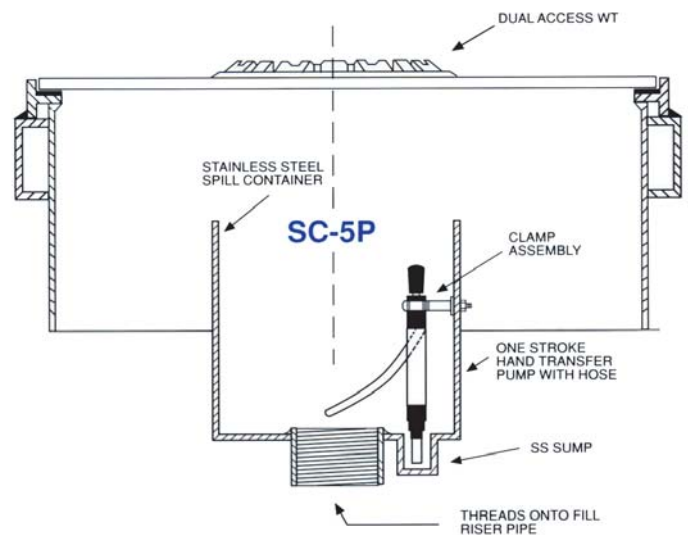
Standard “**SCM-5 RETRO**” Spill Containers mount directly to inner ports of multi-access manholes and seal around the outside of fill riser pipes. 5 or 15 gallon capacities available.



The “**SCM-5 Retro Suffolk**” is designed and mounts the same as the standard unit except includes drain ports in spill container which alleviates overflowing onto pavement and directs overflowing into lower tank sumps.



The “**SC-5 Spill Container**” screws directly onto fill riser pipes and is independent to multi-access manholes above. Spill containers are aligned under surface ports and include a drain valve for draining spillage directly into fill riser pipe.



The “**SC-5P**” Spill Container is the same design as the SC-5 except includes a one stroke hand pump for transferring spillage back into riser pipe.