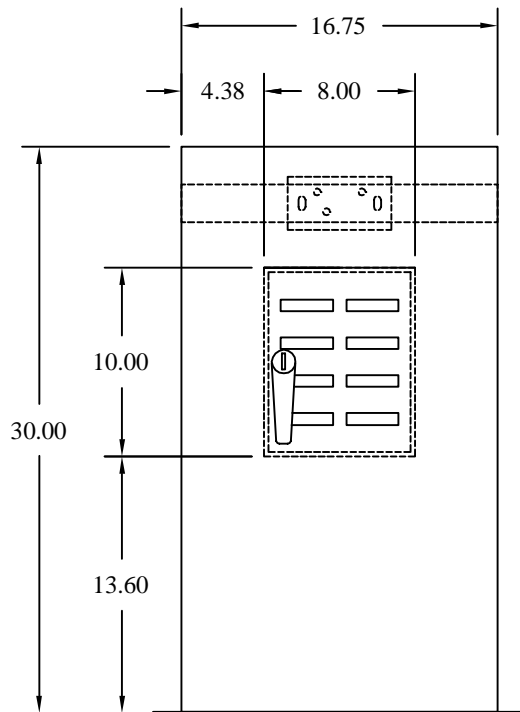
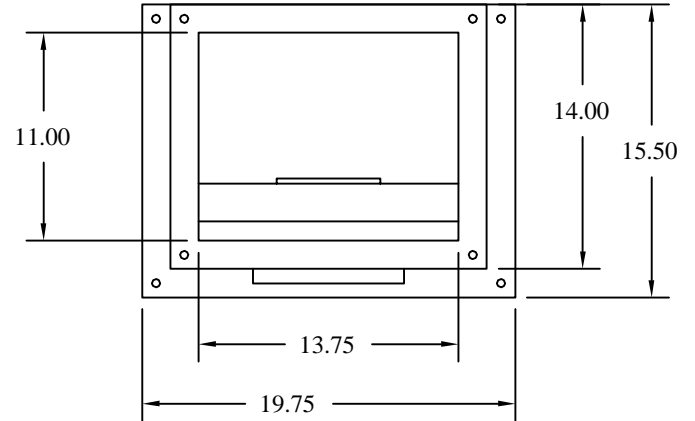
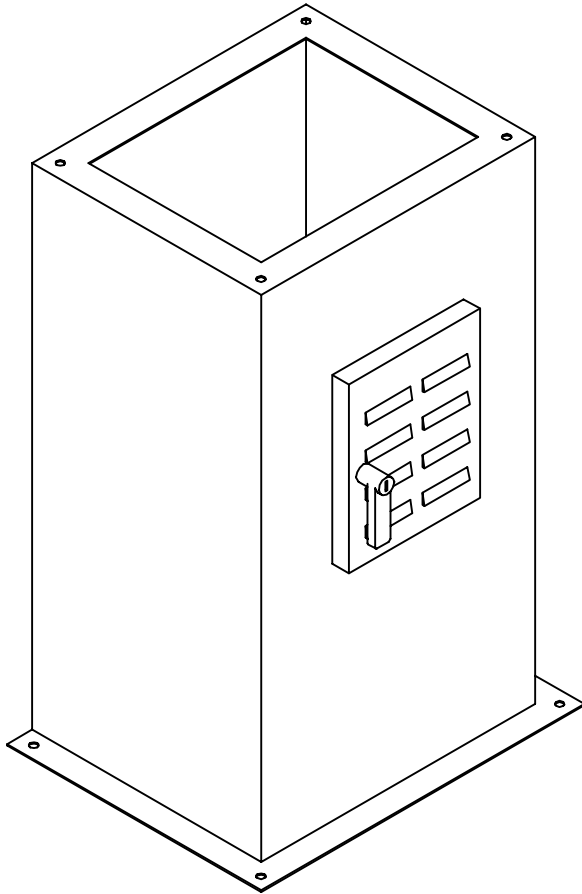


# DP-S1

## DISPENSER PLATFORM FOR THE WAYNE S1



**NOTES:**

- ALL WELDED STAINLESS STEEL CONSTRUCTION
- 11GA. SPILL CAPACITY
- STANDARD UNI-STRUT STYLE SHEAR VALVE MOUNTING BRACKET
- 3/4" NPT DRAIN PLUG
- 8"x10" DOORWAY
- FOUR (4) 7/16" ANCHOR HOLES
- FOUR (4) 7/16" DISPENSER MOUNTING HOLES

**MODEL: DP-S1**

DATE: 7/16/09

**FAIRFIELD INDUSTRIES, INC.**

827 NORTH 6TH STREET, NEWARK, NJ 07107

PHONE: 973-483-0100 FAX: 973-483-5333

[www.fairfield-industries.com](http://www.fairfield-industries.com)

Copyright© Fairfield Industries, Inc. All rights reserved.

DISPENSER PLATFORM FOR  
THE WAYNE S1