

RFP24 SERIES

REMOTE FILL PORT

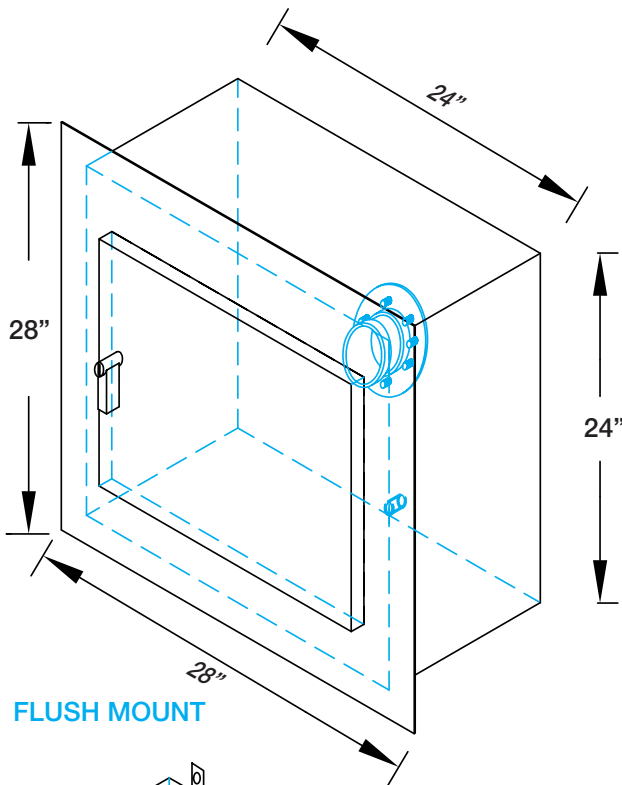
The RFP-24 series Remote Fill Containment Port is designed as a tank fill piping termination point for external building wall applications. These remote fill containment ports are available in 12" or 18" depths and are designed to capture spills that occur during tank filling operations. The containment ports are constructed of stainless steel, have 7 gallon leak capacity and are available in weather tight flush or wall mount designs. Standard construction includes a hinged and gasketed access door with locking handle for restricted access. All containment ports are fitted with a 3/4" drain fitting for manually draining any spillage from containment area. Units are supplied with a single flexible penetration fitting shipped loose for field installation where required. Optional internal mounting plates or conduit fittings are available on request. Custom configurations are also available on request.

STANDARD FEATURES

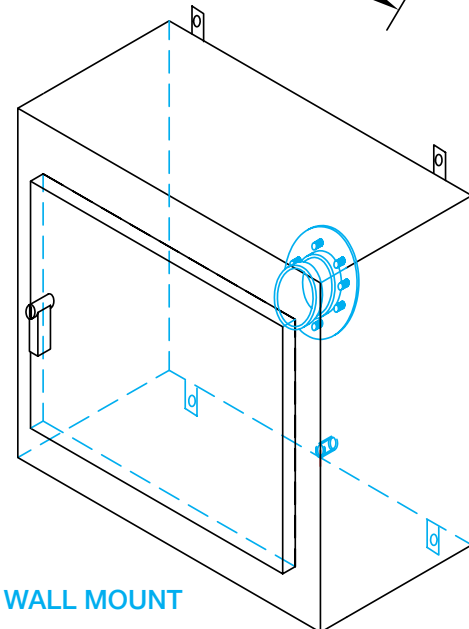
- 12" or 18" Deep Spill Compartment.
- 14 gauge Stainless Steel Construction.
- Rotational 3-POINT Locking Handle.
- Hinged Access Door with Gasket.
- Flexible Entry Boot for Ease of Installation (available in 1 1/2", 2', 3', 4").
- 3/4" NPT drain connection.

OPTIONAL FEATURES

- 3/4" NPT coupling for electrical connections.
- 8" by 13" mounting plate.
- Stainless Steel Pad-Locking Hasp.



FLUSH MOUNT



WALL MOUNT

MODEL	QTY. PORTS	SIZE H x W	SPECIFY DEPTH	MOUNTING FLUSH/WALL	ENTRY SIZE	DESCRIPTION
RFP24-1	1	24"x24"	12"/18"	F/W	1 1/2"-4"	Remote Fill Port w/ Flex Entry Boot
RFP24-2	2	24"x24"	12"/18"	F/W	1 1/2"-4"	Remote Fill Port w/ Flex Entry Boots
RFP24-3	3	24"x36"	12"/18"	F/W	1 1/2"-4"	Remote Fill Port w/ Flex Entry Boots
RFP24-4	4	24"x48"	12"/18"	F/W	1 1/2"-4"	Remote Fill Port w/ Flex Entry Boots

PATENT PENDING

MODEL NO.: RFP24 SERIES

DWG NO.: RFP24

DATE: 2/23/04

**RFP24 SERIES
WALL MOUNTED
HORIZONTAL REMOTE
FILL CONTAINMENT PORTS**

NOTES:

FAIRFIELD INDUSTRIES, INC.

827 NORTH SIXTH STREET, NEWARK, NJ 07107

973-483-0100 FAX 973-483-5333

website: www.fairfield-industries.com