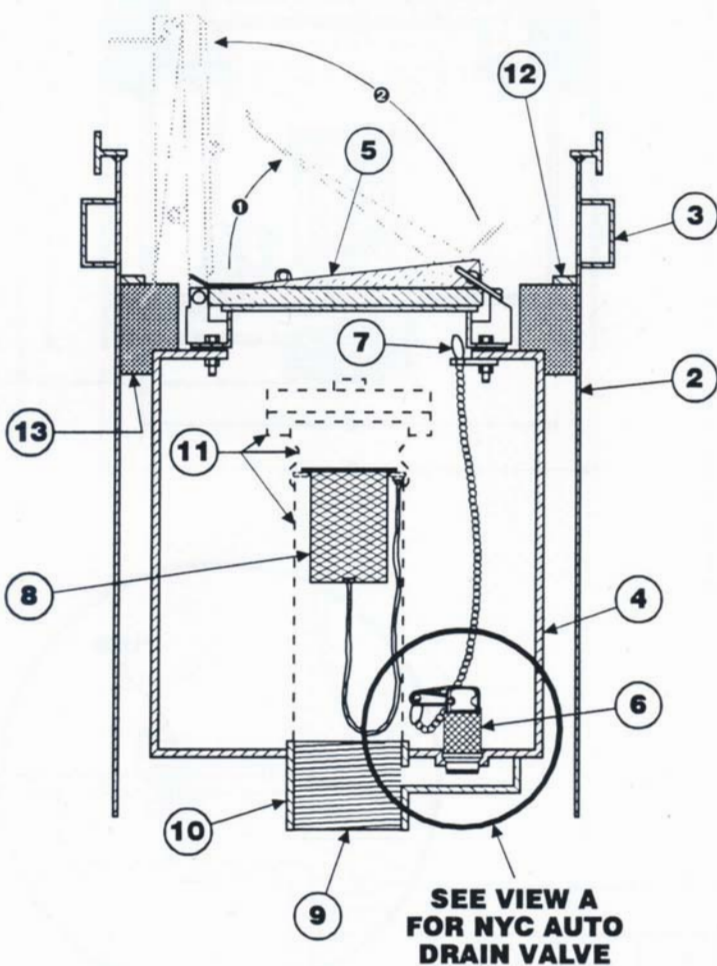
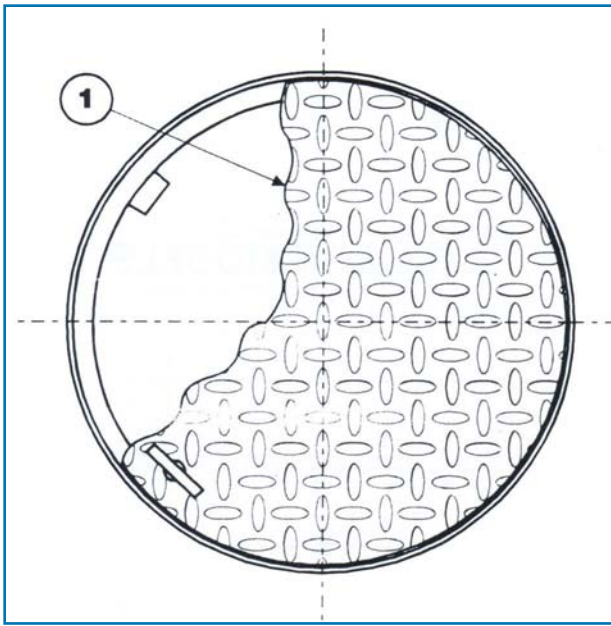


BG SERIES

BELOW GRADE SPILL MANHOLES

STANDARD FEATURES

- Street Access Manhole with Diamond Plate Steel Cover, Steel T-Frame, for H-20 Truck Load Rating. All Coated with Rust Preventive Paint and Lifting Handle.
- 14 Ga. Steel Skirt Extra Long for Spill Container Protection and Frost Heaving.
- Concrete Channel Anchors for Anchoring into Concrete Slab.
- 14 Ga. Stainless Steel Spill Containment Chamber. Available in 5 and 15 Gallon Capacities.
- Hinged, Waterproof Spill Containment Cover Eliminates Water and Debris. Lockable for Restricted Access.
- Lever Actuated Pull-to-Open Drain Valve for Draining Spillage back to UG Tank. See View a for NYC Auto Drain Valve.
- Drain Valve Pull Chain for Easy Access.
- Optional Flame Arrestor Screen and Hanger Assembly for N.Y. City Models Only.
- 4" NPT Female Adaptors for Piping.
- Finished Exterior for Adapting to Double Wall Piping Systems.
- Riser Pipe, Brass Adaptor and Cap by Installing Contractor.
- Installation Tabs for Proper Depth of Installation.
- Installation Blocks for Proper Centering and Height Adjustment Discarded After Installation.



SEE VIEW A
FOR NYC AUTO
DRAIN VALVE

MODEL NO. BG

Spill Containment
Manholes
5 Gallon & 15 Gallon
Capacities

Note: N.Y.C. Models Require Auto Drain Valve, Flame Arrestor, Screen and C of A Identification Tag on Top.

FAIRFIELD INDUSTRIES, INC.

827 NORTH 6TH STREET NEWARK, NJ 07107

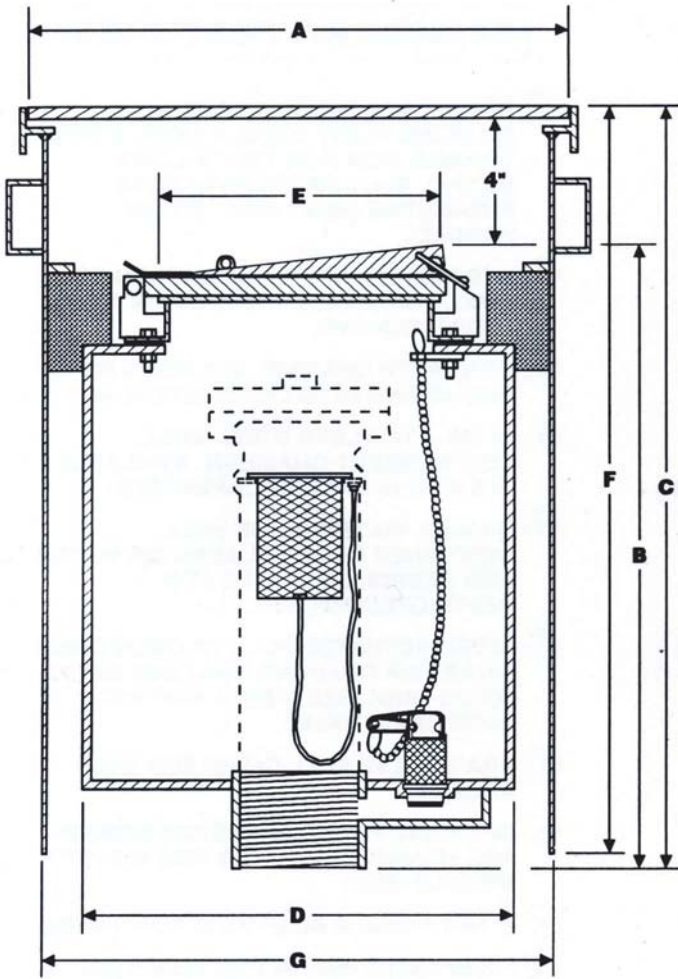
PHONE: 973-483-0100 FAX: 973-483-5333

www.fairfield-industries.com

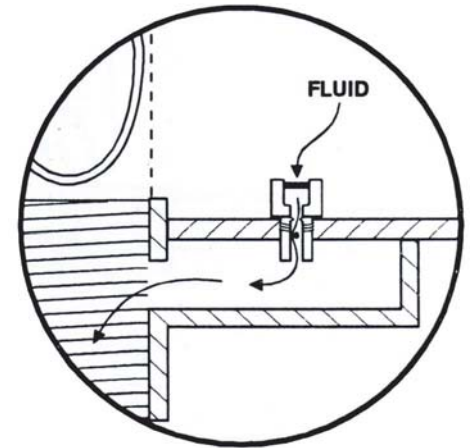
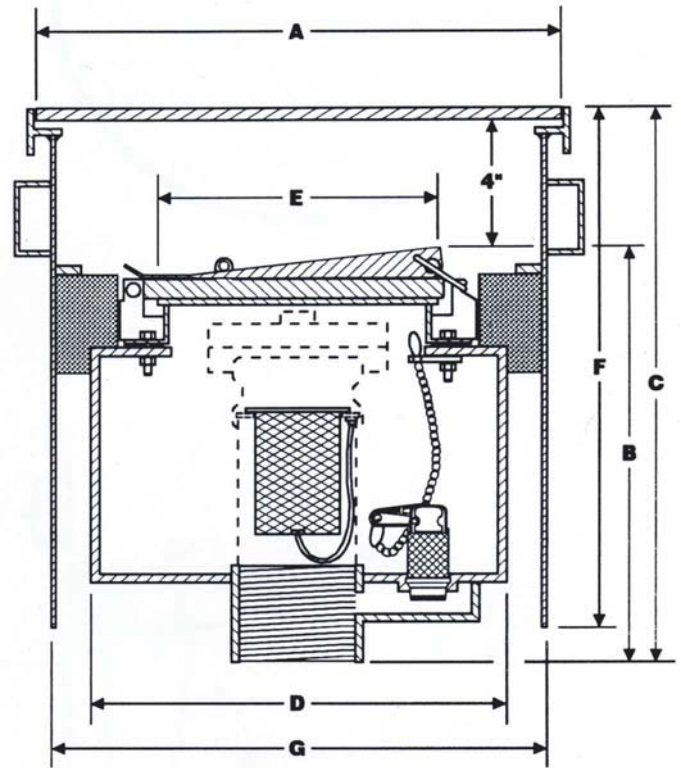
Copyright © 2009 Fairfield Industries, Inc. All rights reserved

SPECIFICATIONS

15 GALLON MODELS



5 GALLON MODELS



VIEW A NOTE

Auto Drain Valve Allows Fluid to Automatically Drain into Fill Riser When Spillage Occurs.

BG SERIES SPILL CONTAINERS

MODEL	MODEL	A	B	C	D	E	F	G
BGSC-5	5 Gal.	18"	14 3/4"	19 1/4"	14"	10"	18"	17"
BGSC-15	15 Gal.	20"	23"	27 1/2"	16 1/2"	10"	27"	19 1/2"
BGSC-5 NYC	5 Gal.	18"	14 3/4"	19 1/4"	14"	10"	18"	17"
BGSC-15 NYC	15 Gal.	20"	23"	27 1/2"	16 1/2"	10"	27"	19 1/2"

Note: A) All BG Series Spill Containers Include Surface Street Manholes as Shown Above.

B) Surface Manholes Ordered Separately are as Follows:

5 Gal. = Model # 180-18/BG and 15 Gal. = Model #200-28/BG

FAIRFIELD INDUSTRIES, INC.

827 NORTH 6TH STREET NEWARK, NJ 07107

PHONE: 973-483-0100 FAX: 973-483-5333

www.fairfield-industries.com

Copyright © 2008 Fairfield Industries, Inc. All rights reserved