

# RFTC SERIES

## REMOTE FILL CONTAINMENT TERMINATION CHAMBER

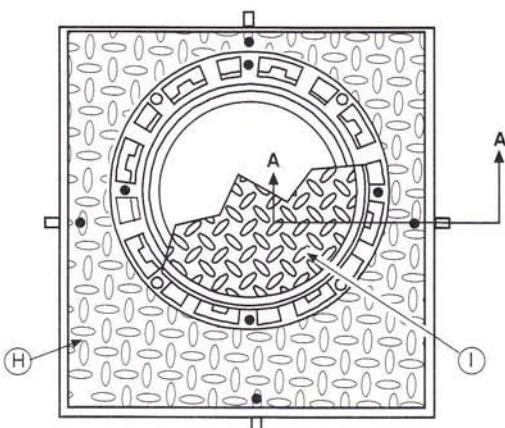
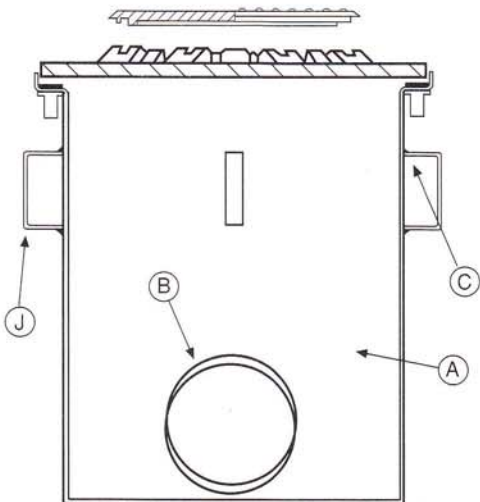
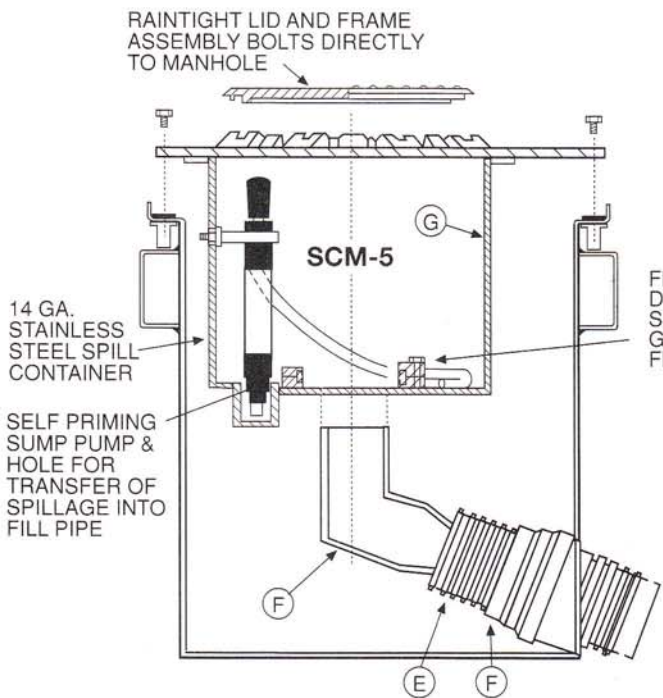
### SPECIFICATIONS

The (RFTC) Remote Fill Spill Containment/Termination Chamber is utilized in flexible piping systems for the remote filling of underground storage tanks. The RFTC offers a unitized termination chamber for flex pipe termination fittings along with a spill containment manhole for the remote fill point compliance.

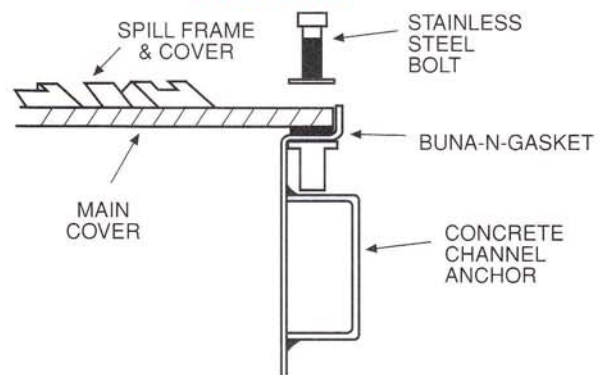
The termination chamber is constructed of stainless steel with a sleeved inlet port for adapting to flex pipe termination fittings. The top chamber cover is diamond plate steel reinforced for H-20 truckload rating with a Buna-n perimeter seal for watertight construction. Mounted into the top cover is a removable 2", 3", or 4" SCM-5 stainless steel slip-on 5 gallon spill container. The spill container houses the remote fill connection which is accessed through the ductile iron rain-tight frame and cover. The containment/termination chamber also provides secondary containment for the spill container mounted at grade level.

### FEATURES

- A. STAINLESS STEEL 14 GA. SECONDARY CONTAINMENT/TERMINATION CHAMBER.
- B. SLEEVED INLET PORT/ACCEPTS SECONDARY PIPING.
- C. 1/8" BUNA-N GASKET.
- D. SECONDARY PIPING CLOSE OFF COUPLER. (BY CONTRACTOR)
- E. PRIMARY PIPING. (BY CONTRACTOR)
- F. STAINLESS STEEL FILL ADAPTER ELBOW STD. 4" FOR TOTAL CONTAINMENT PRIMARY PIPING.
- G. SCM-5 5-GALLON STAINLESS STEEL REMOVABLE SPILL CONTAINER W/ COMPRESSION SEAL AND ONE STROKE TRANSFER PUMP (see back page for details).
- H. REMOVABLE CONTAINMENT CHAMBER COVER MADE OF 3/8" DIAMOND PLATE, H-20 TRUCK LOAD RATED, BOLTED AND GASKETED/WATER TIGHT.
- I. RAIN TIGHT FRICTION FITTED DUCTILE IRON FRAME & COVER INNER PORT.
- J. CHANNEL ANCHORS FOR ANCHORING INTO CONCRETE



### SECTION AA



MODEL NO.: **RFTC-5**

DWG NO.: RFTC

DATE: 8/99

NOTES: A. RFTC-5 IS STD. 4"

**RFTC REMOTE FILL  
CONTAINMENT TERMINATION**

**FAIRFIELD INDUSTRIES, INC.**