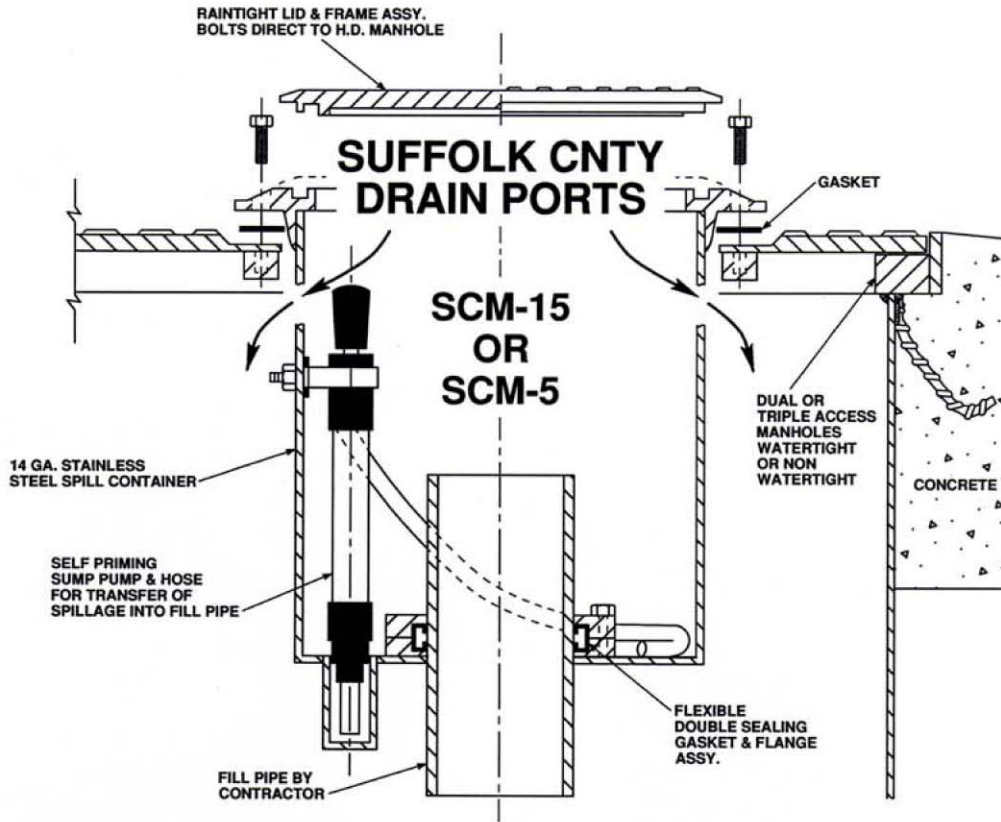


OPTIONAL RETROFIT SPILL CONTAINMENT



FEATURES

- Specially designed raintight frame & cover assembly case of durable ductile iron
- Flexible double sealing victauc BUNA-N seal & flange assy. Allows for tilting with grades
- Chemical seals available
- 14 Gauge stainless steel container construction
- 5 or 15 gallon std. capacities larger capacities on request
- Manual one stroke pump & hose assy. for transfer
- 4" std. 6", 3" and 2" fill pipe sizes also available
- SCM-RETRO series 5 and 15 gallon spill containers must be specified when ordering dual or triple access manholes. Available for any inner access port.

MODEL NO.:	SCALE: NONE	DWG NO.:	DATE:
------------	-------------	----------	-------

NOTES:

**OPTIONAL RETROFIT
SPILL CONTAINMENT -
SUFFOLK CNTY DRAIN PORTS**

FAIRFIELD INDUSTRIES, INC.

827 NORTH 6TH STREET NEWARK, NJ 07107

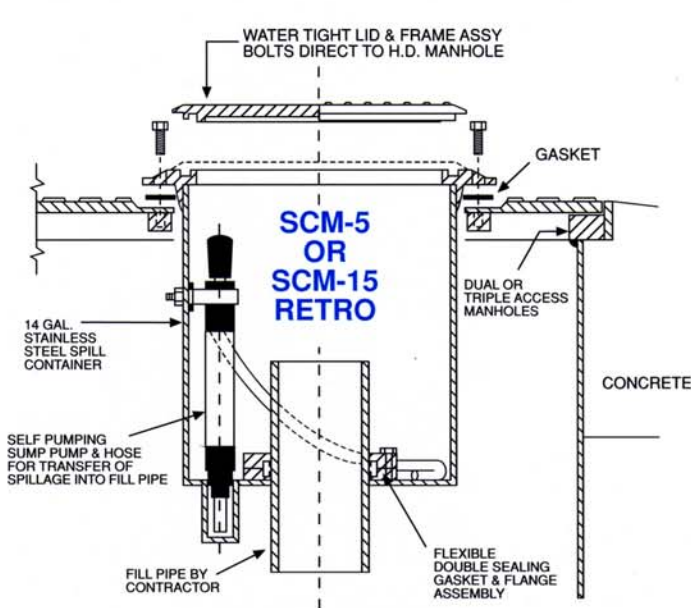
PHONE: 973-483-0100 FAX: 973-483-5333

www.fairfield-industries.com

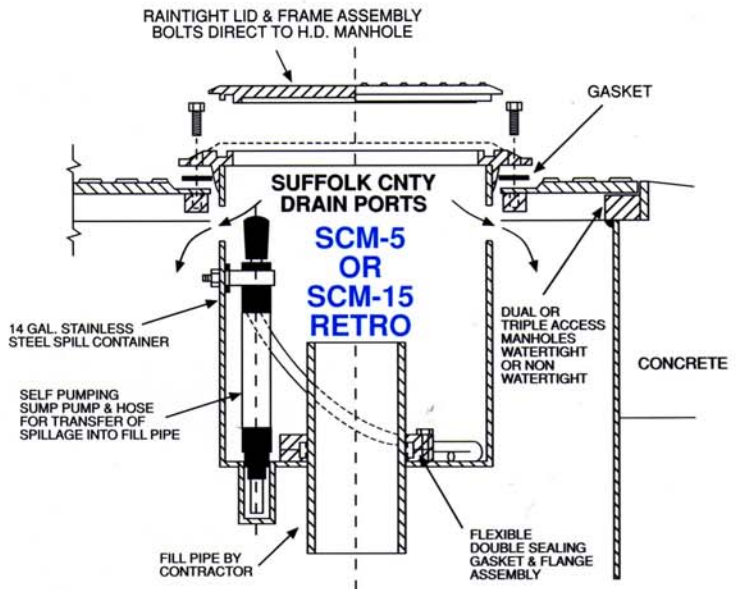
Copyright © 2009 Fairfield Industries, Inc. All rights reserved

OPTIONAL RETROFIT SPILL CONTAINMENT FOR MULTI-ACCESS MANHOLE INNER PORTS

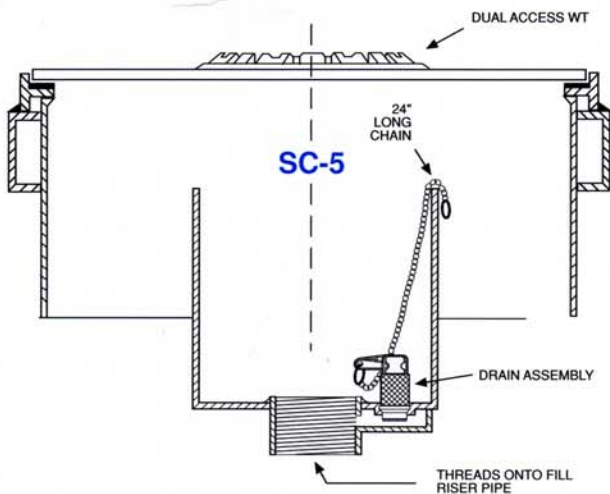
Optional Spill Containers can be ordered with Manholes for one or two ports as required. Four styles are available. **Note:** Add "WT" suffix to model numbers of SCM-5 Retro Series when adapting to watertight multi-access manholes.



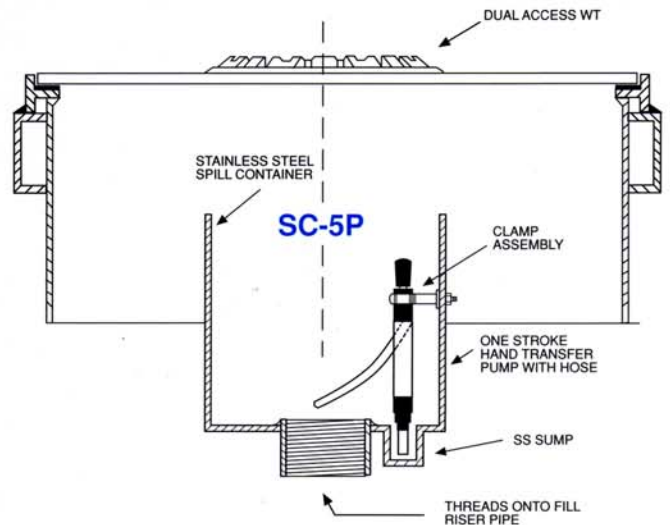
Standard "SCM-5 RETRO" Spill Containers mount directly to inner ports of multi-access manholes and seal around the outside of fill riser pipes. 5 or 15 gallon capacities available.



The "SCM-5 Retro Suffolk" is designed and mounts the same as the standard unit except includes drain ports in spill container which alleviates overfilling onto pavement and directs overfilling into lower tank sumps.



The "SC-5" Spill Container screws directly onto fill riser pipes and is independent to multi-access manholes above. Spill containers are aligned under surface ports and include a drain valve for draining spillage directly into fill riser pipe.



The "SC-5P" Spill Container is the same design as the SC-5 except includes a one stroke hand pump for transferring spillage back into riser pipe.