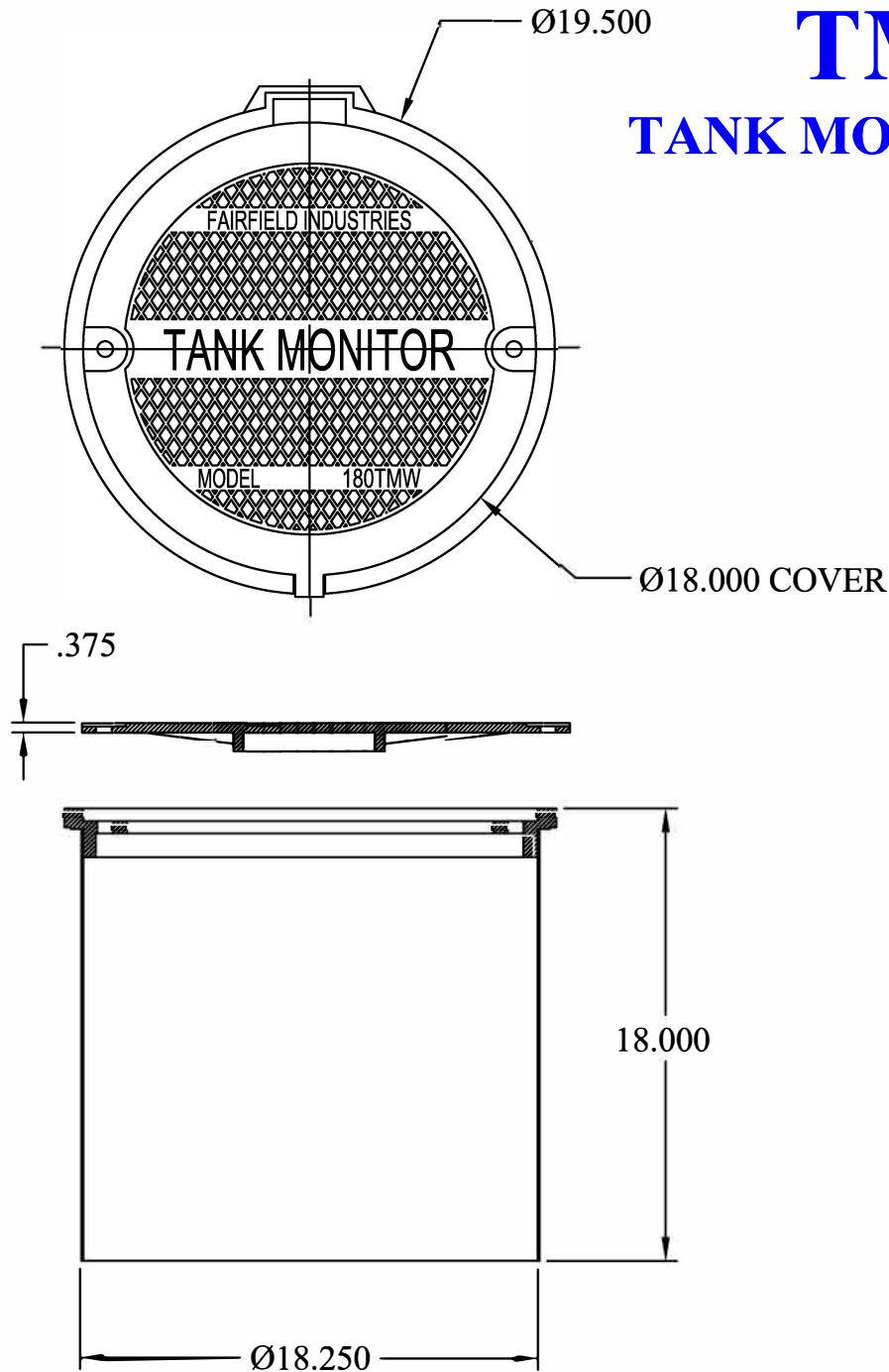


# TMW SERIES

## TANK MONITOR MANHOLE: 180-TMW-18



### FEATURES:

1. 14 GA. CARBON STEEL SKIRT, 18.25" OPENING, 18" DEEP
2. SELF-ALIGNING COVER AND BOLT HOLES FOR EASE OF INSTALLATION.
3. DUCTILE IRON FRAME AND COVER
4. STAINLESS STEEL HARDWARE
5. .125" THICK BUNA-N GASKET
6. "TANK MONITOR" LABEL CAST INTO COVER
7. H-20 TRUCK-LOAD RATING
8. ALL STEEL COATED WITH A RUST PREVENTATIVE PAINT

This document is proprietary and confidential. No part of this document may be disclosed in any manner to a third party without the prior written consent of Fairfield Industries

#### DO NOT SCALE DRAWING

UNLESS OTHERWISE SPECIFIED, DIMENSIONS ARE IN INCHES.

TOLERANCES ON ANGLES:  $\pm 1^\circ$   
 FRACTIONAL:  $\pm 1/64$   
 2-PLACE DECIMALS:  $\pm 0.05$   
 3-PLACE DECIMALS:  $\pm 0.005$

THIRD ANGLE PROJECTION



**FAIRFIELD INDUSTRIES**  
 4483 CHOPPEE ROAD, GEORGETOWN SC 29440  
 PHONE: 843-461-3894 FAX: 843-461-3907

DESCRIPTION:  
 TANK MONITOR MANHOLE 180.TMW-18

SIZE	SCALE	DWG. NO.	C.REV	REV.
A	NTS	D061020-5		1
DRAWN BY		DATE	SHT.	
D. NETTLES		06/10/20	1 of 1	