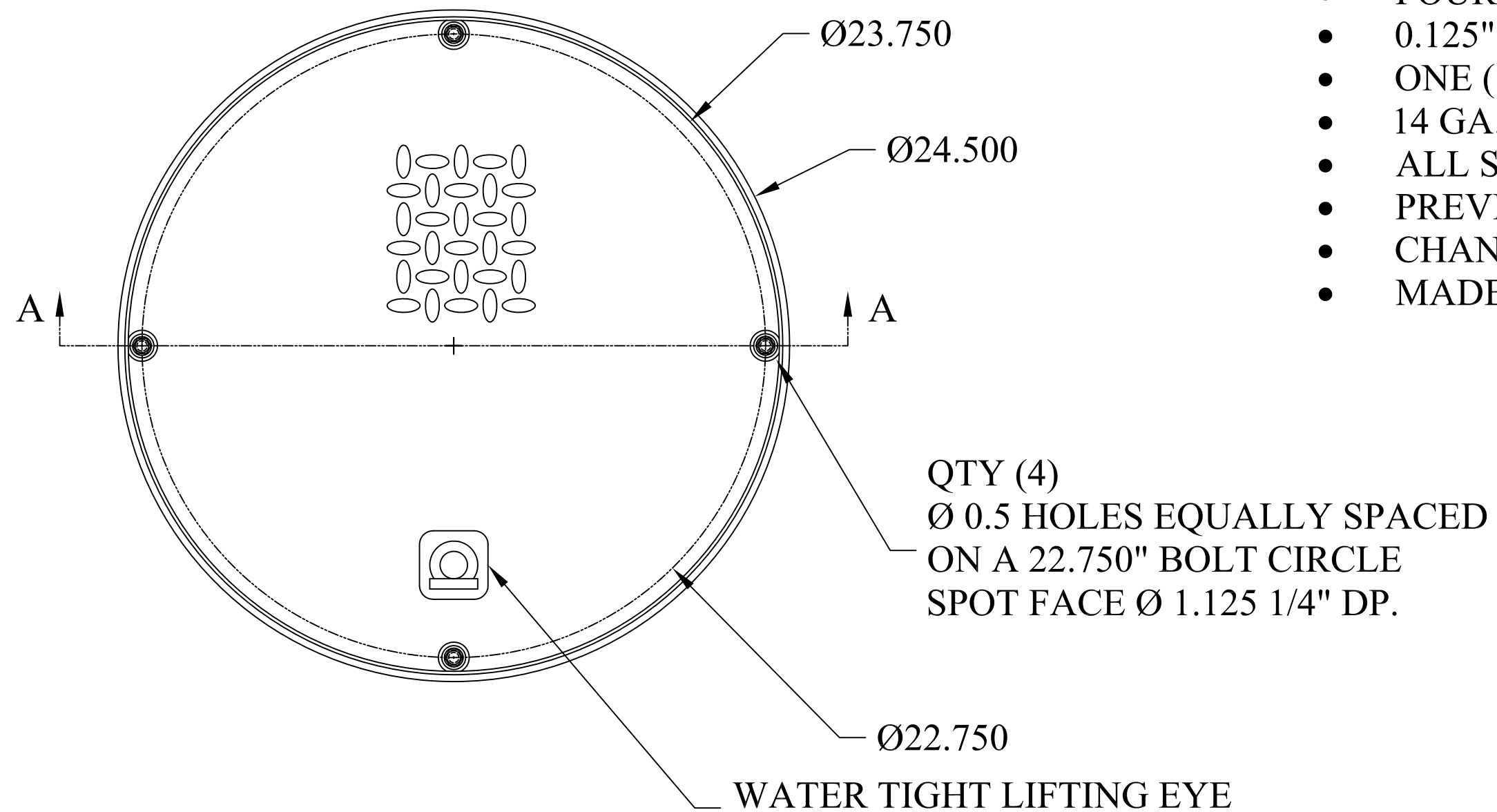
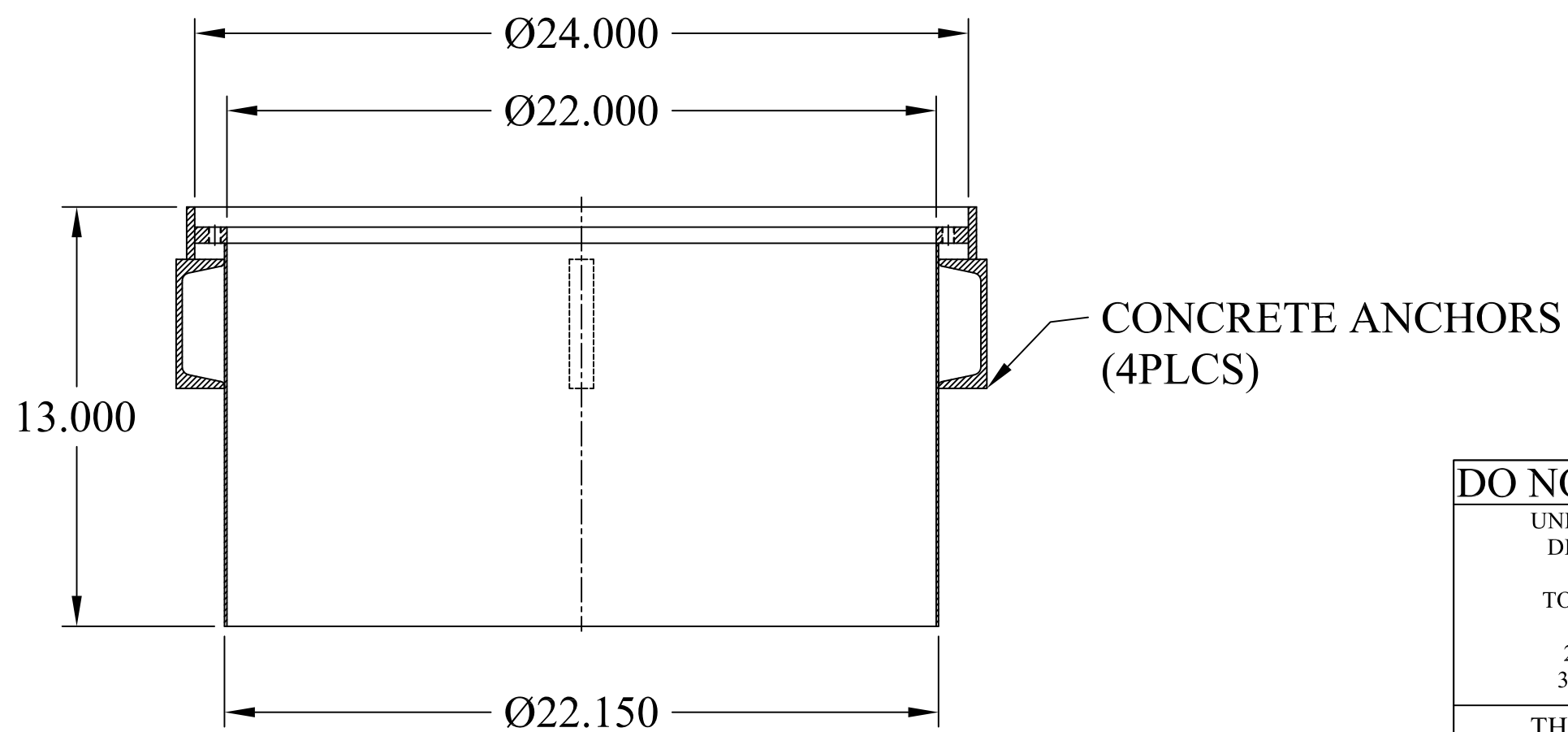
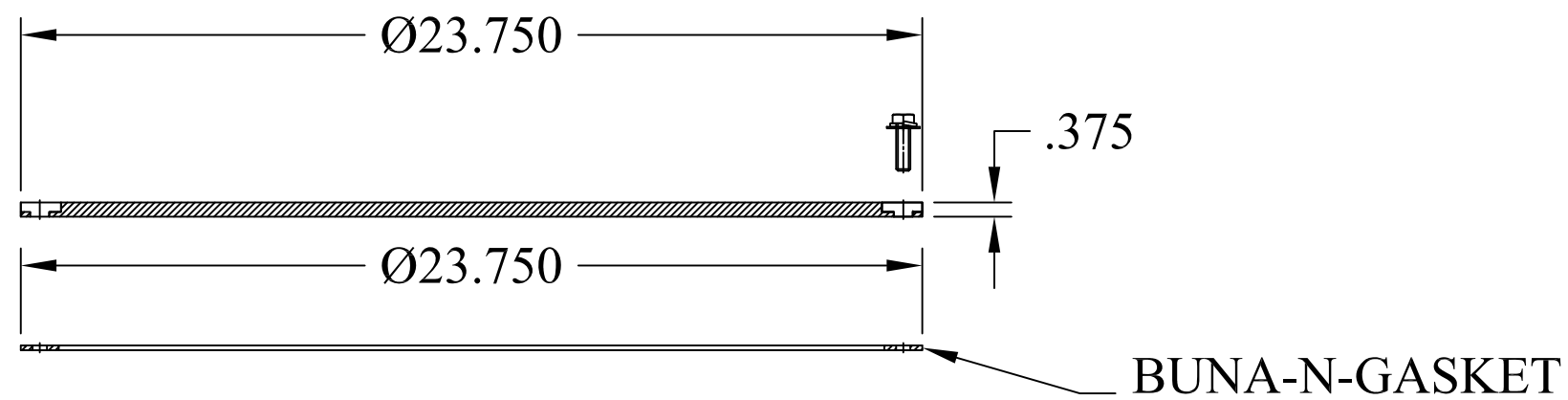


**FEATURES:**

- STEEL T-FRAME CONSTRUCTION
- 0.375 THK. DIAMOND PLATE COVER WITH H-20 TRUCK LOAD RATING
- FOUR (4) STAINLESS STEEL HEX BOLTS
- 0.125" THK. BUNA-N GASKET
- ONE (1) RECESSED LIFTING EYE
- 14 GA. CARBON STEEL SKIRT
- ALL STEEL COATED WITH A RUST PREVENTATIVE PAINT
- CHANNEL-STYLE CONCRETE ANCHORS
- MADE IN USA



QTY (4)  
 $\text{Ø} 0.5$  HOLES EQUALLY SPACED  
 ON A 22.750" BOLT CIRCLE  
 SPOT FACE  $\text{Ø} 1.125$  1/4" DP.



SECTION A-A

This document is proprietary and confidential. No part of this document may be disclosed in any manner to a third party without the prior written consent of Fairfield Industries

<b>DO NOT SCALE DRAWING</b>		<b>FAIRFIELD INDUSTRIES, INC</b>			
UNLESS OTHERWISE SPECIFIED, DIMENSIONS ARE IN INCHES.		4483 CHOPPEE ROAD, GEORGETOWN SC 29440			
TOLERANCES ON ANGLES: $\pm 1^\circ$		PHONE: 843-461-3894		FAX: 843-461-3907	
FRACTIONAL: $\pm 1/64$		DESCRIPTION			
2-PLACE DECIMALS: $\pm 0.05$		<b>240-WT</b>			
3-PLACE DECIMALS: $\pm 0.005$		SIZE	SCALE	DWG. NO	C.REV
THIRD ANGLE PROJECTION		C	NTS	D101618-1	-
		DRAWN BY	DATE	SHT	REV
		D. NETTLES	10/16/18	1 OF 1	1