

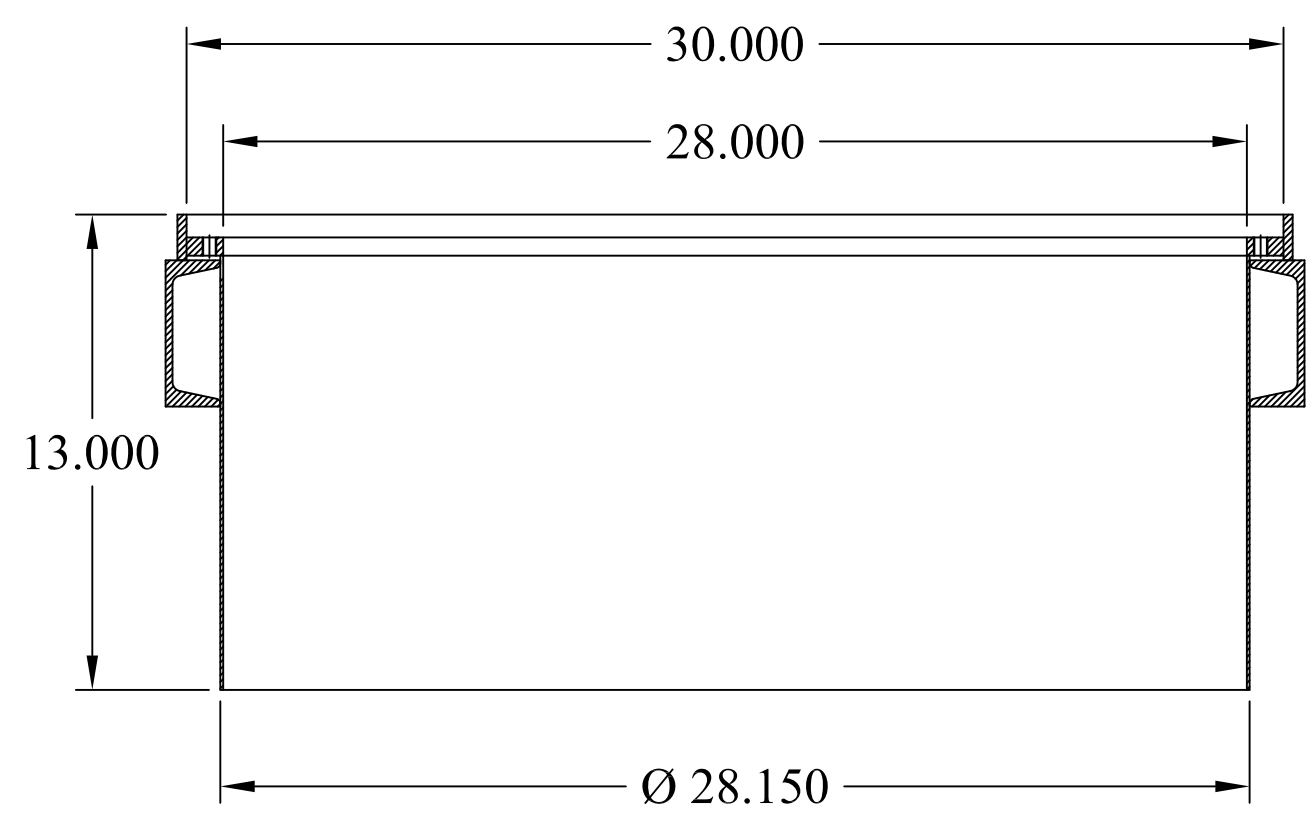
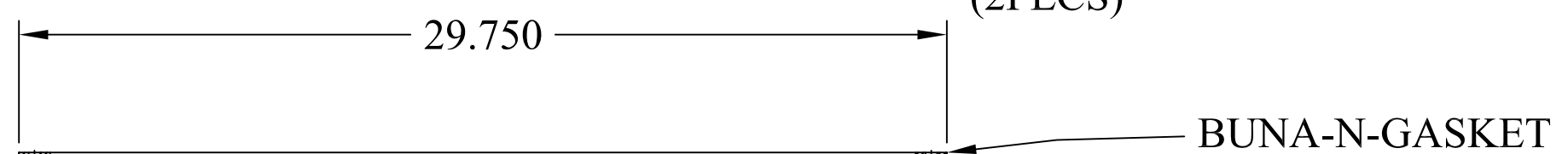
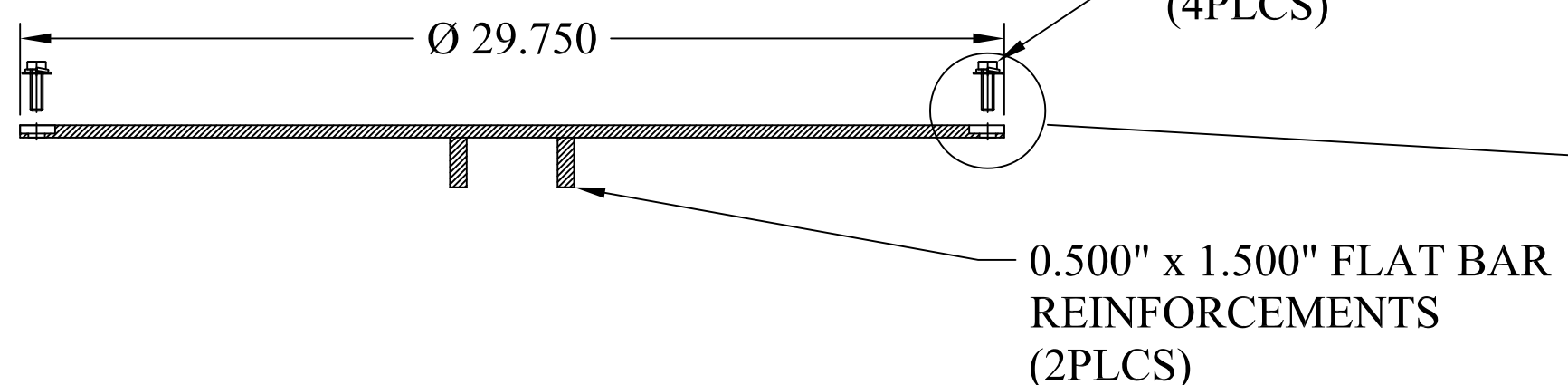
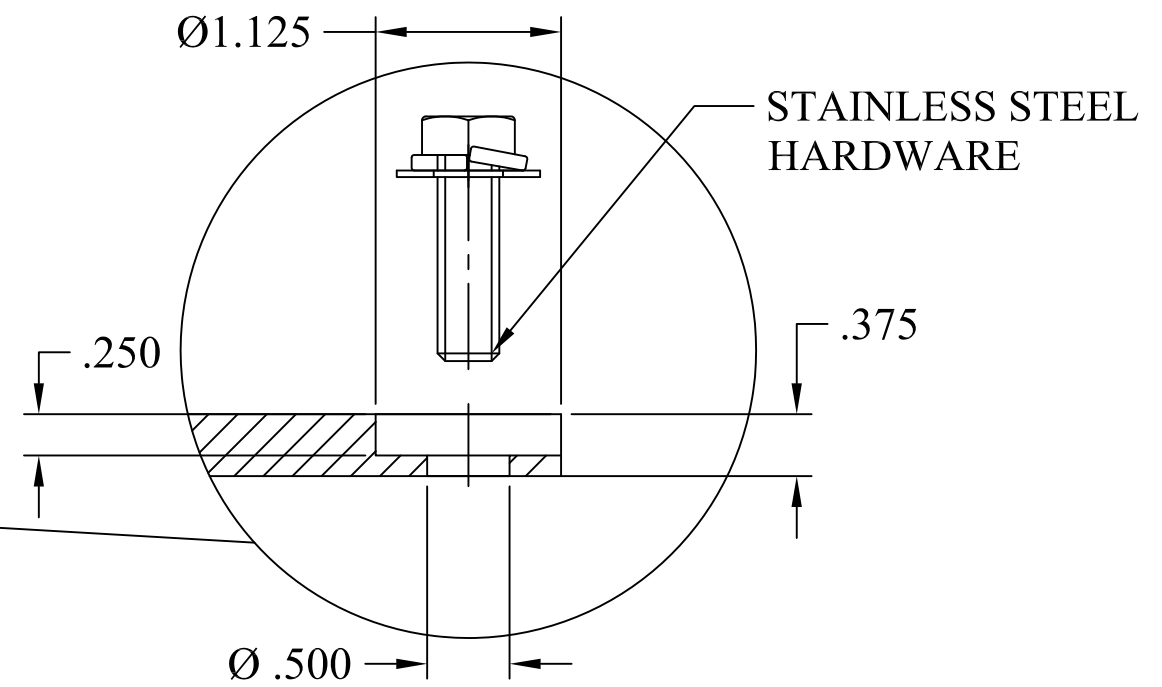
- FEATURES:**
- STEEL T-FRAME CONSTRUCTION
  - 0.375 THK. DIAMOND PLATE COVER WITH H-20 TRUCK LOAD RATING
  - FOUR (4) STAINLESS STEEL HEX BOLTS
  - 1/8" THK. BUNA-N GASKET
  - ONE (1) RECESSED LIFTING EYE
  - 14 GA. CARBON STEEL SKIRT
  - ALL STEEL COATED WITH A RUST PREVENTATIVE PAINT
  - CHANNEL-STYLE CONCRETE ANCHORS
  - MADE IN USA

Ø30.500  
Ø29.750  
0.500" x 1.500" FLAT BAR REINFORCEMENTS (2PLCS)

QTY (4)  
Ø 0.5 HOLES EQUALLY SPACED ON A 28.75" BOLT CIRCLE  
SPOT FACE Ø 1.125 1/4" DP.

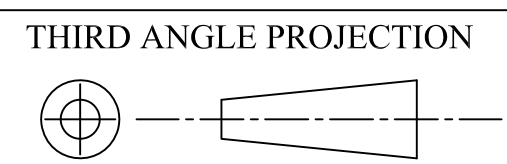
WATER TIGHT LIFTING EYE

STAINLESS MOUNTING HARDWARE (4PLCS)



This document is proprietary and confidential. No part of this document may be disclosed in any manner to a third party without the prior written consent of Fairfield Industries

**DO NOT SCALE DRAWING**  
UNLESS OTHERWISE SPECIFIED, DIMENSIONS ARE IN INCHES.  
  
TOLERANCES ON ANGLES: ± 1°  
FRACTIONAL: ±1/64  
2-PLACE DECIMALS: ± 0.05  
3-PLACE DECIMALS: ± 0.005



**FAIRFIELD INDUSTRIES, INC**  
4483 CHOPPEE ROAD, GEORGETOWN SC 29440  
PHONE: 843-461-3894 FAX: 843-461-3907

DESCRIPTION  
**300-WT**

SIZE <b>C</b>	SCALE <b>NTS</b>	DWG. NO <b>D101618-2</b>	C.REV -	REV 1
DRAWN BY <b>D. NETTLES</b>		DATE <b>10/16/18</b>	SHT 1 OF 1	