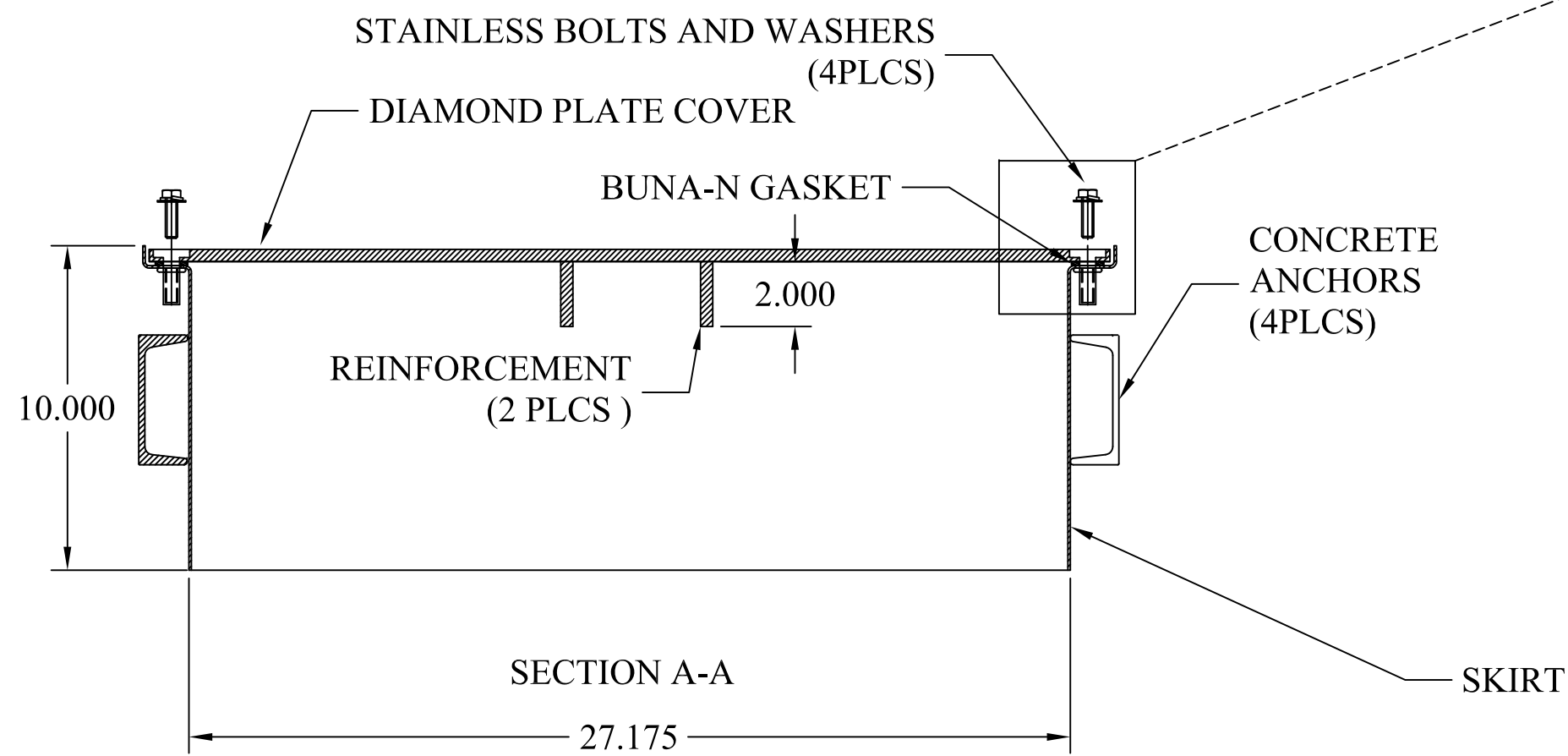
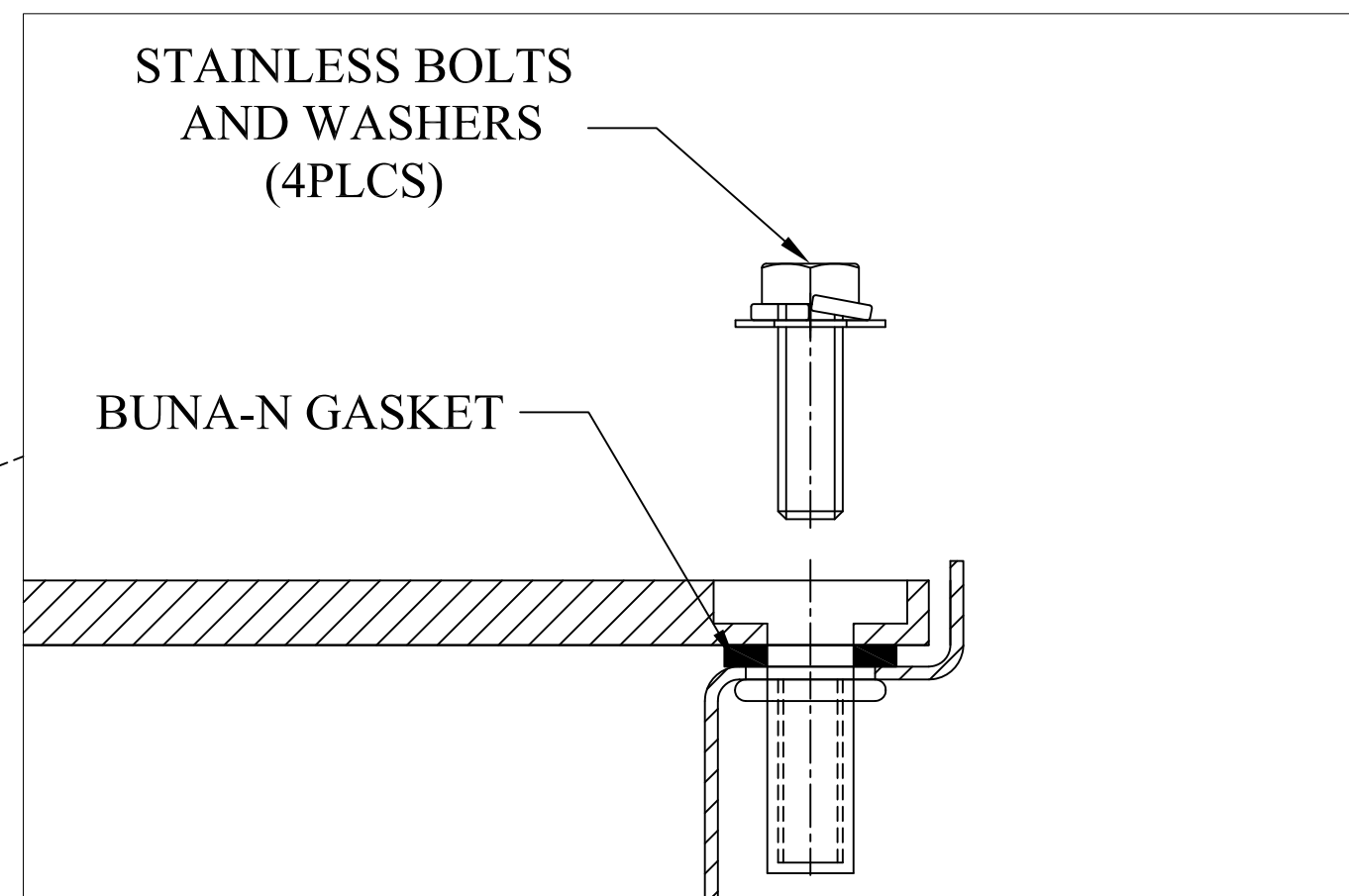


**FEATURES:**

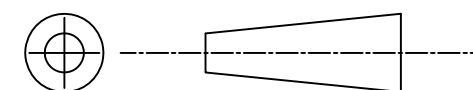
- 3/8" REINFORCED DIAMOND PLATE COVER , H-20 TRUCK LOAD RATING .
- 1/8" BUNA-N GASKET
- TWO (2) WATERTIGHT LIFTING EYES(E)
- STAINLESS STEEL BOLTS AND WASHERS
- 10 GAUGE 10" STEEL FORMED FRAME
- CHANNEL STYLE CONCRETE ANCHORS
- ALL STEEL IS COATED WITH PROTECTED PAINT.
- MADE IN USA



This document is proprietary and confidential. No part of this document may be disclosed in any manner to a third party without the prior written consent of Fairfield Industries

**DO NOT SCALE DRAWING**  
 UNLESS OTHERWISE SPECIED  
 DIMENSIONS ARE IN INCHES.  
 TOLERANCES ON ANGLES: ± 1°  
 FRACTIONAL: ± 1/16  
 2-PLACE DECIMALS: ± 0.062  
 3-PLACE DECIMAL: ± 0.032

THIRD ANGLE PROJECTION



**FAIRFIELD INDUSTRIES, INC**  
 4483 CHOPPEE ROAD, GEORGETOWN SC 29440  
 PHONE: 843-461-3894 FAX: 843-461-3907

DESCRIPTION		30S-WT		
SIZE	SCALE	DWG.NO.	REV.	
C	NTS	D110918-1	1	
DRAWN BY		DATE	SHT.	
D. NETTLES		11/09/18	1 OF 1	