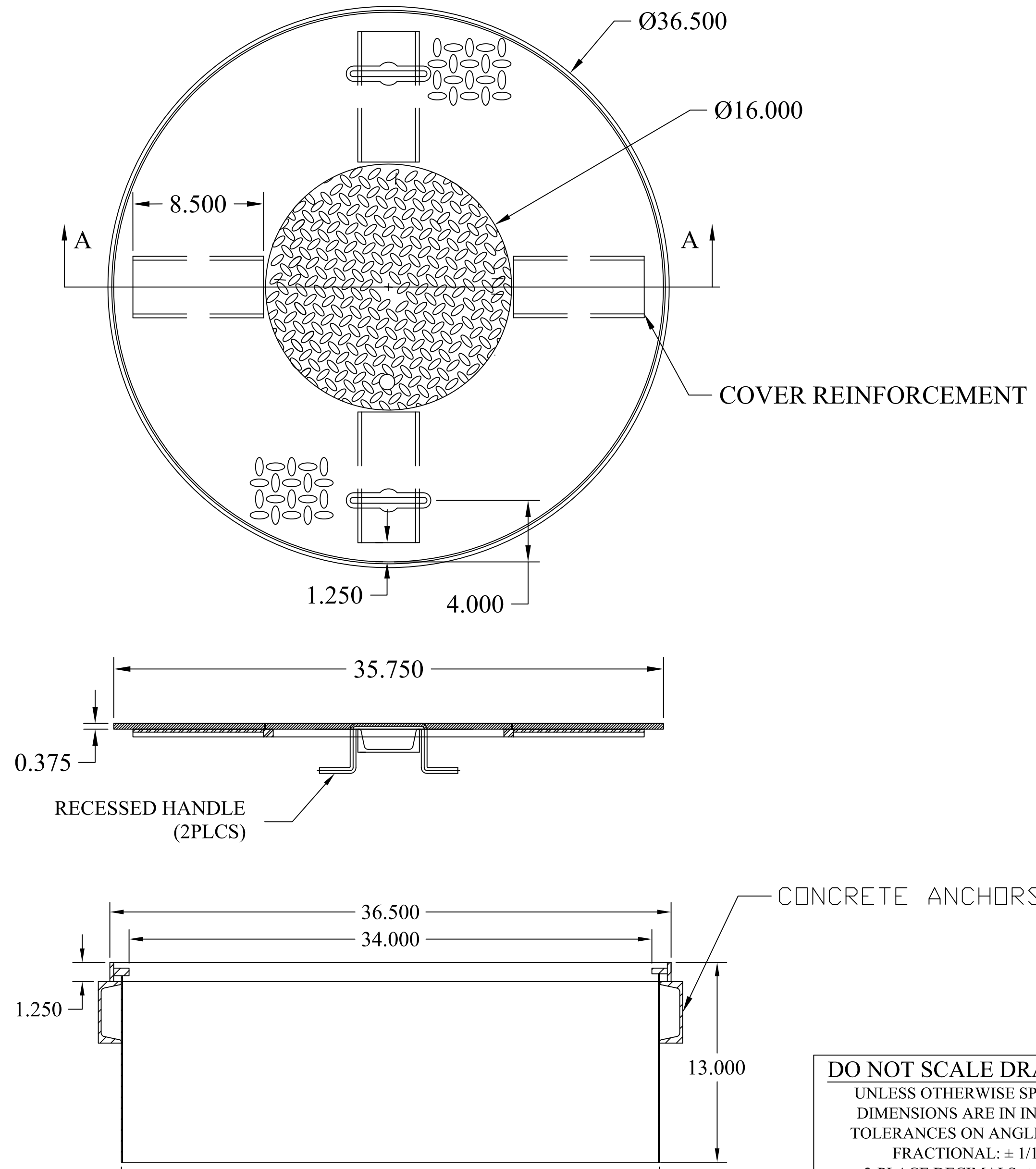


FEATURES:

- STEEL T-FRAME CONSTRUCTION
- REINFORCED 3/8" THICK DIAMOND PLATE COVER WITH H-20 TRUCK LOAD RATING
- 14 GAUGE SKIRT
- (1) 16" DIAMOND PLATE PORT COVER WITH FINGER HOLE
- ALL STEEL COATED WITH RUST PREVENTATIVE PAINT
- CHANNEL-STYLE CONCRETE ANCHORS
- MADE IN USA



DO NOT SCALE DRAWING
 UNLESS OTHERWISE SPECIED
 DIMENSIONS ARE IN INCHES.
 TOLERANCES ON ANGLES: ± 1°
 FRACTIONAL: ± 1/16
 2-PLACE DECIMALS: ± 0.062
 3-PLACE DECIMAL: ± 0.032

FAIRFIELD INDUSTRIES, INC
 4483 CHOPPEE ROAD, GEORGETOWN SC 29440
 PHONE: 843-461-3894 FAX: 843-461-3907

DESCRIPTION				361-HD	
SIZE	SCALE	DWG.NO.	REV.		
C	NTS	D082818-5	1		
DRAWN BY		DATE	SHT.		
D NETTLES		08/28/18	1 OF 1		

This document is proprietary and confidential. No part of this document may be disclosed in any manner to a third party without the prior written consent of Fairfield Industries

