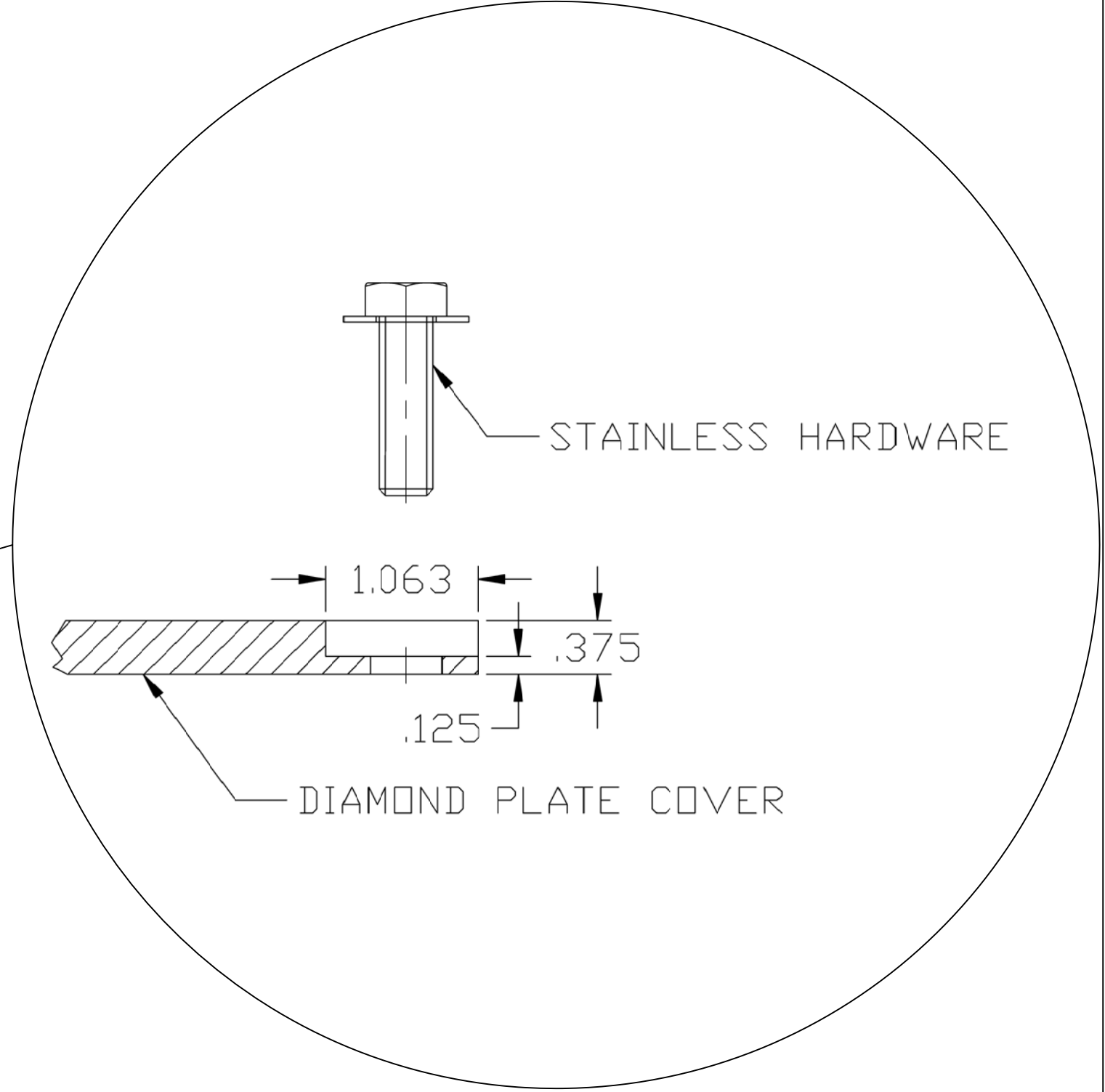
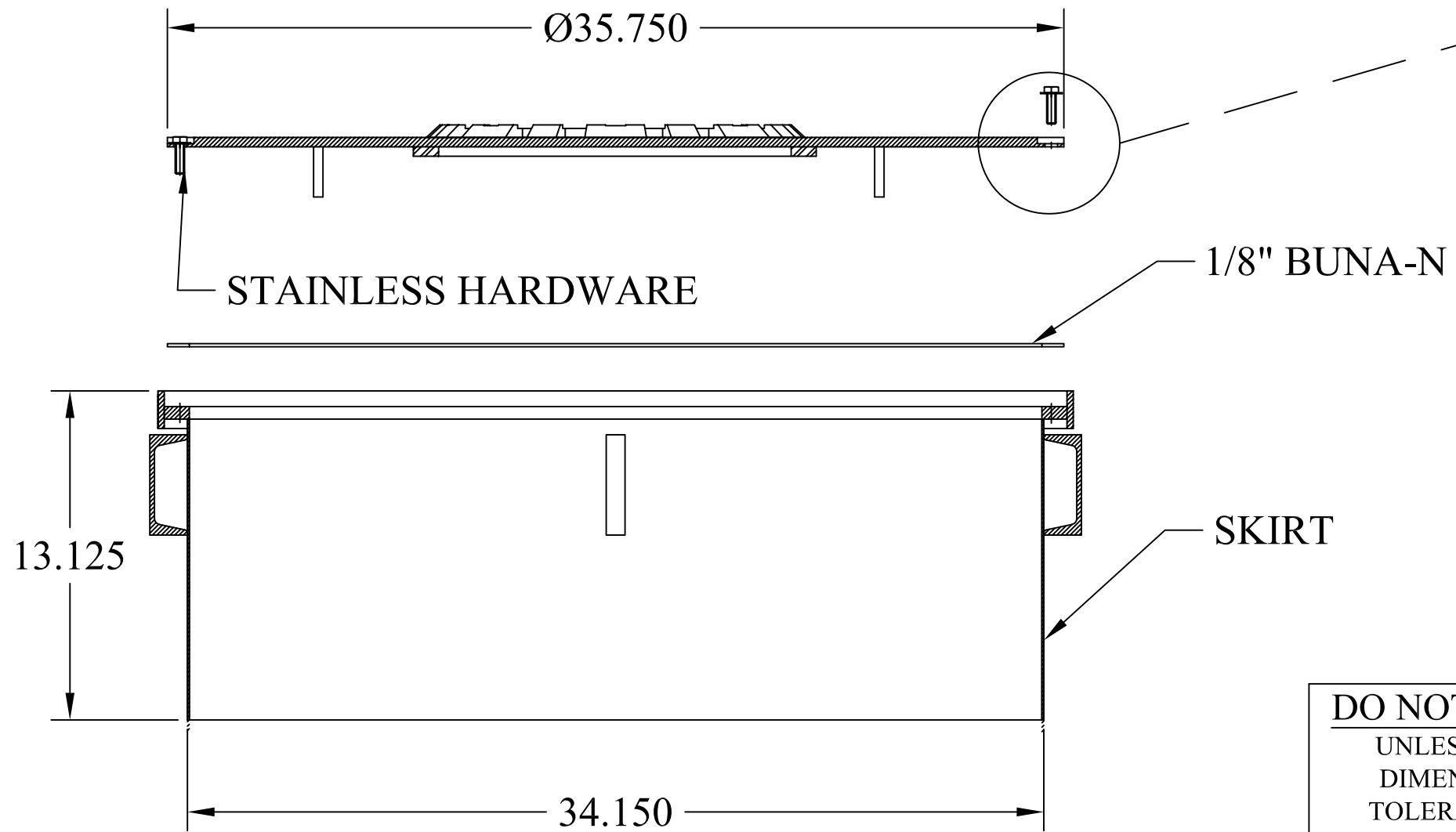
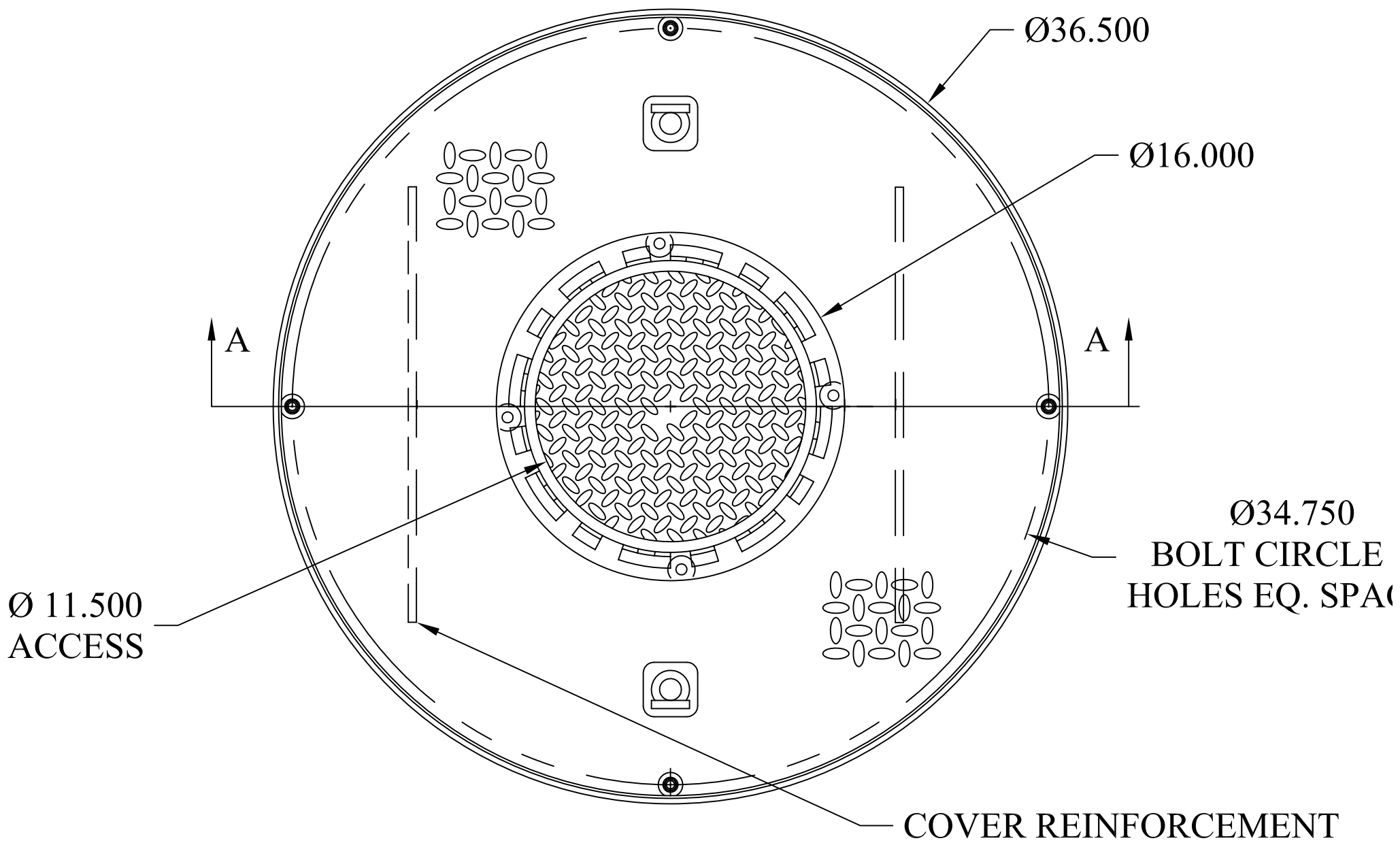


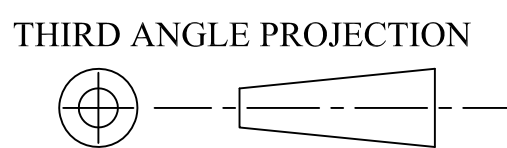
FEATURES:

- STEEL T-FRAME CONSTRUCTION
- REINFORCED 3/8" THICK DIAMOND PLATE COVER WITH H-20 TRUCK LOAD RATING
- 1/8" BUNA-N GASKET
- FOUR (4) STAINLESS STEEL HEX BOLTS
- TWO (2) WATER TIGHT LIFT HANDLES
- 11.5 IN. RAIN TIGHT INNER FRAME AND COVER MADE OF CAST IRON
- 14 GAUGE SKIRT
- ALL STEEL COATED WITH RUST PREVENTATIVE PAINT
- CHANNEL-STYLE CONCRETE ANCHORS



This document is proprietary and confidential. No part of this document may be disclosed in any manner to a third party without the prior written consent of Fairfield Industries

DO NOT SCALE DRAWING
 UNLESS OTHERWISE SPECIED
 DIMENSIONS ARE IN INCHES.
 TOLERANCES ON ANGLES: ± 1°
 FRACTIONAL: ± 1/16
 2-PLACE DECIMALS: ± 0.062
 3-PLACE DECIMAL: ± 0.032



FAIRFIELD INDUSTRIES, INC			
4483 CHOPPEE ROAD, GEORGETOWN SC 29440			
PHONE: 843-461-3894		FAX: 843-461-3907	
DESCRIPTION 361-WT			
SIZE C	SCALE NTS	DWG.NO. D051818-1	REV. 1
DRAWN BY D NETTLES		DATE 03/08/21	SHT. 1 OF 1