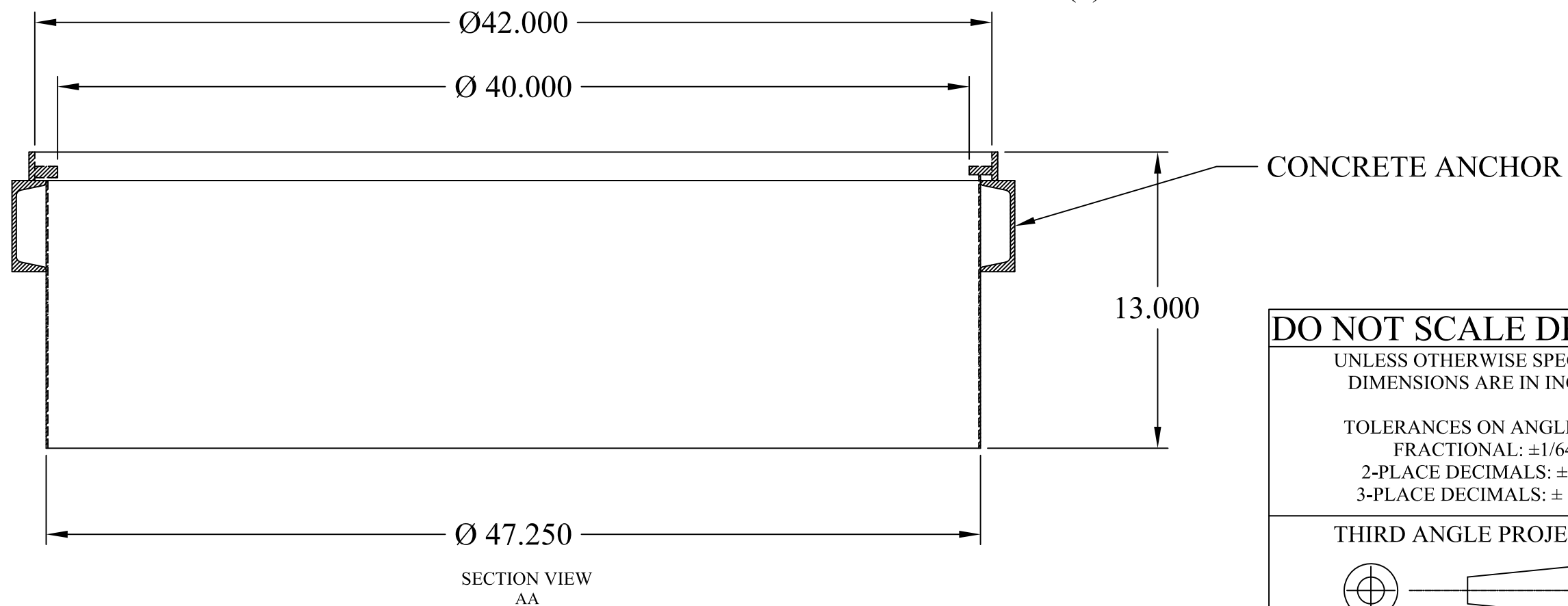
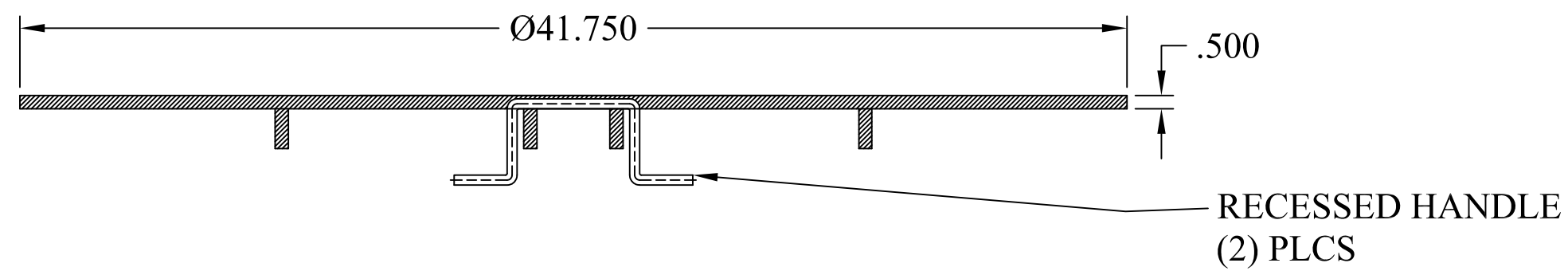
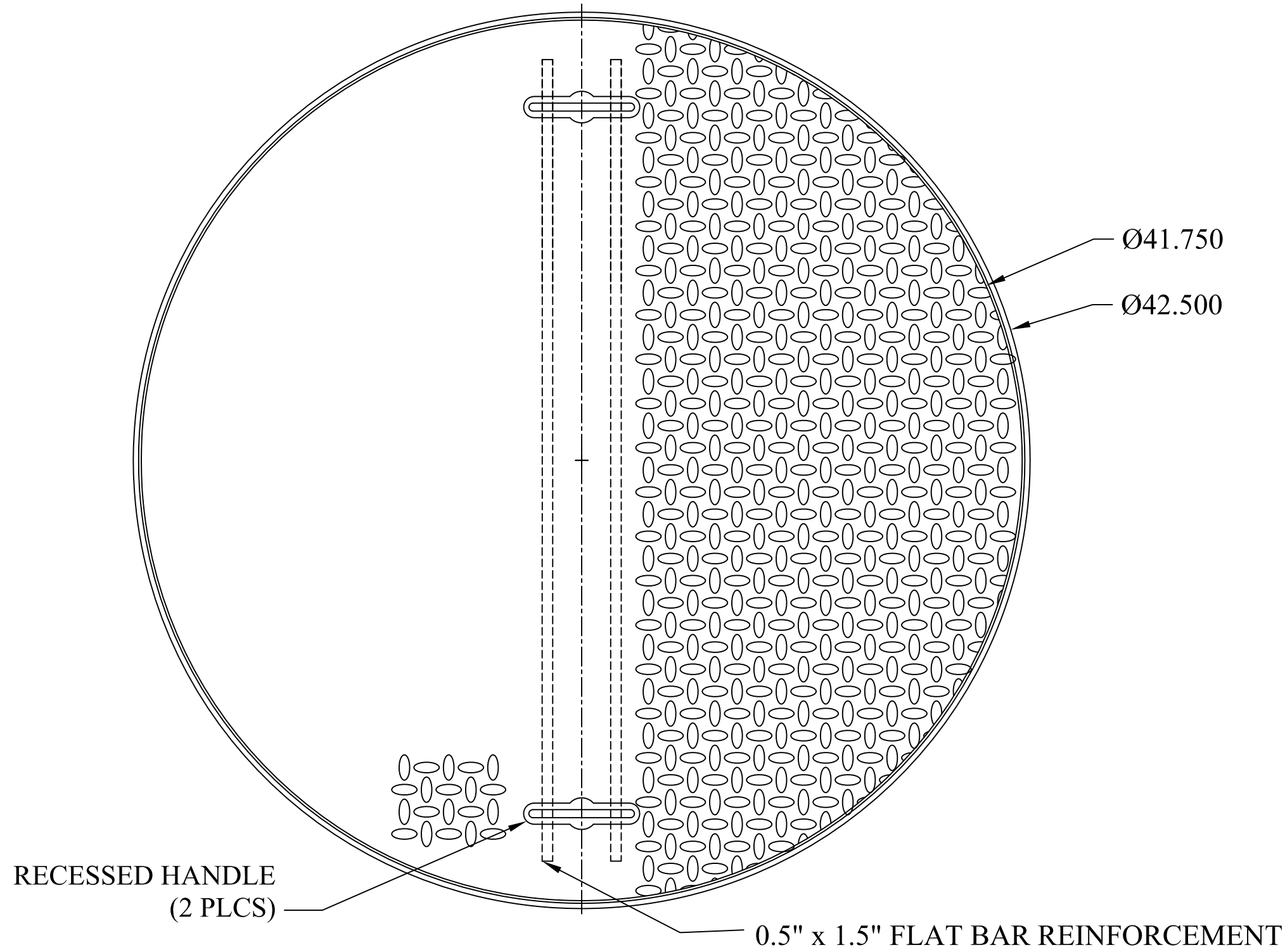


FEATURES:

- STEEL T-FRAME CONSTRUCTION
- REINFORCED DIAMOND PLATE STEEL COVERS WITH H-20 TRUCK LOAD RATING
- 14GA. SKIRT
- TWO (2) RECESSED HANDLES LIFT HANDLES
- ALL STEEL COATED WITH A RUST PREVENTATIVE PAINT
- CHANNEL-STYLE CONCRETE ANCHORS



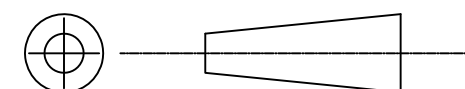
This document is proprietary and confidential. No part of this document may be disclosed in any manner to a third party without the prior written consent of Fairfield Industries

DO NOT SCALE DRAWING

UNLESS OTHERWISE SPECIFIED, DIMENSIONS ARE IN INCHES.

TOLERANCES ON ANGLES: $\pm 1^\circ$
 FRACTIONAL: $\pm 1/64$
 2-PLACE DECIMALS: ± 0.05
 3-PLACE DECIMALS: ± 0.005

THIRD ANGLE PROJECTION



FAIRFIELD INDUSTRIES, INC

4483 CHOPPEE ROAD, GEORGETOWN SC 29440

PHONE: 843-461-3894

FAX: 843-461-3907

DESCRIPTION

420- HD

SIZE

SCALE

NTS

DWG. NO

D101218-3

C.REV

REV

DRAWN BY

D. NETTLES

DATE 10/12/18

SHT

1 OF 1