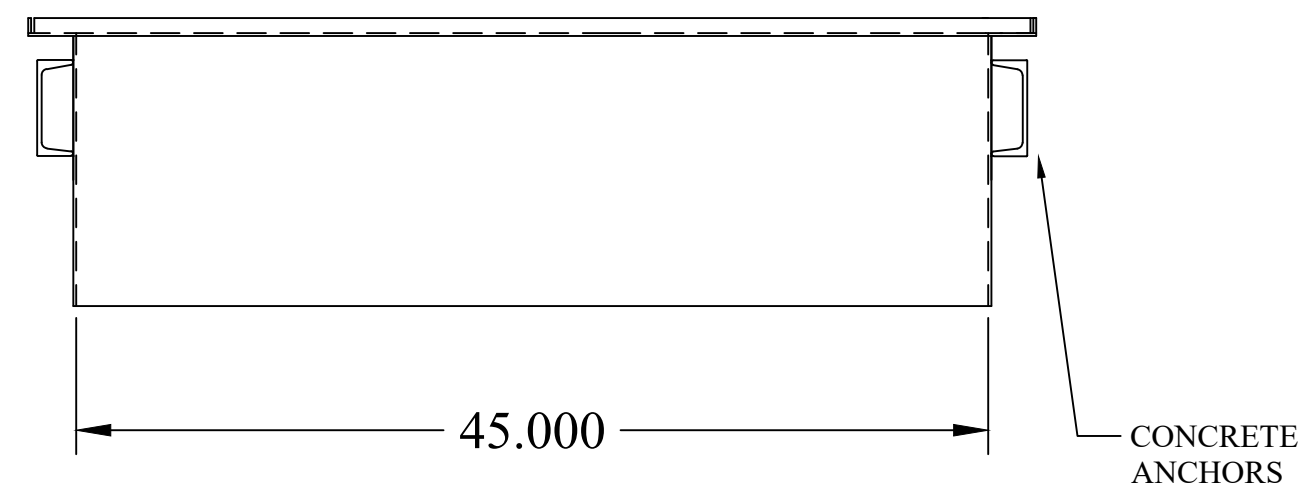
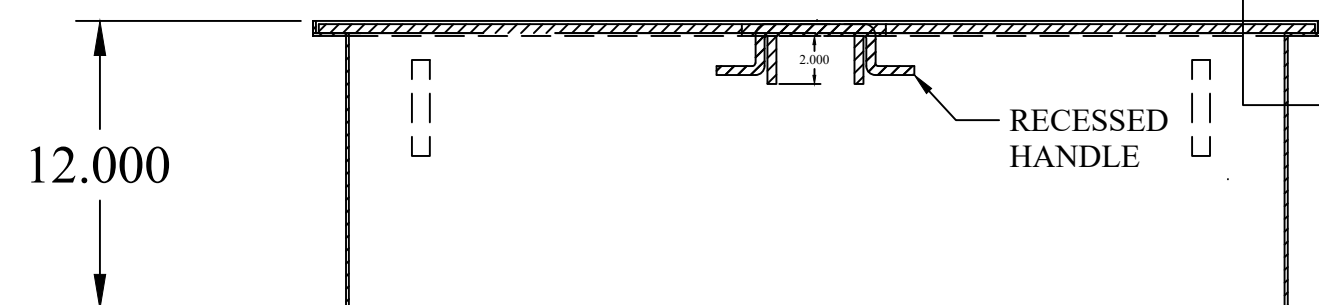
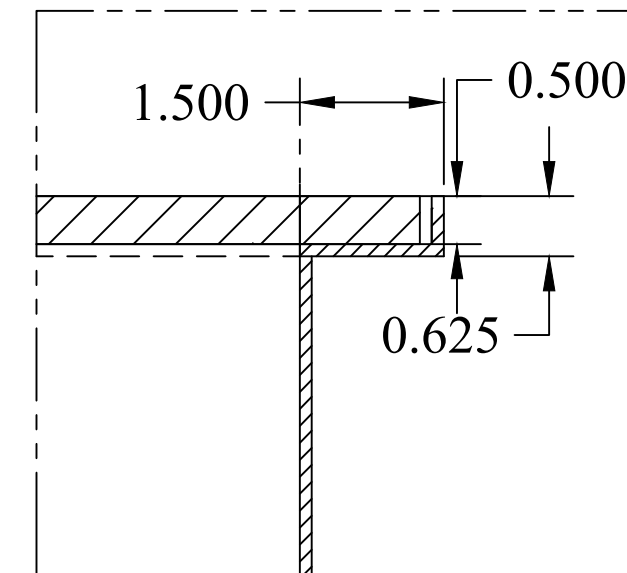


0.5" THICK
REINFORCED DIAMOND
PLATE COVER



SECTION A-A

FEATURES

- 0.5" THICK DIAMOND PLATE REINFORCED COVER H-20 TRUCK LOAD RATING, RECESSED HANDLES
- 11GAUGE TOP FRAME AND SKIRT, ALL WELDED CONSTRUCTION
- CHANNEL-STYLE CONCRETE ANCHORS
- ALL STEEL COATED WITH A RUST PREVENTIVE PAINT
- MADE IN USA

This document is proprietary and confidential. No part of this document may be disclosed in any manner to a third party without the prior written consent of Fairfield Industries

DO NOT SCALE DRAWING
UNLESS OTHERWISE SPECIED
DIMENSIONS ARE IN INCHES.
TOLERANCES ON ANGLES: $\pm 1^\circ$
FRACTIONAL: $\pm 1/16$
2-PLACE DECIMALS: ± 0.062
3-PLACE DECIMAL: ± 0.032

FAIRFIELD INDUSTRIES, INC
4483 CHOPPEE ROAD, GEORGETOWN SC 29440
PHONE: 843-461-3894 FAX: 843-461-3907

DESCRIPTION		48S	
SIZE	SCALE	DWG.NO.	REV.
C	NTS	D102319-4	1
DRAWN BY		DATE	SHT.
D. NETTLES		10/23/19	1 OF 3

THIRD ANGLE PROJECTION

