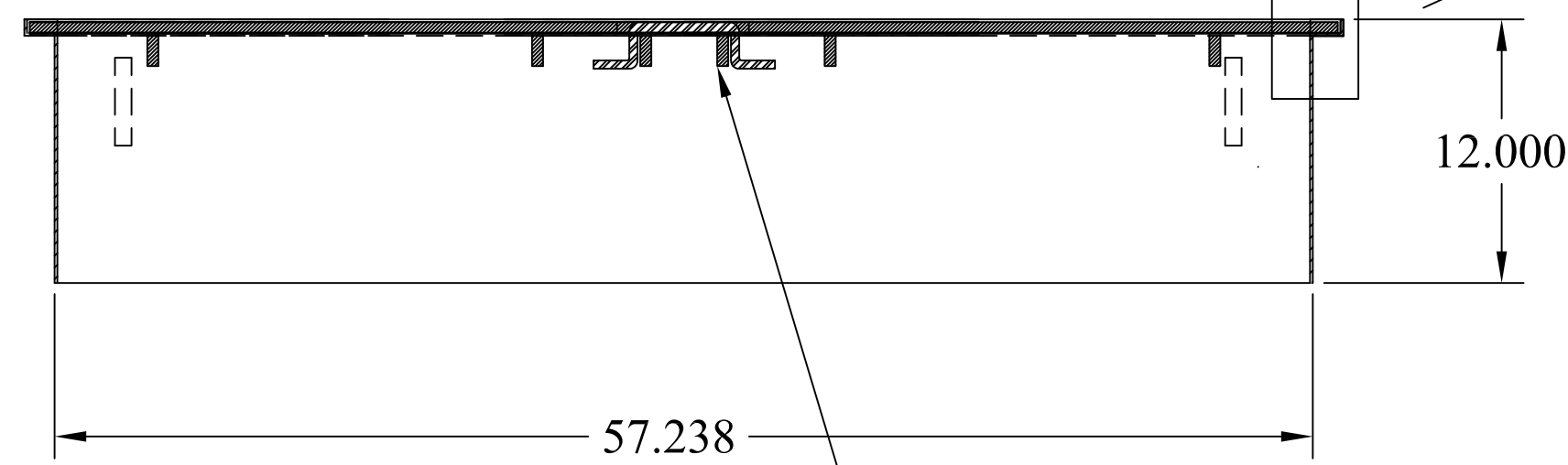
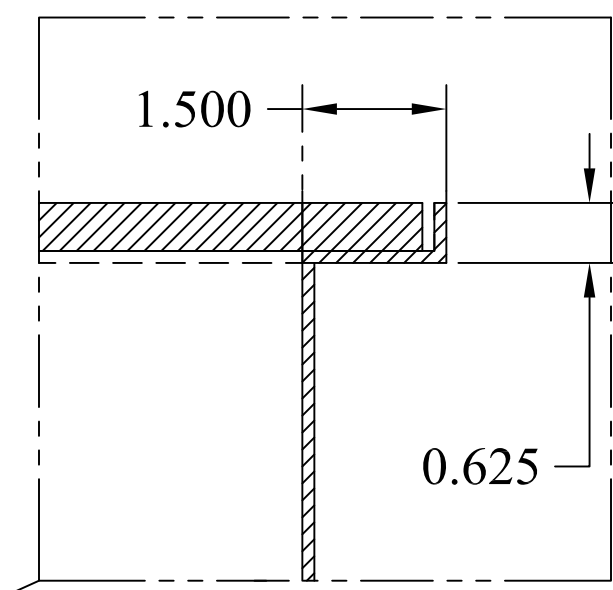


0.5" THICK
REINFORCED DIAMOND
PLATE COVER (2PLCS)

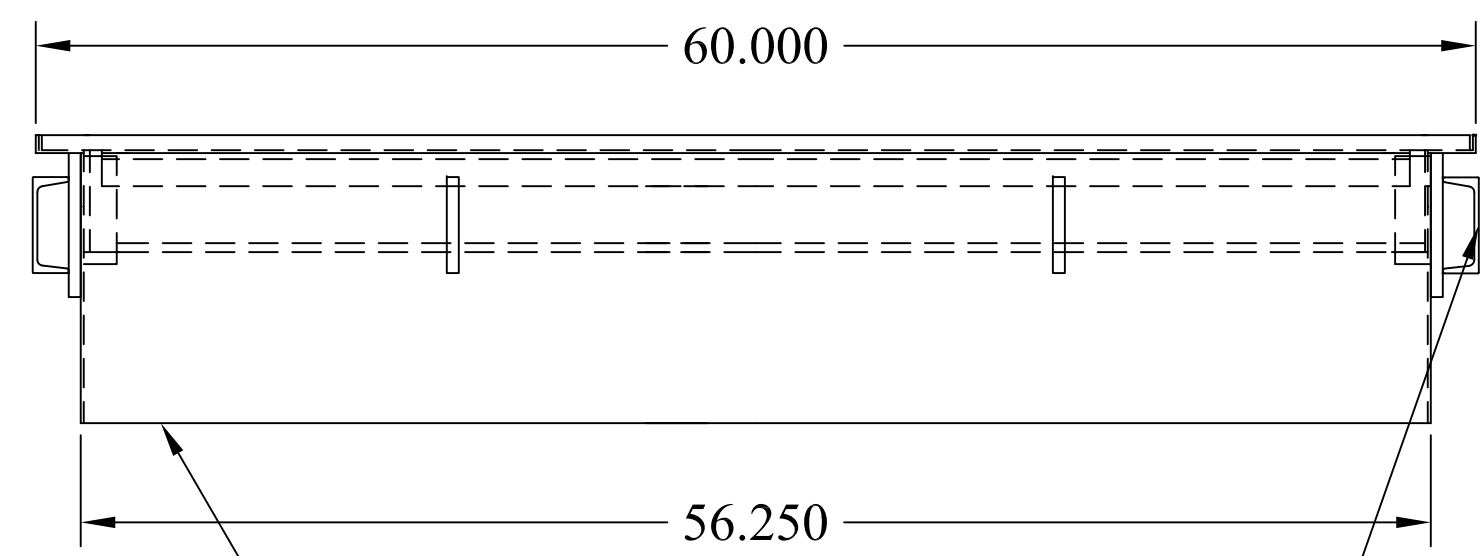
FEATURES

- ONE (1) 0.5" THICK DIAMOND PLATE REINFORCED COVER H-20 TRUCK LOAD RATING, RECESSED HANDLES
- 11GAUGE TOP FRAME AND SKIRT, ALL WELDED CONSTRUCTION
- CHANNEL-STYLE CONCRETE ANCHORS
- ALL STEEL COATED WITH A RUST PREVENTIVE PAINT
- MADE IN USA



SECTION A-A

COVER REINFORCEMENTS



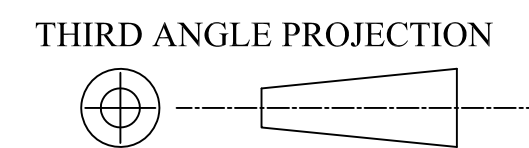
OPEN BOTTOM

CONCRETE ANCHOR

DO NOT SCALE DRAWING
UNLESS OTHERWISE SPECIED
DIMENSIONS ARE IN INCHES.
TOLERANCES ON ANGLES: ± 1°
FRACTIONAL: ± 1/16
2-PLACE DECIMALS: ± 0.062
3-PLACE DECIMAL: ± 0.032

FAIRFIELD INDUSTRIES, INC
4483 CHOPPEE ROAD, GEORGETOWN SC 29440
PHONE: 843-461-3894 FAX: 843-461-3907

DESCRIPTION		DWG.NO.		REV.
60S		D060120-3		1
SIZE	SCALE	DRAWN BY	DATE	SHT.
C	NTS	D. NETTLES	06/01/20	1 OF 3



This document is proprietary and confidential. No part of this document may be disclosed in any manner to a third party without the prior written consent of Fairfield Industries