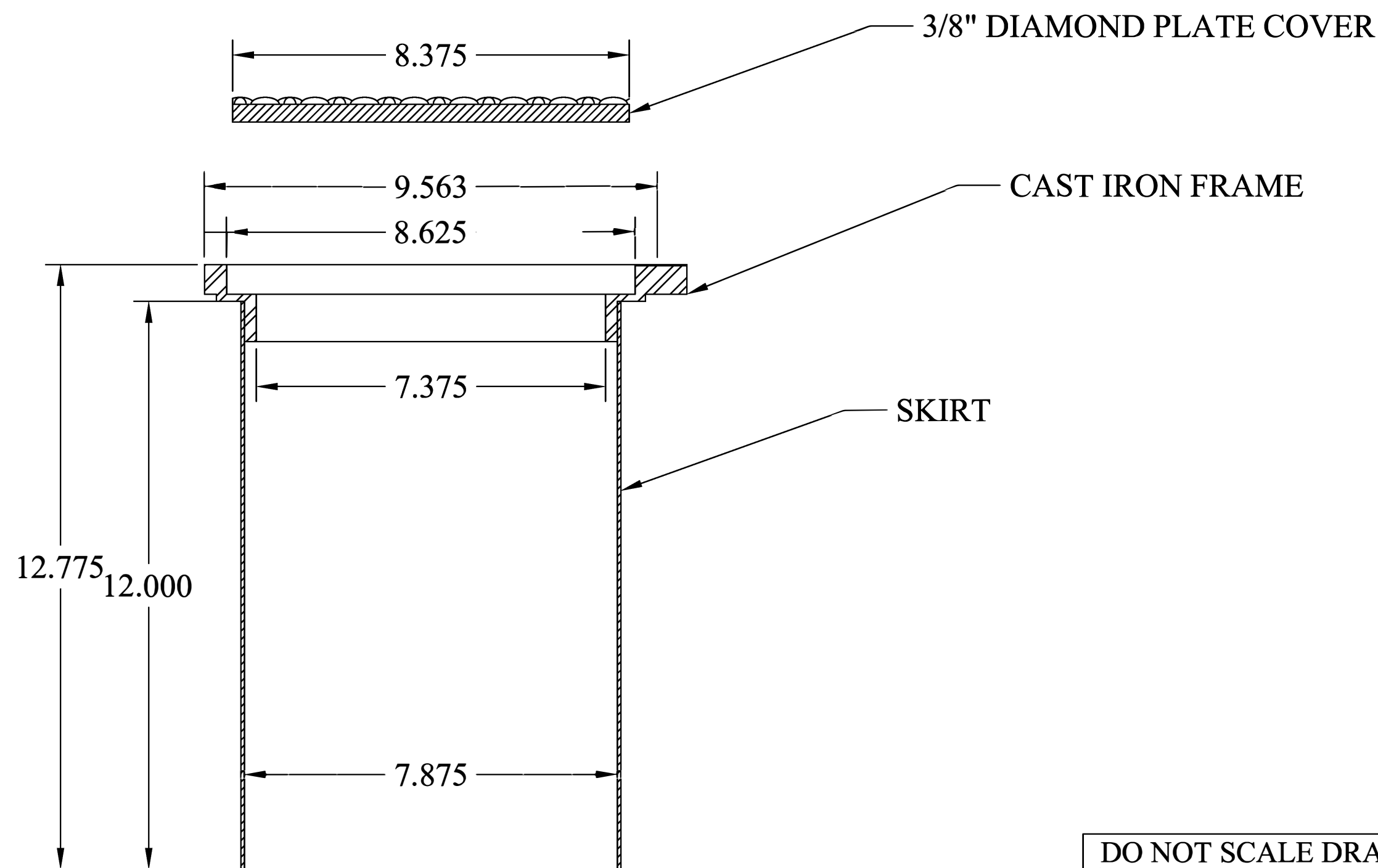


FEATURES:

- CAST IRON FRAME
- 3/8" DIAMOND PLATE STEEL COVER
- 14 GAUGE STEEL SKIRT
- FINGER HOLE FOR REMOVAL OF COVER
- H-20 LOAD RATING



DO NOT SCALE DRAWING
 UNLESS OTHERWISE SPECIED
 DIMENSIONS ARE IN INCHES.
 TOLERANCES ON ANGLES: ± 1°
 FRACTIONAL: ± 1/16
 2-PLACE DECIMALS: ± 0.062
 3-PLACE DECIMAL: ± 0.032

FAIRFIELD INDUSTRIES, INC
 4483 CHOPPEE ROAD, GEORGETOWN SC 29440
 PHONE: 843-461-3894 FAX: 843-461-3907

DESCRIPTION		80-12		
SIZE	SCALE	DWG.NO.	REV.	
C	NTS	D103118-6	1	
DRAWN BY		DATE	SHT.	
D NETTLES		10/31/18	1 OF 1	

This document is proprietary and confidential. No part of this document may be disclosed in any manner to a third party without the prior written consent of Fairfield Industries

