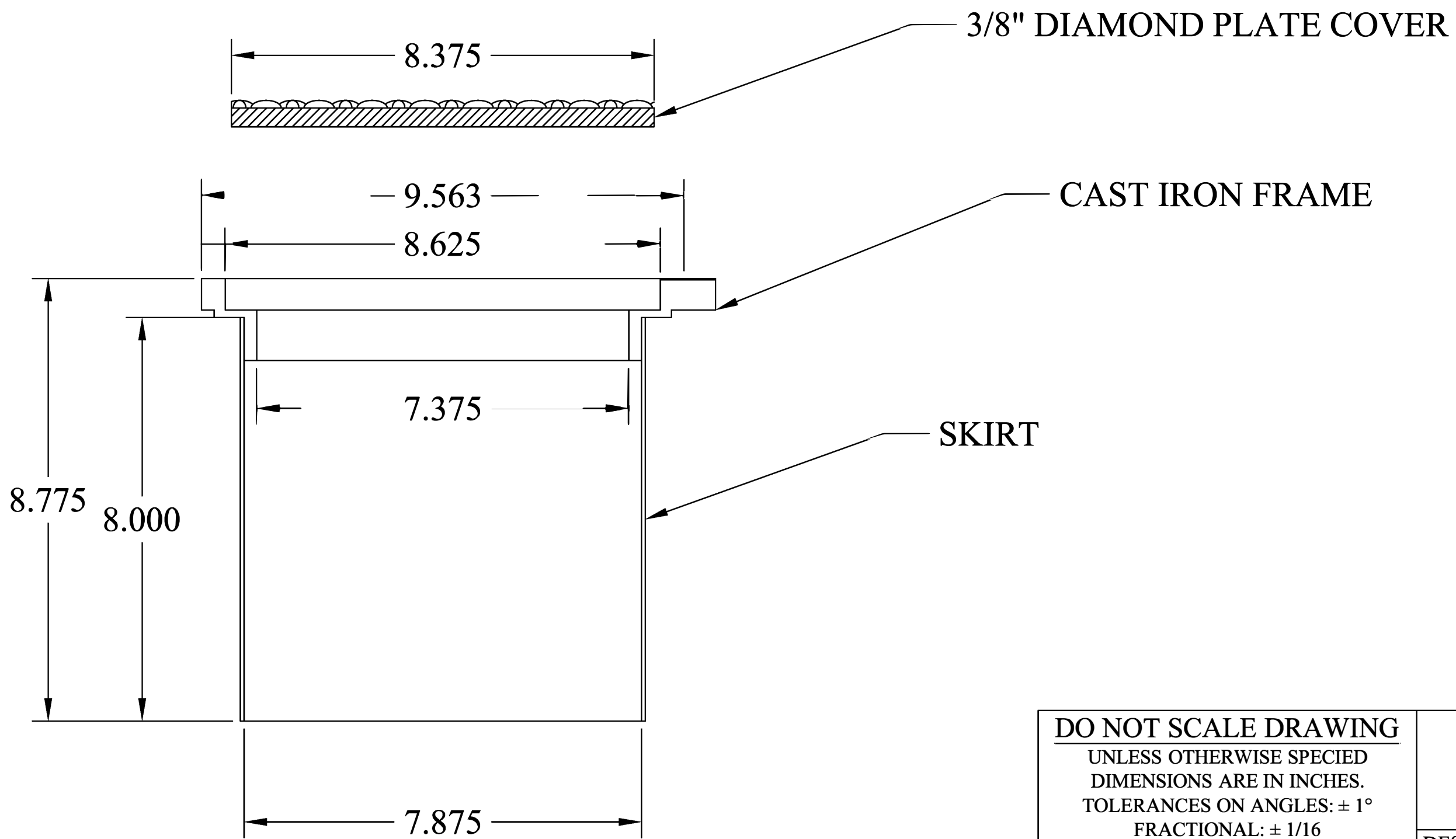
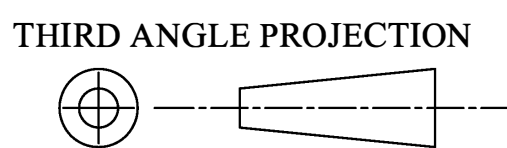


- FEATURES:**
- CAST IRON FRAME
 - 3/8" DIAMOND PLATE STEEL COVER
 - 14 GAUGE STEEL SKIRT
 - FINGER HOLE FOR REMOVAL OF COVER
 - H-20 LOAD RATING



This document is proprietary and confidential. No part of this document may be disclosed in any manner to a third party without the prior written consent of Fairfield Industries

DO NOT SCALE DRAWING
 UNLESS OTHERWISE SPECIED
 DIMENSIONS ARE IN INCHES.
 TOLERANCES ON ANGLES: ± 1°
 FRACTIONAL: ± 1/16
 2-PLACE DECIMALS: ± 0.062
 3-PLACE DECIMAL: ± 0.032



FAIRFIELD INDUSTRIES, INC			
4483 CHOPPEE ROAD, GEORGETOWN SC 29440			
PHONE: 843-461-3894		FAX: 843-461-3907	
DESCRIPTION		80-8	
SIZE	SCALE	DWG.NO.	REV.
C	NTS	D100118-1	1
DRAWN BY		DATE	SHT.
D NETTLES		10/01/18	1 OF 1