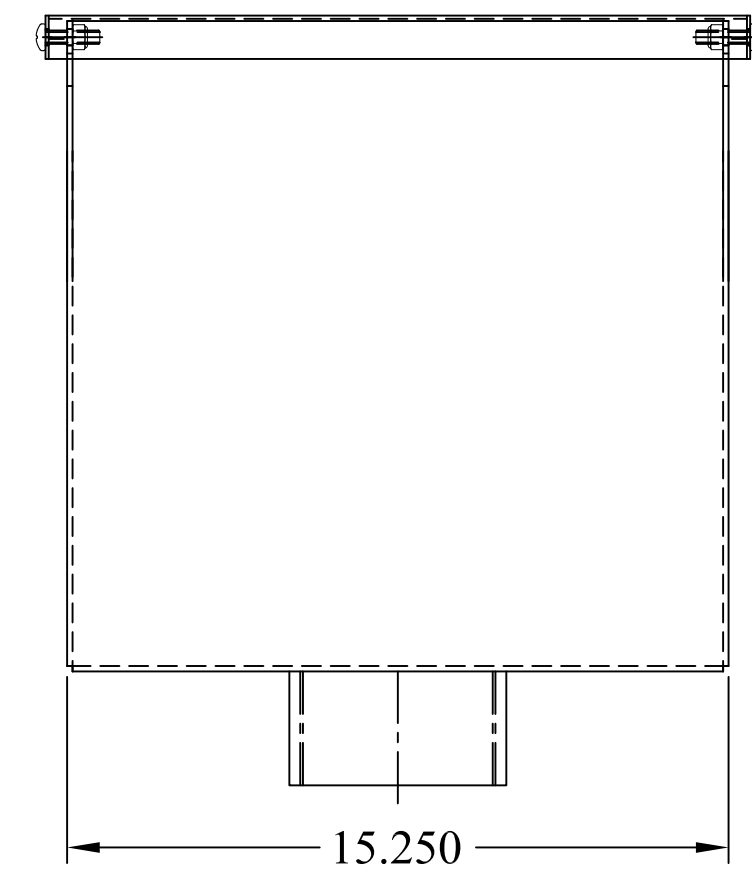
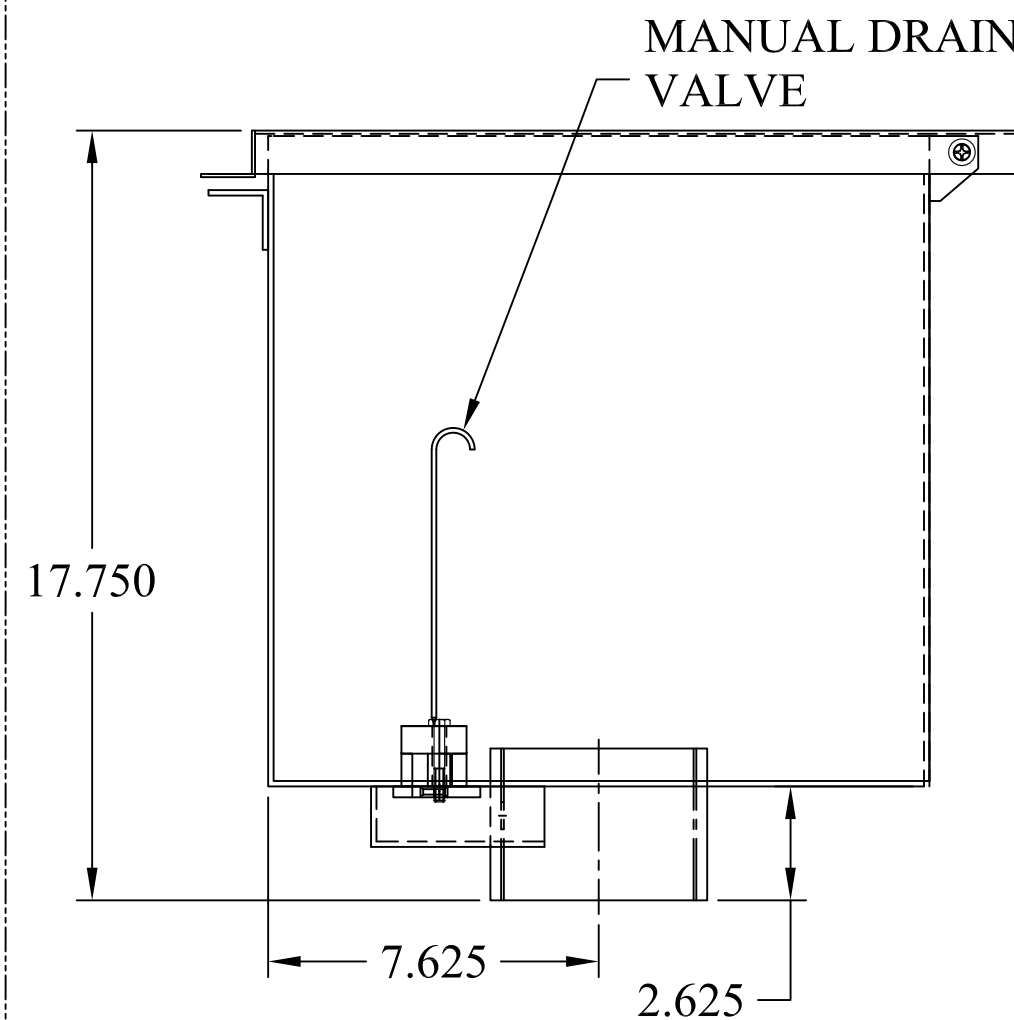
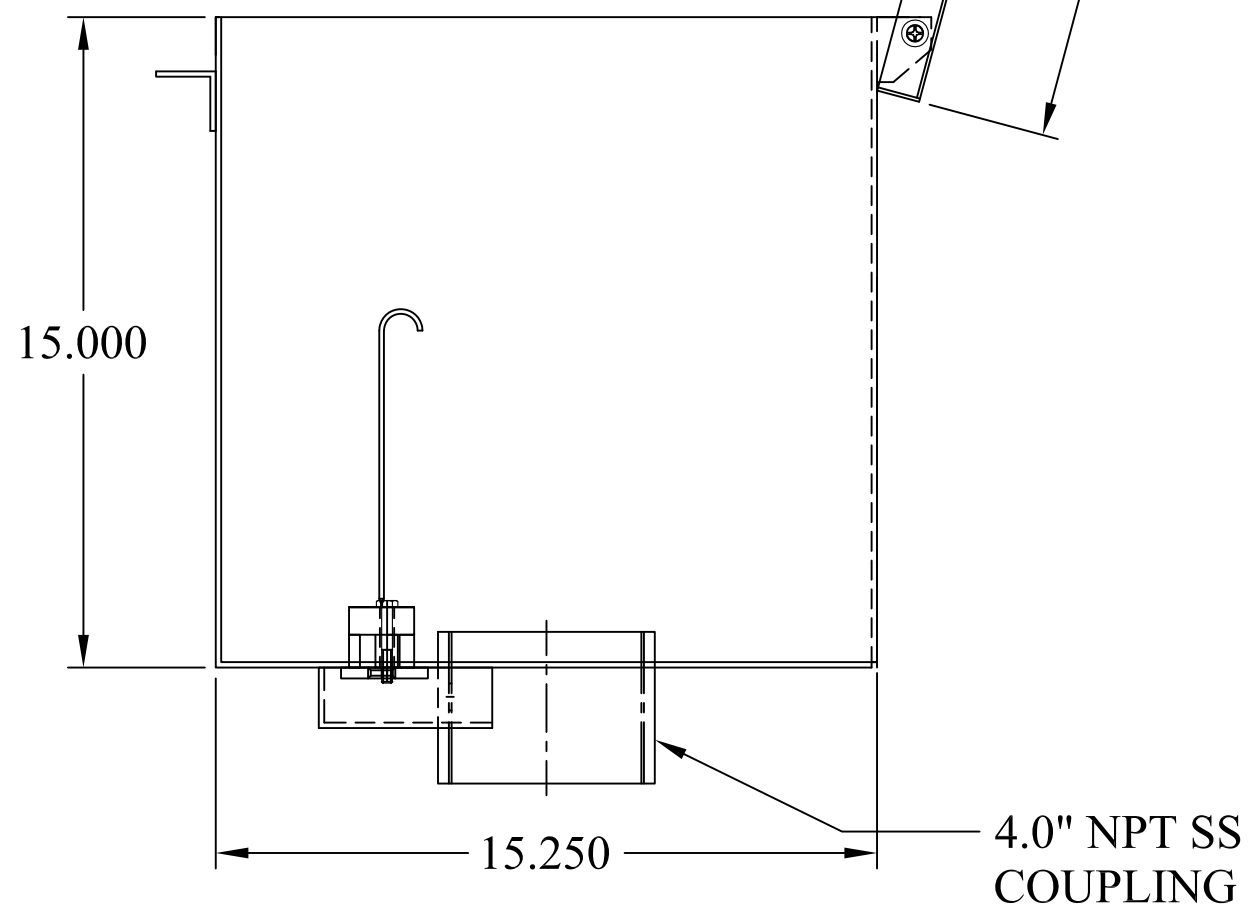
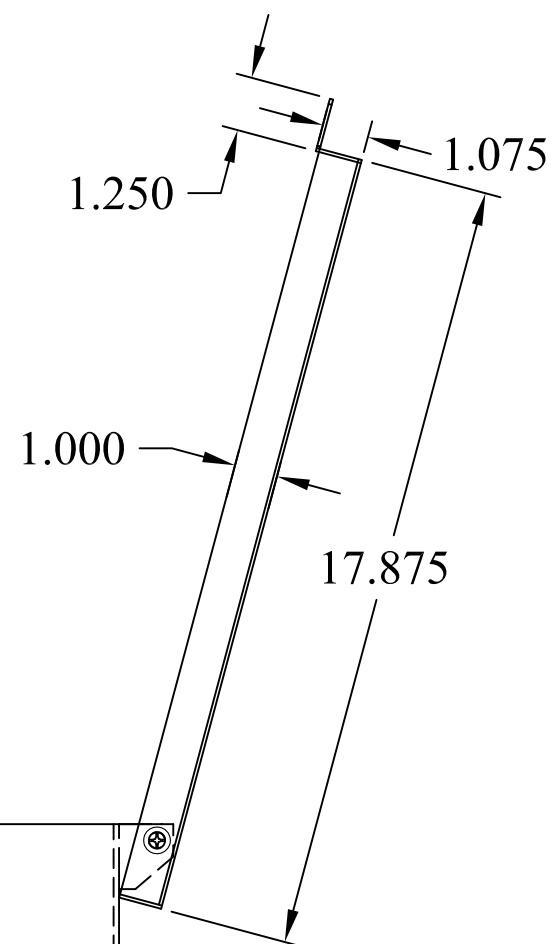


**FEATURES:**

- MATERIAL: HEAVY GAUGE STAINLESS STEEL
- LOCKABLE FLIP-TOP COVER THAT HOLDS ITSELF IN THE UPRIGHT POSITION
- 4.0" NPT COUPLING
- 15 GALLON CAPACITY
- MANUAL DRAIN VALVE
- MADE IN USA



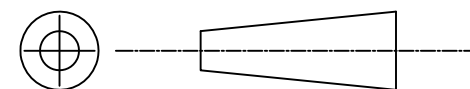
This document is proprietary and confidential. No part of this document may be disclosed in any manner to a third party without the prior written consent of Fairfield Industries

**DO NOT SCALE DRAWING**

UNLESS OTHERWISE SPECIFIED, DIMENSIONS ARE IN INCHES.

TOLERANCES ON ANGLES:  $\pm 1^\circ$   
 FRACTIONAL:  $\pm 1/64$   
 2-PLACE DECIMALS:  $\pm 0.05$   
 3-PLACE DECIMALS:  $\pm 0.005$

THIRD ANGLE PROJECTION



**FAIRFIELD INDUSTRIES, INC**

4483 CHOPPEE ROAD, GEORGETOWN SC 29440  
 PHONE: 843-461-3894 FAX: 843-461-3907

DESCRIPTION					
AGSC-15-4"					
SIZE	SCALE	DWG. NO	C.REV	REV	
C	NTS	D031521-5	-	1	
DRAWN BY			DATE	SHT	
D. NETTLES			03/15/21	1 OF 1	