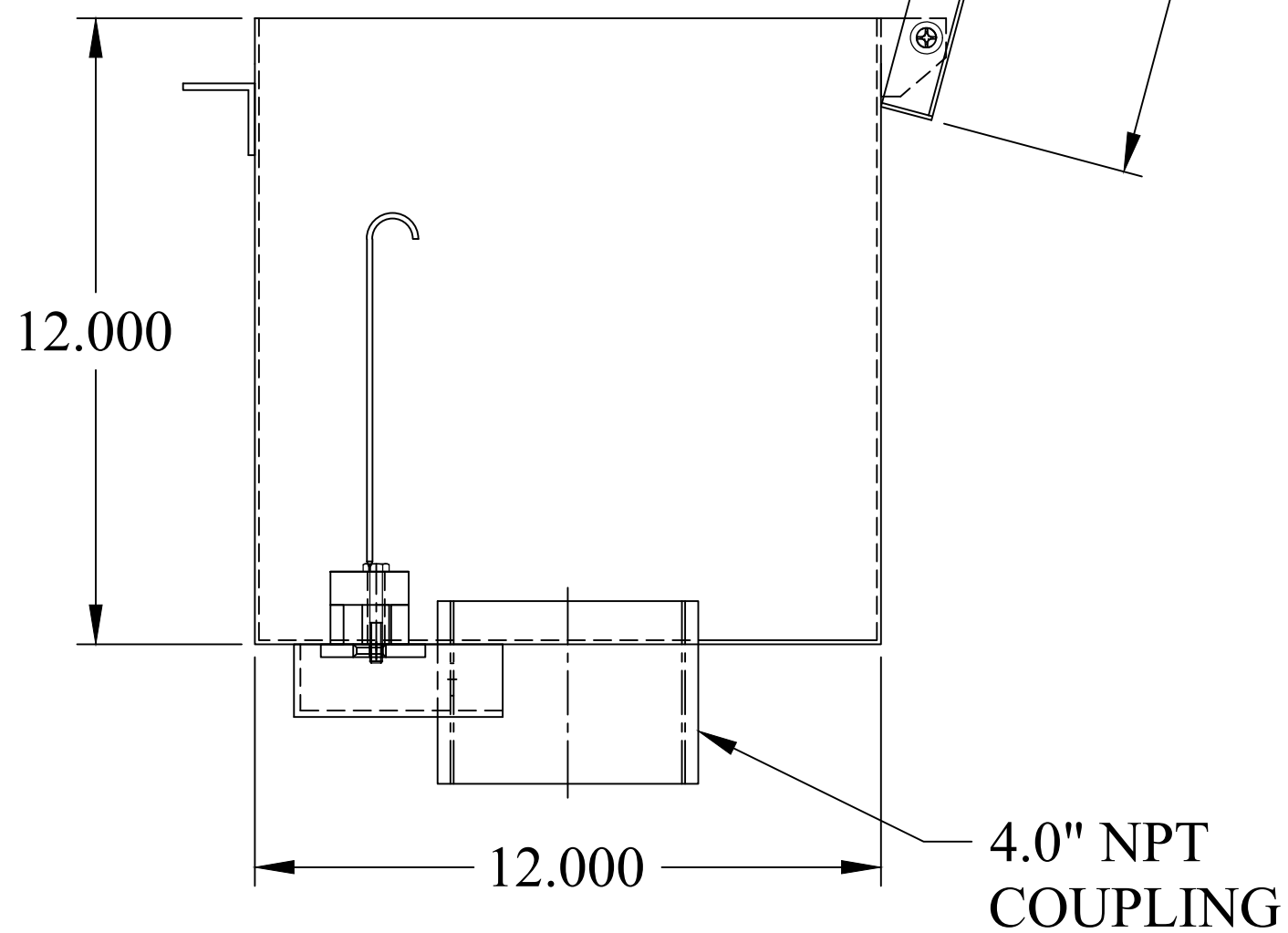
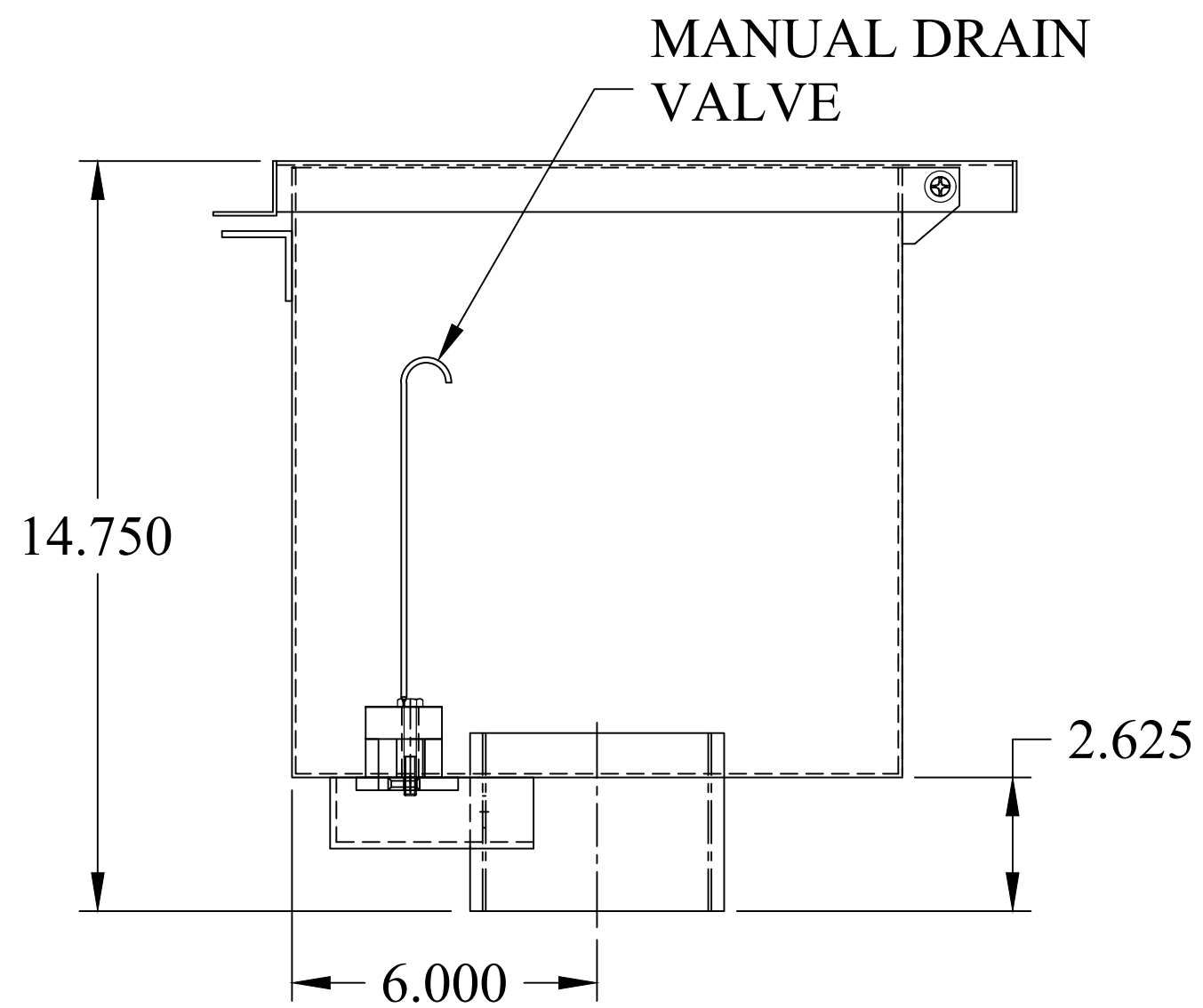
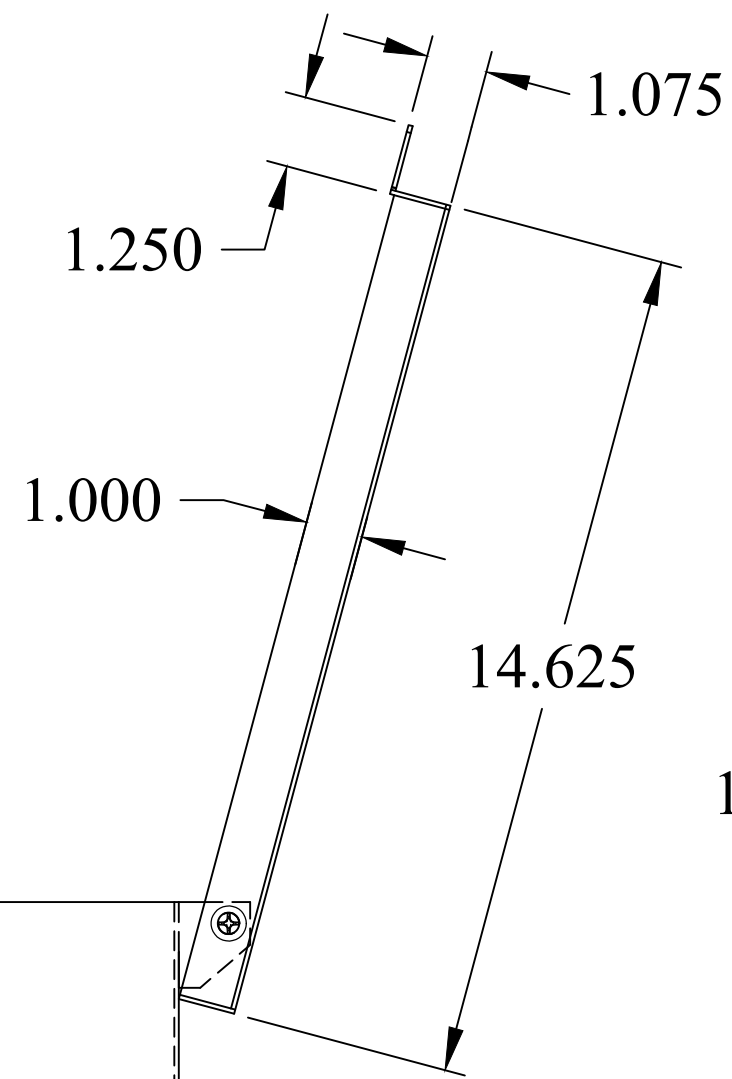


**FEATURES:**

- MATERIAL: HEAVY GAUGE CARBON STEEL
- LOCKABLE FLIP-TOP COVER THAT HOLDS ITSELF IN THE UPRIGHT POSITION
- POWDER COATED WHITE
- 7 GALLON CAPACITY
- 4.0" NPT COUPLING
- MANUAL DRAIN VALVE
- MADE IN USA



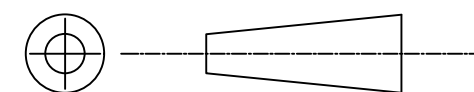
This document is proprietary and confidential. No part of this document may be disclosed in any manner to a third party without the prior written consent of Fairfield Industries

**DO NOT SCALE DRAWING**

UNLESS OTHERWISE SPECIFIED, DIMENSIONS ARE IN INCHES.

TOLERANCES ON ANGLES:  $\pm 1^\circ$   
 FRACTIONAL:  $\pm 1/64$   
 2-PLACE DECIMALS:  $\pm 0.05$   
 3-PLACE DECIMALS:  $\pm 0.005$

THIRD ANGLE PROJECTION



**FAIRFIELD INDUSTRIES, INC**

4483 CHOPPEE ROAD, GEORGETOWN SC 29440

PHONE: 843-461-3894 FAX: 843-461-3907

DESCRIPTION

AGSC-7C

SIZE <b>C</b>	SCALE <b>NTS</b>	DWG. NO 042121-2	C.REV -	REV 1
DRAWN BY S BESHORE		DATE 04/21/21	SHT 1 OF 1	