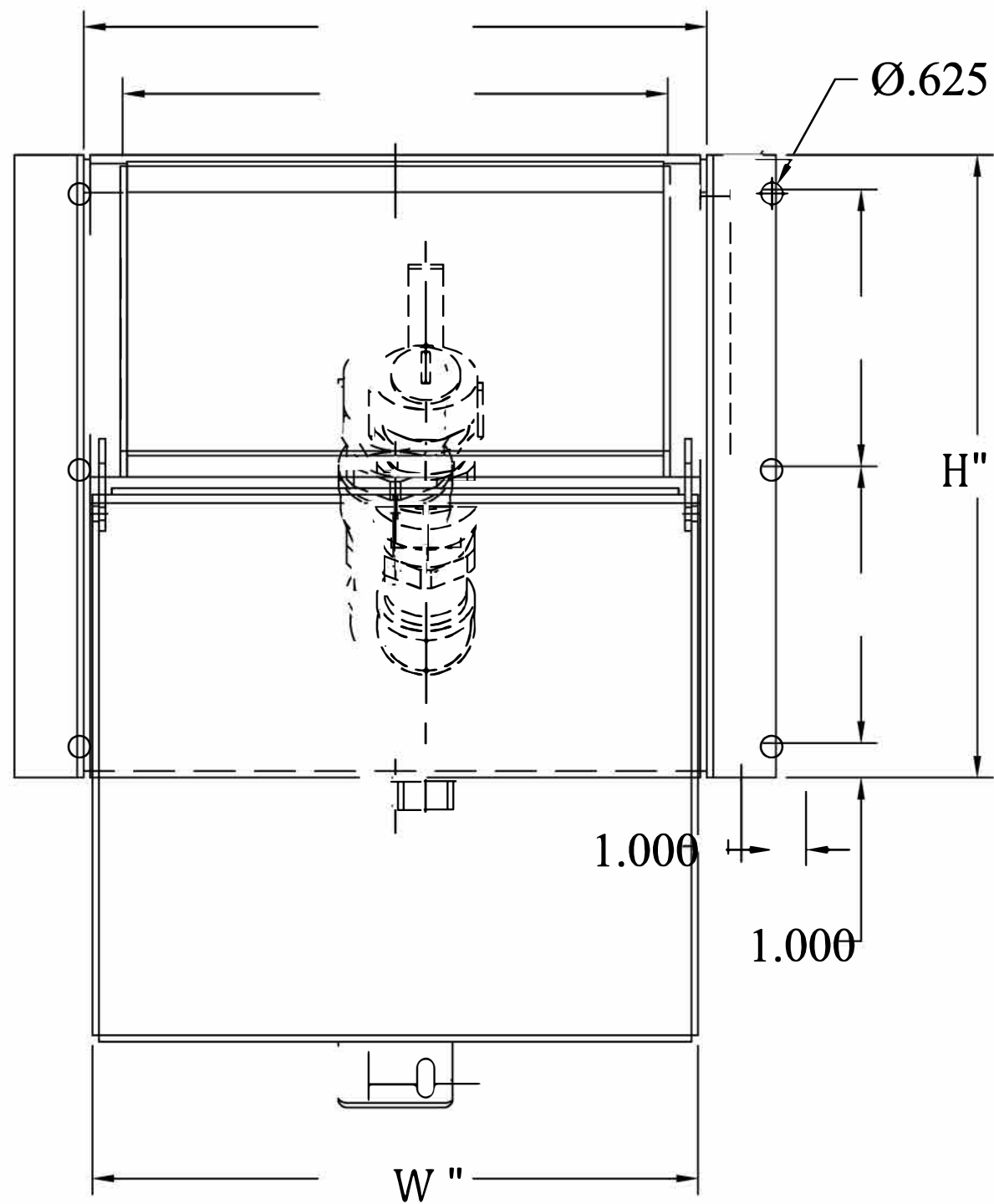
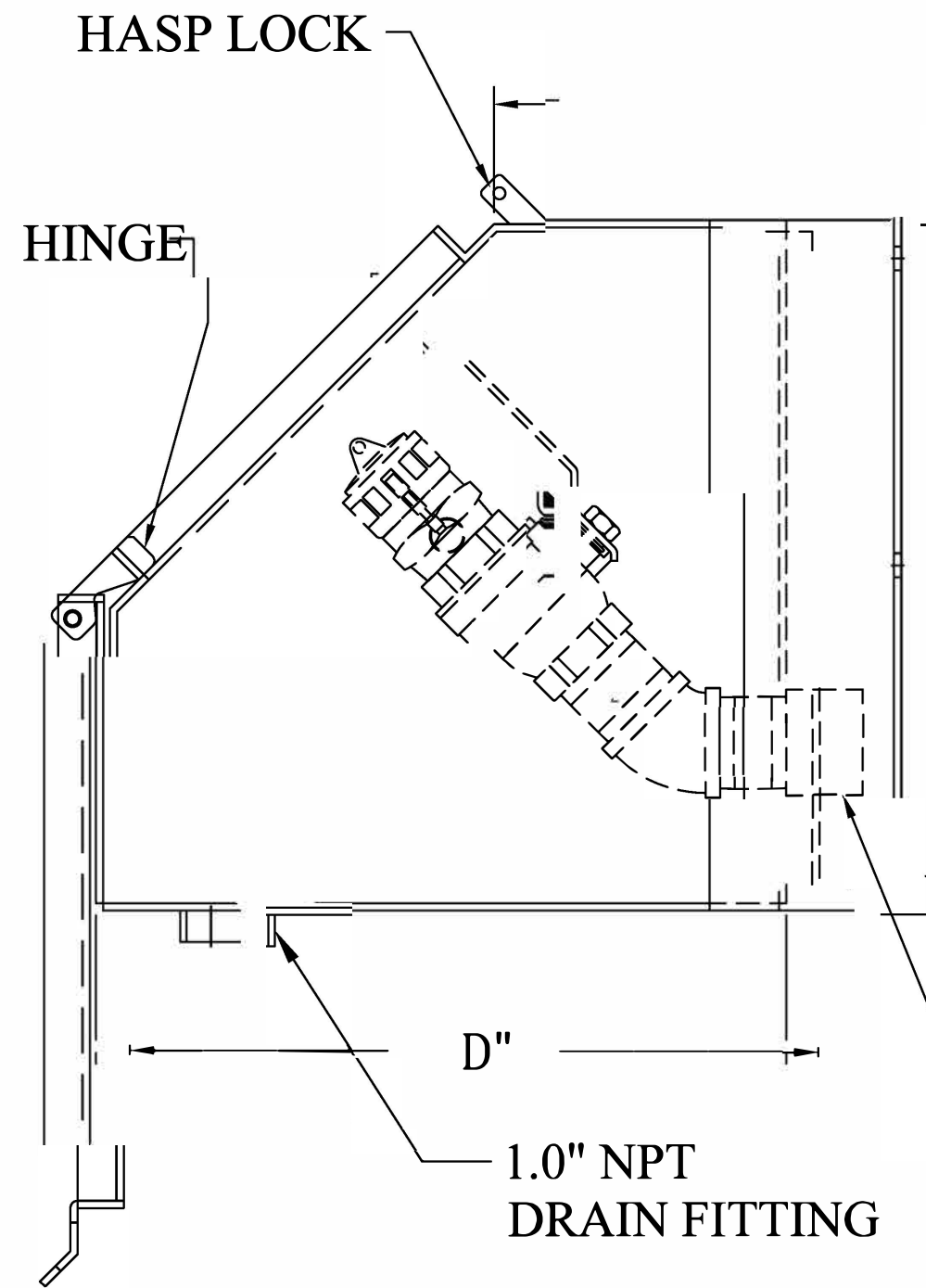


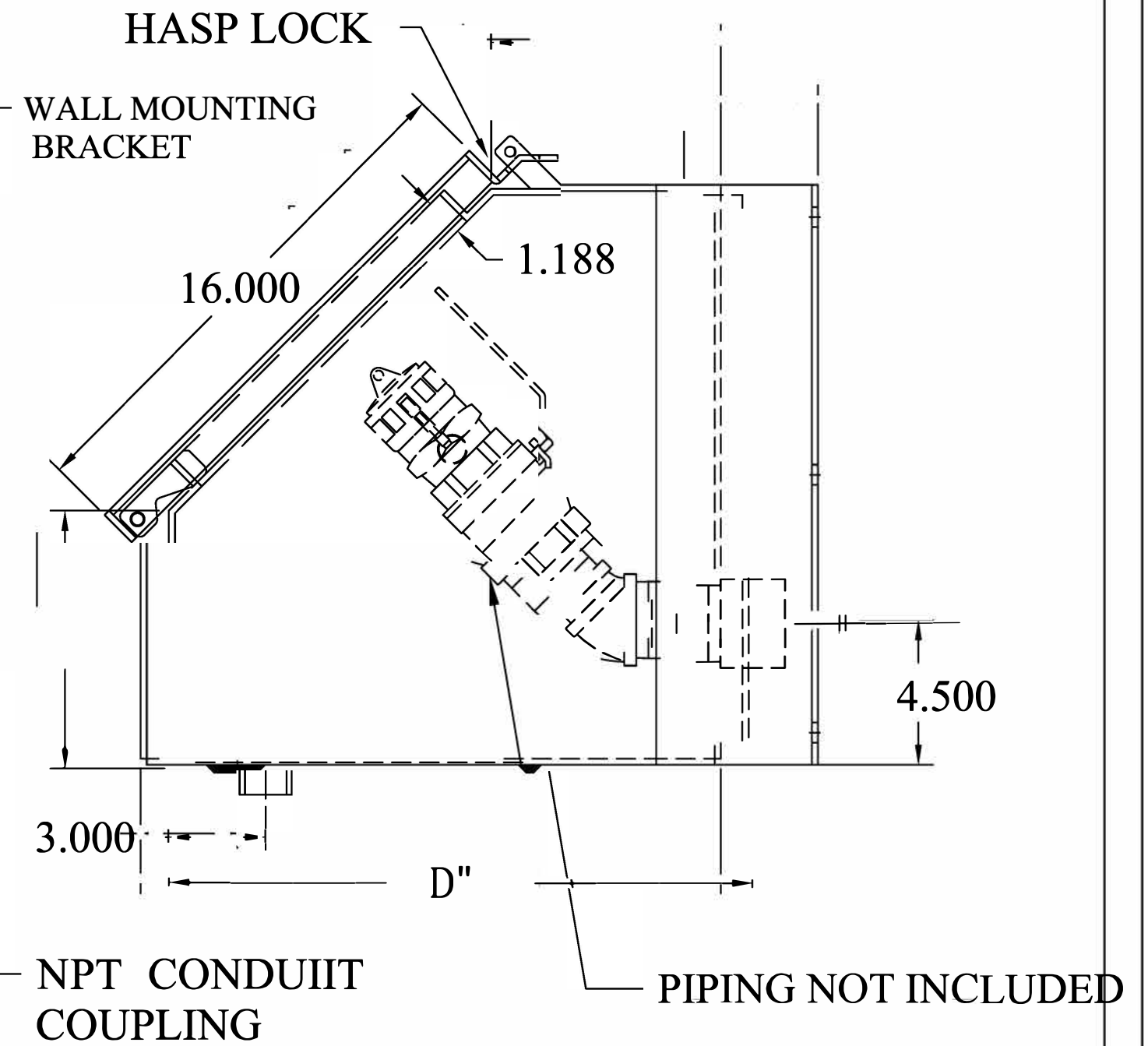
FRONT VIEW
DOOR OPEN



DOOR OPEN



DOOR CLOSED



STANDARD FEATURES

- 7 GA. 316L STAINLESS STEEL ALL WELDED CONSTRUCTION
- 7 GA. 316L LOCKABLE HINGED DOOR
- 7 GA. 316L STAINLESS STEEL WALL MOUNTING BRACKETS
- 2" COUPLING (PIPING NOT INCLUDED)
- 1.0 NPT DRAIN FITTING
- MADE IN USA

OTHER OPTIONS

- NO BRACKETS
- FLOOR MOUNT BRACKETS
- LEGS
- 3" NPT COUPLING

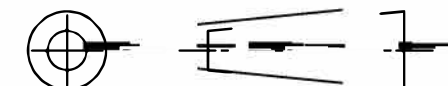
FOR ADDING OTHER OPTIONS CHECK THE
DESIRED OPTIONS .
THEN EMAIL OR FAX THIS SHEET TO
FAIRFIELD INDUSTRIES.

DO NOT SCALE DRAWING

UNLESS OTHERWISE SPECIFIED,
DIMENSIONS ARE IN INCHES.

TOLERANCES ON ANGLES: ± 1°
FRACTIONAL: ± 1/64
2-PLACE DECIMALS: ± 0.05
3-PLACE DECIMALS: ± 0.005

THIRD ANGLE PROJECTION



FAIRFIELD INDUSTRIES, INC

4483 CHOPPEE ROAD, GEORGETOWN SC 29440

PHONE: 843-461-3894 FAX: 843-461-3907

DESCRIPTION
CHEMICAL SPILL CUT SHEET

SIZE C ₁	SCALE NTS	DWG. NO D051319-3	C.REV -	REV 1
------------------------	--------------	----------------------	------------	----------

DRAWN BY D. NETTLES	DATE 05/13/19	SHT 1 OF 3
------------------------	------------------	---------------