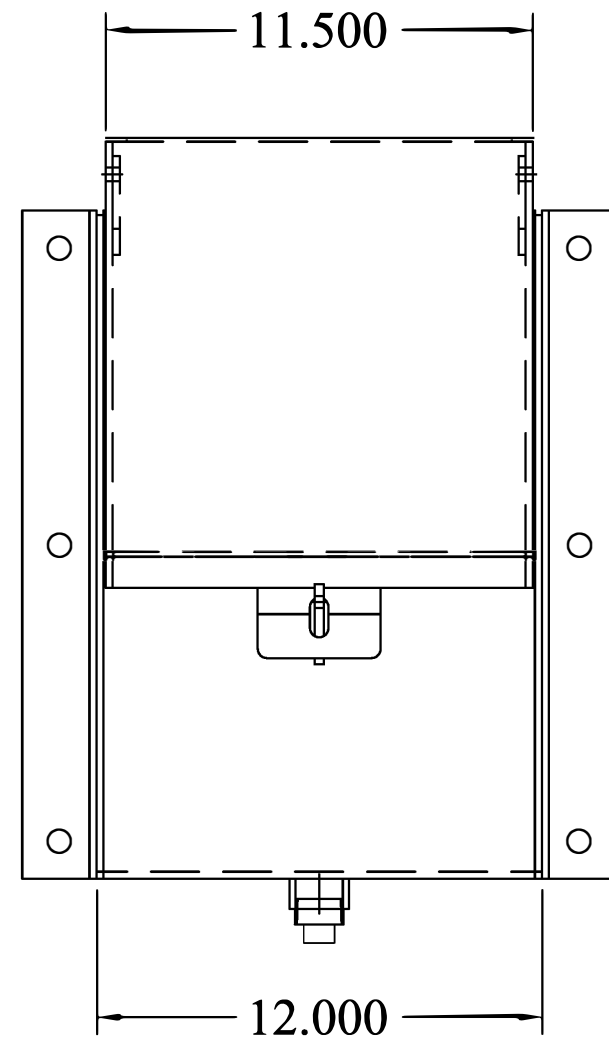
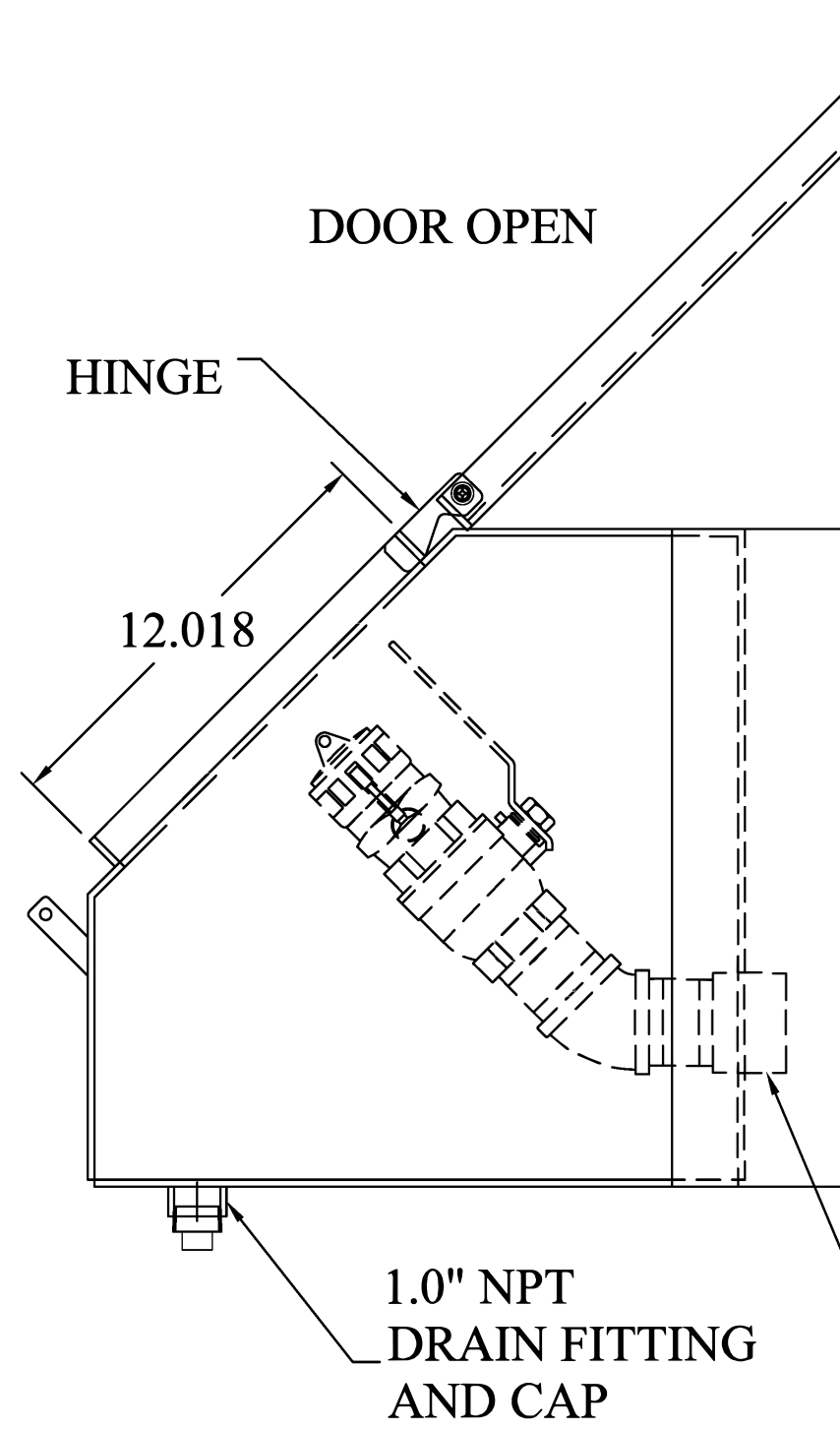


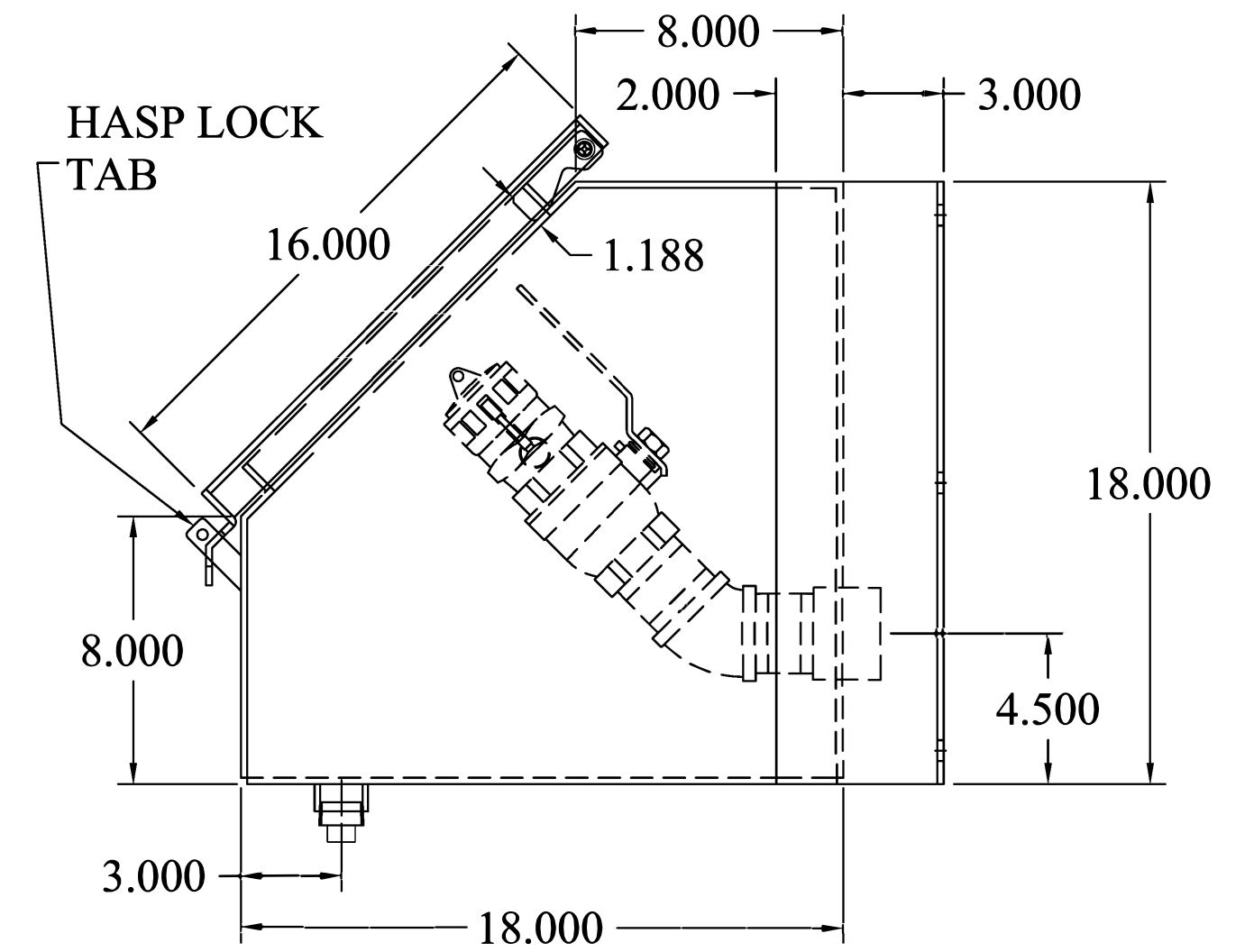
FRONT VIEW  
DOOR CLOSED



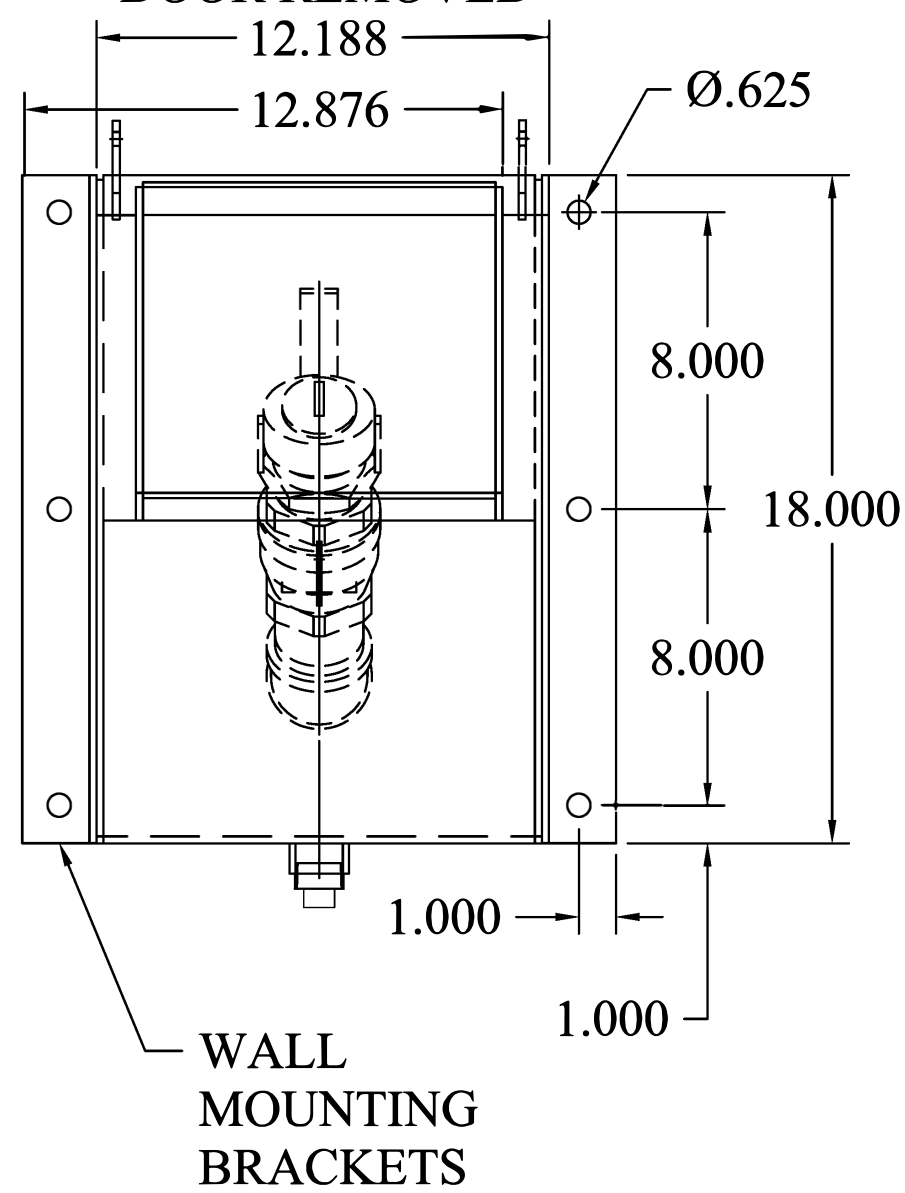
DOOR OPEN



DOOR CLOSED



FRONT VIEW  
DOOR REMOVED



**FEATURES:**

- 7 GA. 316L STAINLESS STEEL ALL WELDED CONSTRUCTION
- 7 GA. 316L STAINLESS STEEL LOCKABLE HINGED DOOR
- ONE (1) 2" NPT COUPLING (PIPING NOT INCLUDED)
- 7 GA. 316L STAINLESS STEEL WALL MOUNTING BRACKETS
- 1.0" NPT DRAIN FITTING AND CAP
- MADE IN USA

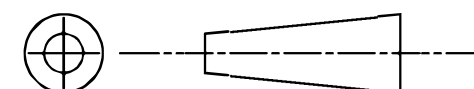
This document is proprietary and confidential. No part of this document may be disclosed in any manner to a third party without the prior written consent of Fairfield Industries

**DO NOT SCALE DRAWING**

UNLESS OTHERWISE SPECIFIED,  
DIMENSIONS ARE IN INCHES.

TOLERANCES ON ANGLES:  $\pm 1^\circ$   
FRACTIONAL:  $\pm 1/64$   
2-PLACE DECIMALS:  $\pm 0.05$   
3-PLACE DECIMALS:  $\pm 0.005$

THIRD ANGLE PROJECTION



**FAIRFIELD INDUSTRIES, INC**

4483 CHOPPEE ROAD, GEORGETOWN SC 29440

PHONE: 843-461-3894

FAX: 843-461-3907

DESCRIPTION

CS12-18

SIZE

SCALE

DWG. NO

C.REV

REV

C

NTS

D021221-8

-

1

DRAWN BY

D NETTLES

DATE

02/12/21

SHT

1 OF 3