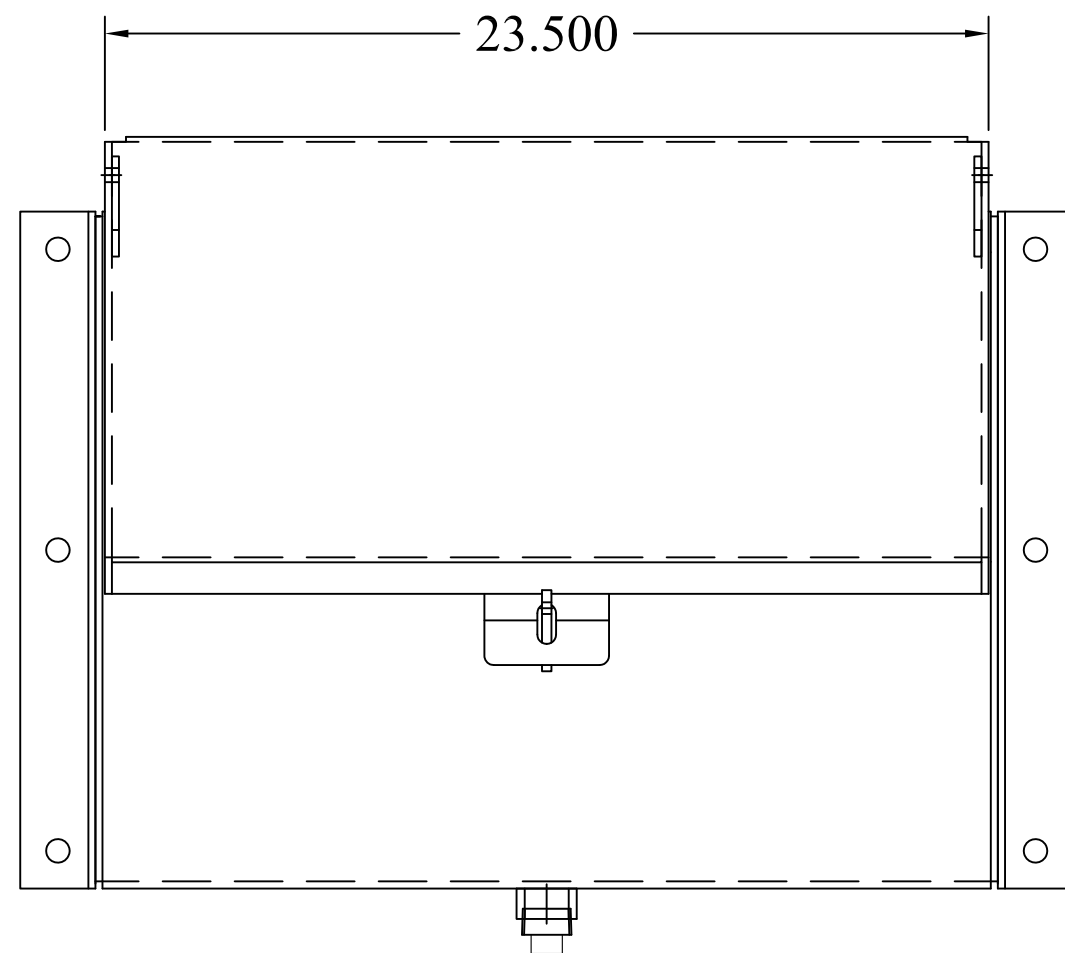
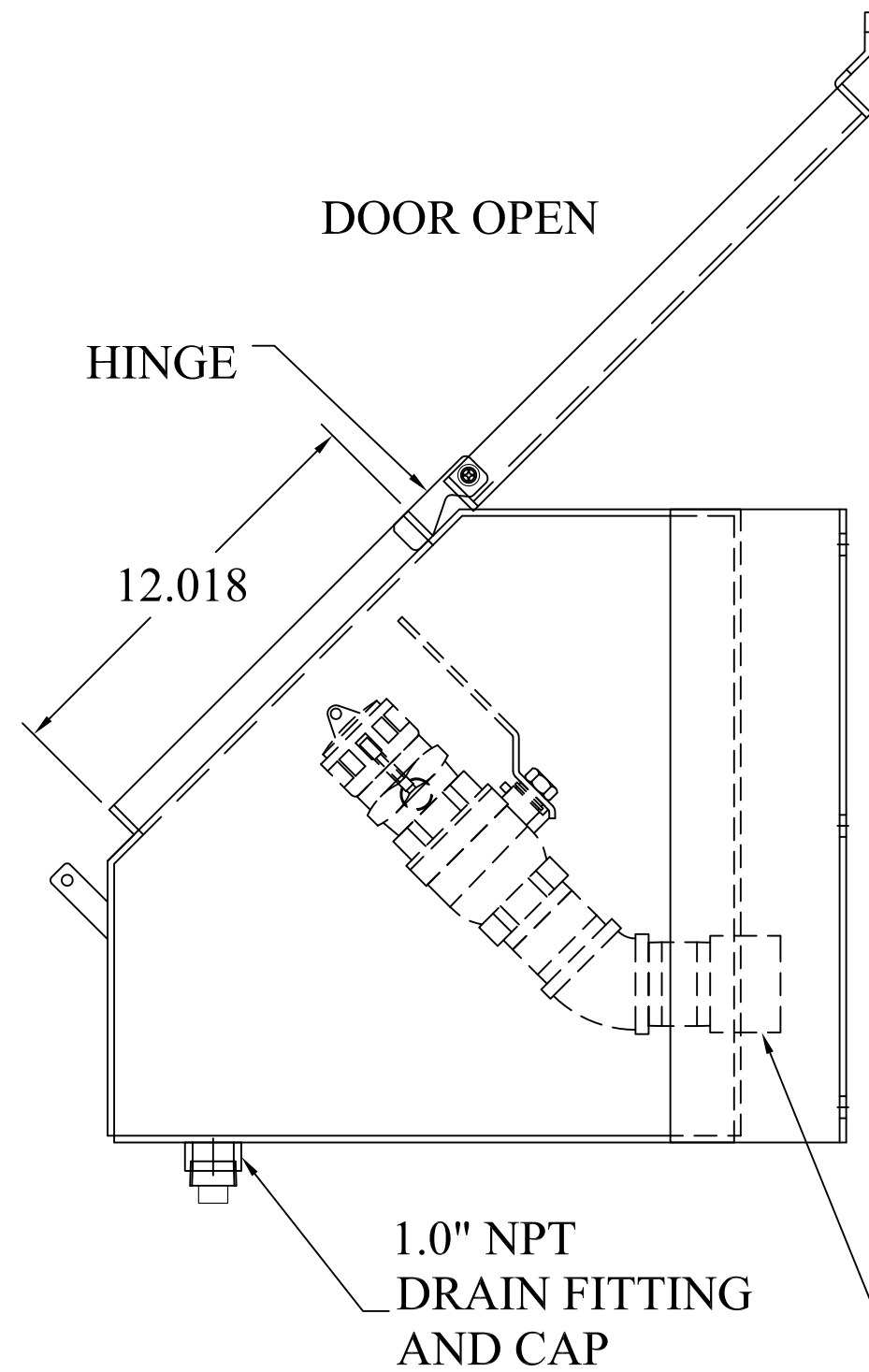


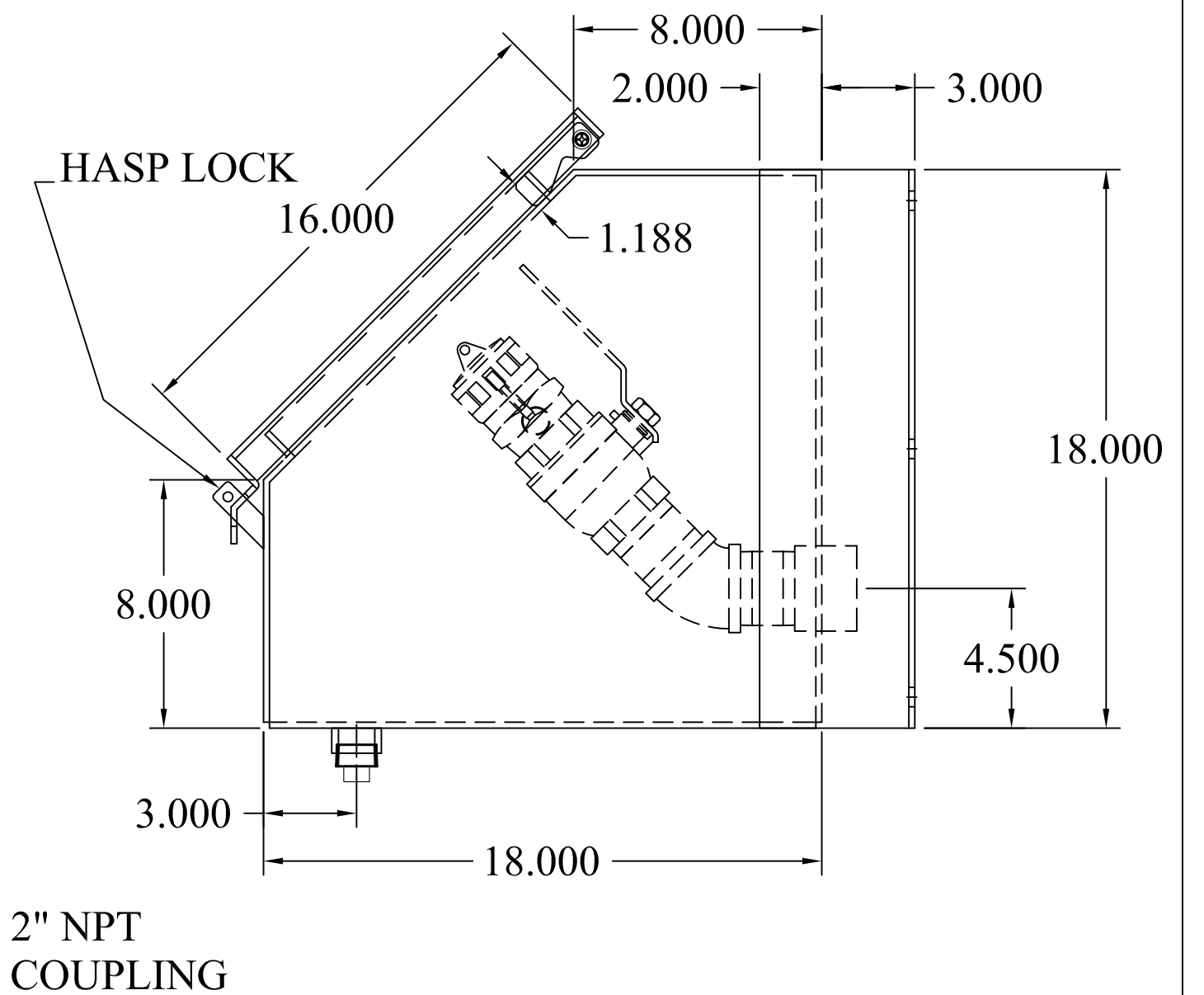
FRONT VIEW
DOOR REMOVED



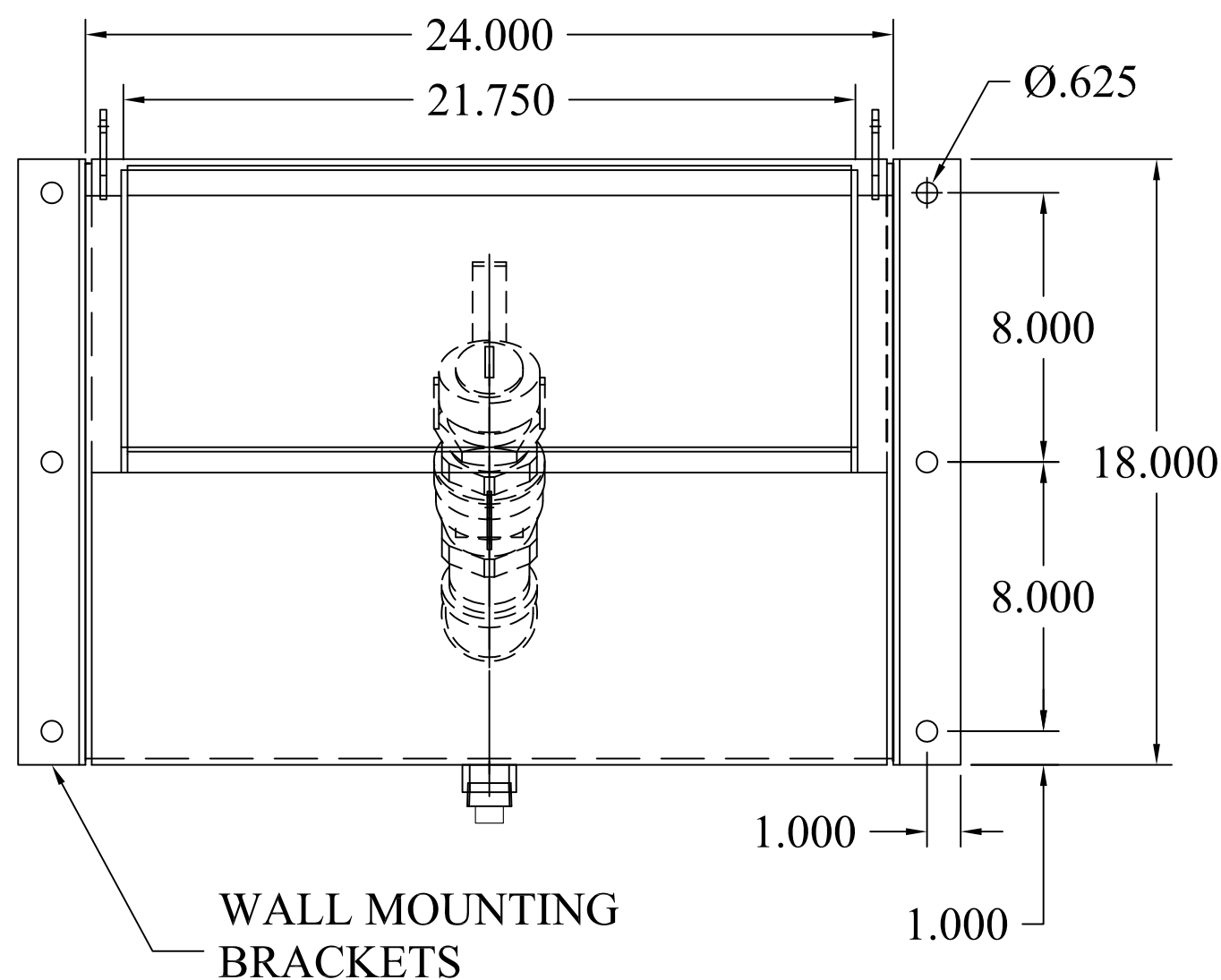
DOOR OPEN



DOOR CLOSED



FRONT VIEW
DOOR REMOVED



FEATURES:

- 7 GA. 316L STAINLESS STEEL ALL WELDED CONSTRUCTION
- 7 GA. 316L STAINLESS STEEL LOCKABLE HINGED DOOR
- ONE (1) 2" CONDUIT COUPLINGS (PIPING NOT INCLUDED)
- 7 GA. 316L STAINLESS STEEL WALL MOUNTING BRACKETS
- 1.0" NPT DRAIN FITTING AND CAP
- MADE IN USA

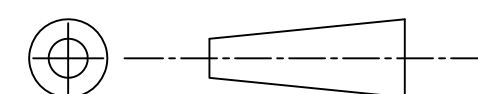
This document is proprietary and confidential. No part of this document may be disclosed in any manner to a third party without the prior written consent of Fairfield Industries

DO NOT SCALE DRAWING

UNLESS OTHERWISE SPECIFIED,
DIMENSIONS ARE IN INCHES.

TOLERANCES ON ANGLES: ± 1°
FRACTIONAL: ± 1/64
2-PLACE DECIMALS: ± 0.05
3-PLACE DECIMALS: ± 0.005

THIRD ANGLE PROJECTION



FAIRFIELD INDUSTRIES, INC

4483 CHOPPEE ROAD, GEORGETOWN SC 29440

PHONE: 843-461-3894

FAX: 843-461-3907

DESCRIPTION
CS24-18

SIZE C	SCALE NTS	DWG. NO D032421-2	C.REV -	REV 1
DRAWN BY D NETTLES		DATE 03/24/21	SHT 1 OF 3	