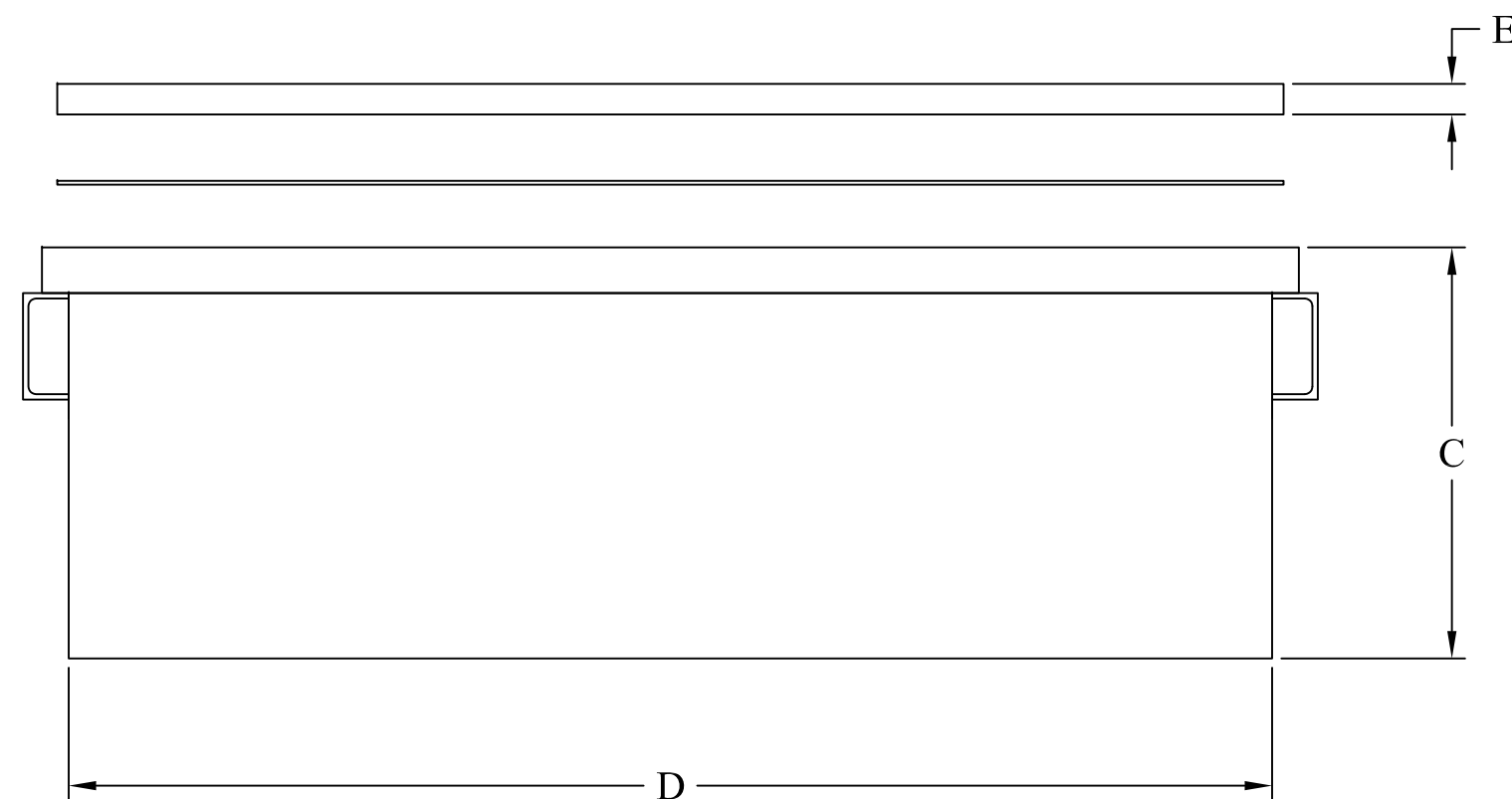
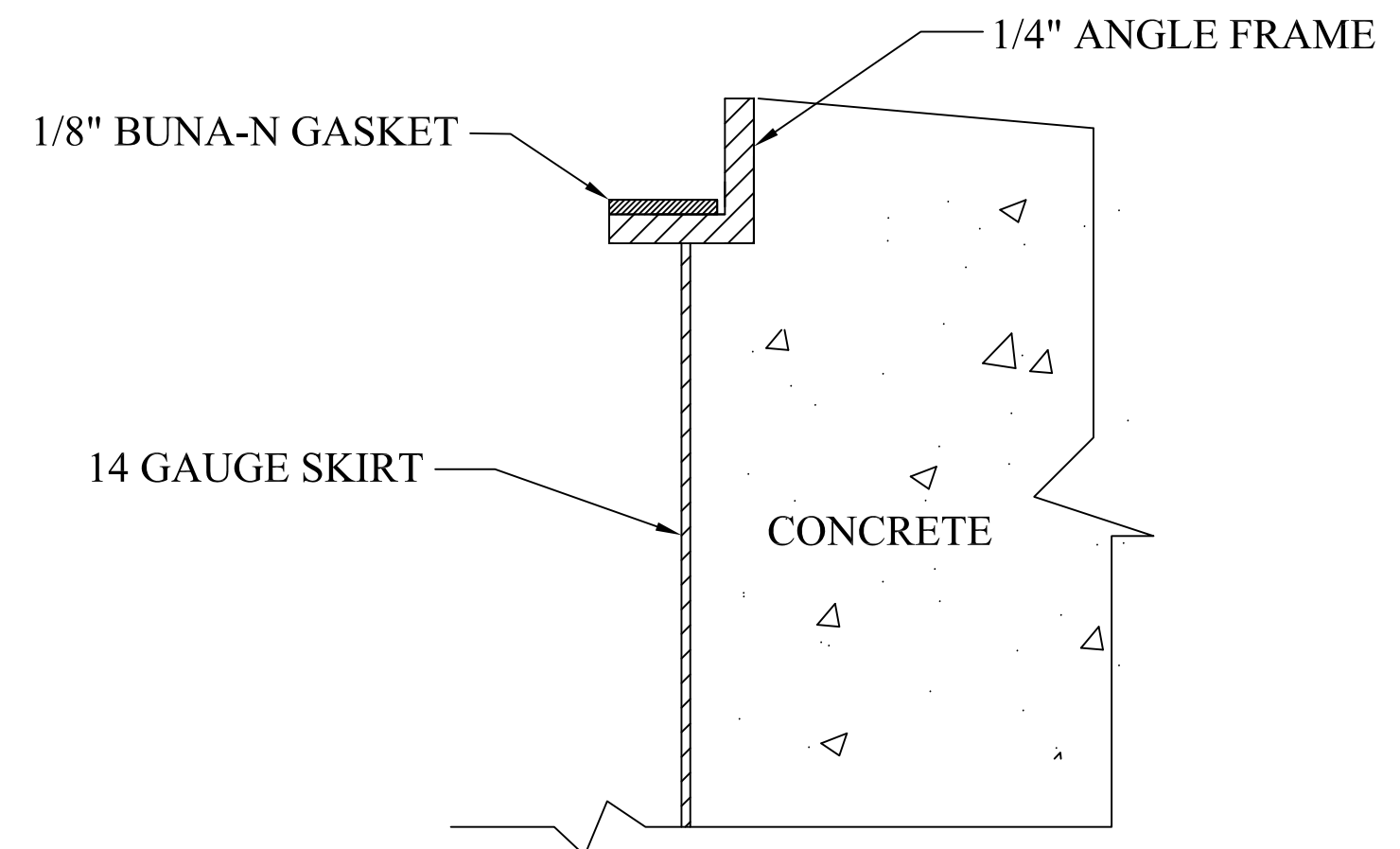
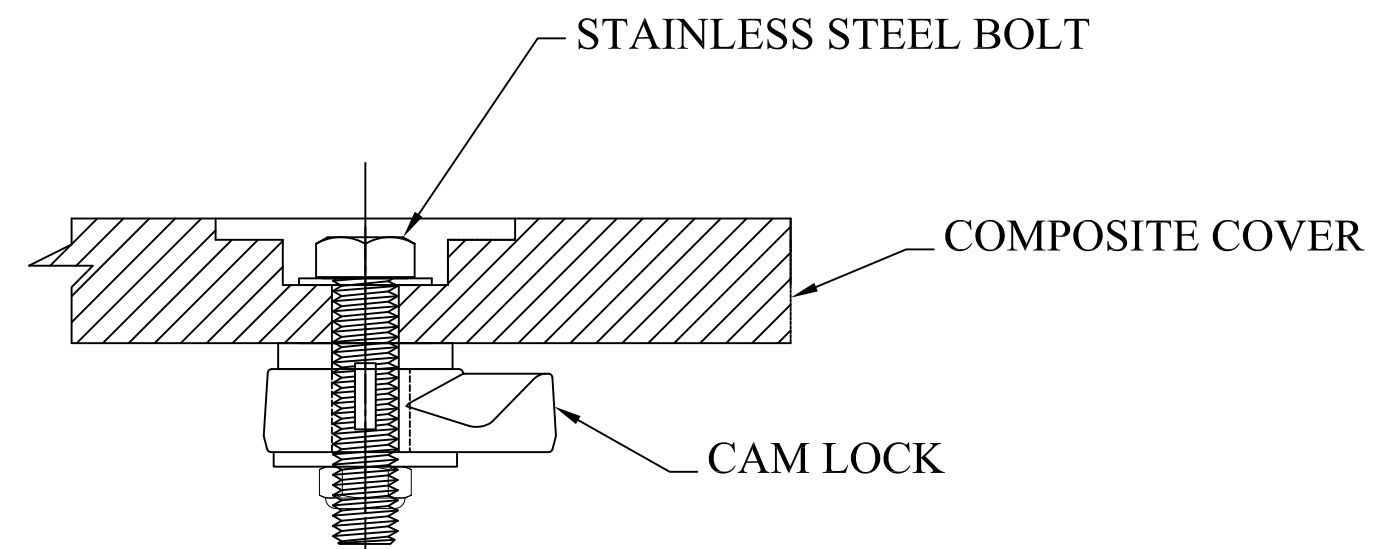
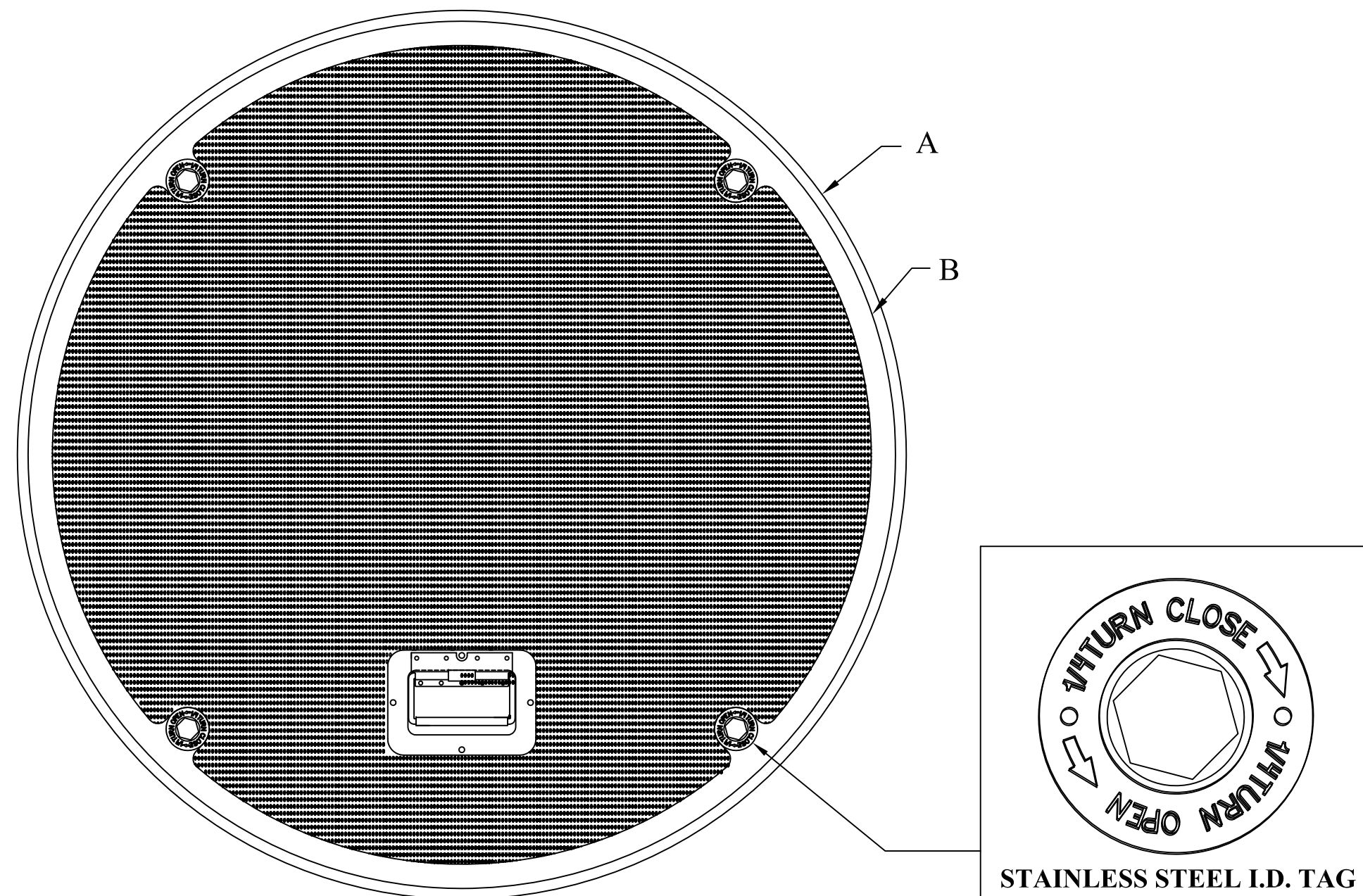


# COMPOSITE MANHOLES



## FEATURES:

- COMPOSITE COVER RATED FOR H-20 TRUCK LOADS
- 14 GAUGE STEEL SKIRT
- STAINLESS STEEL RECESSED WATER-TIGHT LIFTING HANDLE FOR EASY REMOVAL
- OPTIONAL FOUR (4) CAM LOCKS WITH I.D. TAG AND
- 1/8" BUNA-N GASKET
- CHANNEL-STYLE CONCRETE ANCHORS
- ALL STEEL IS COATED WITH A RUST-PREVENTIVE PAINT.
- MADE IN USA

This document is proprietary and confidential. No part of this document may be disclosed in any manner to a third party without the prior written consent of Fairfield Industries

COMPOSITE MANHOLES					
MODEL	A	B	C	D	E
390 HD	40"	39.25"	13.25"	37"	1.125"
390 WTLC	40"	39.25"	13.25"	37"	1.125"
440 HD	45"	44.25"	13.25"	42"	1.125"
440WTLC	45"	44.25"	13.25"	42"	1.125"

DO NOT SCALE DRAWING  
UNLESS OTHERWISE SPECIFIED,  
DIMENSIONS ARE IN INCHES.

TOLERANCES ON ANGLES:  $\pm 1^\circ$   
FRACTIONAL:  $\pm 1/64$   
2-PLACE DECIMALS:  $\pm 0.05$   
3-PLACE DECIMALS:  $\pm 0.005$

THIRD ANGLE PROJECTION

FAIRFIELD INDUSTRIES, INC					
4483 CHOPPEE ROAD, GEORGETOWN SC 29440					
PHONE: 843-461-3894			FAX: 843-461-3907		
DESCRIPTION COMPOSITE MANHOLES					
SIZE C	SCALE NTS	DWG. NO D082918-3	C.REV 2	REV 2	
DRAWN BY D. NETTLES		DATE 08/29/18	SHT 1 OF 1		