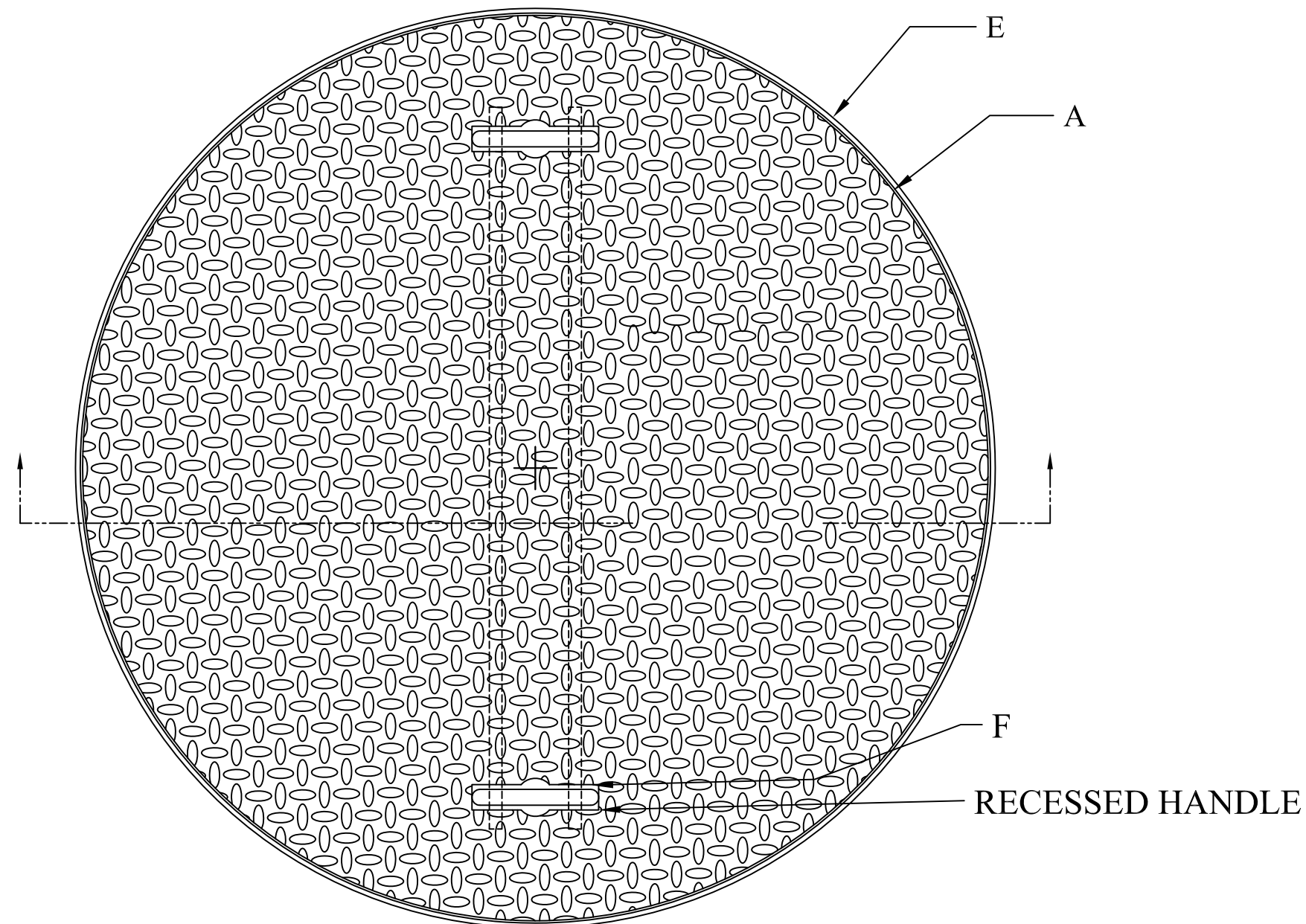
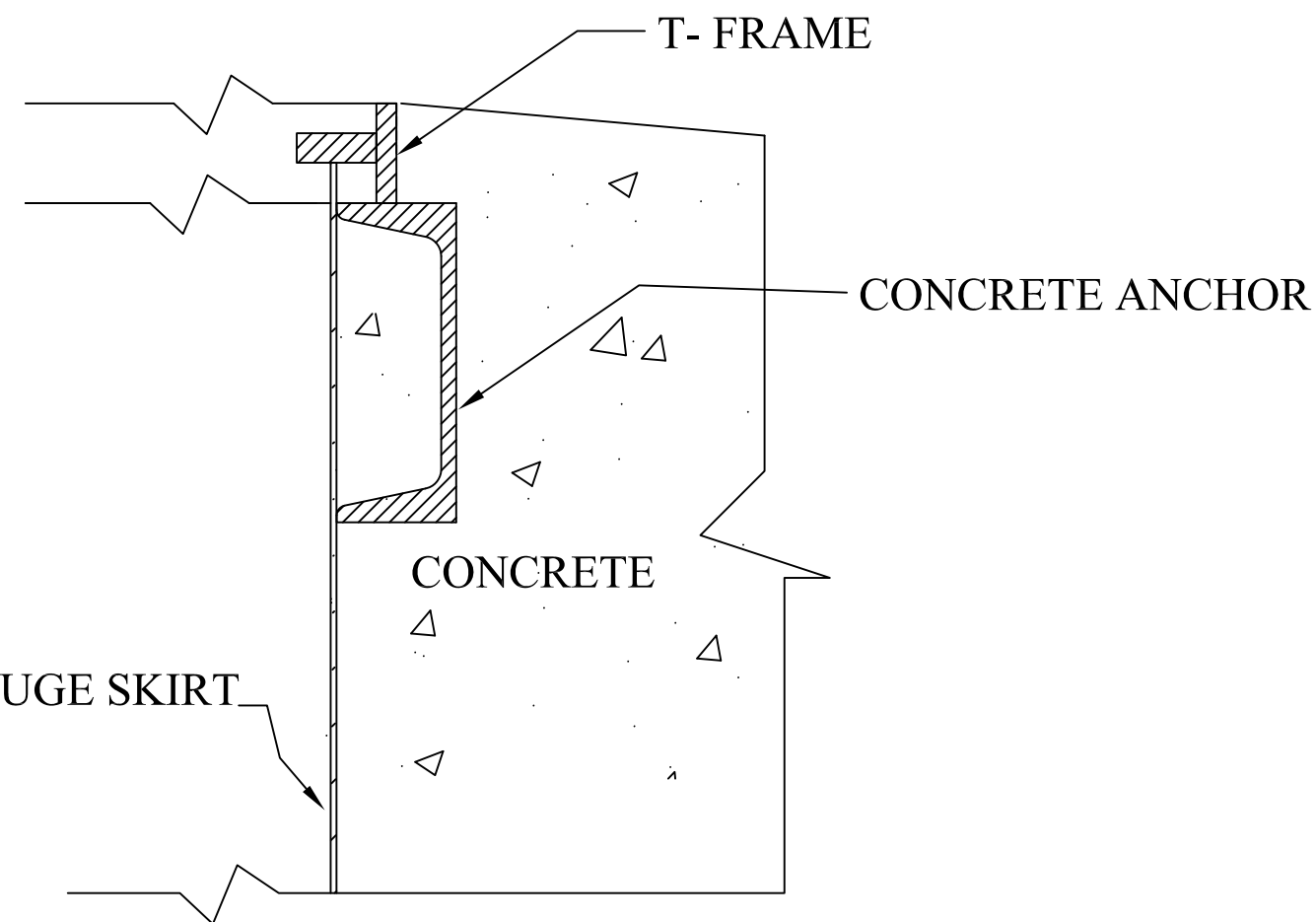
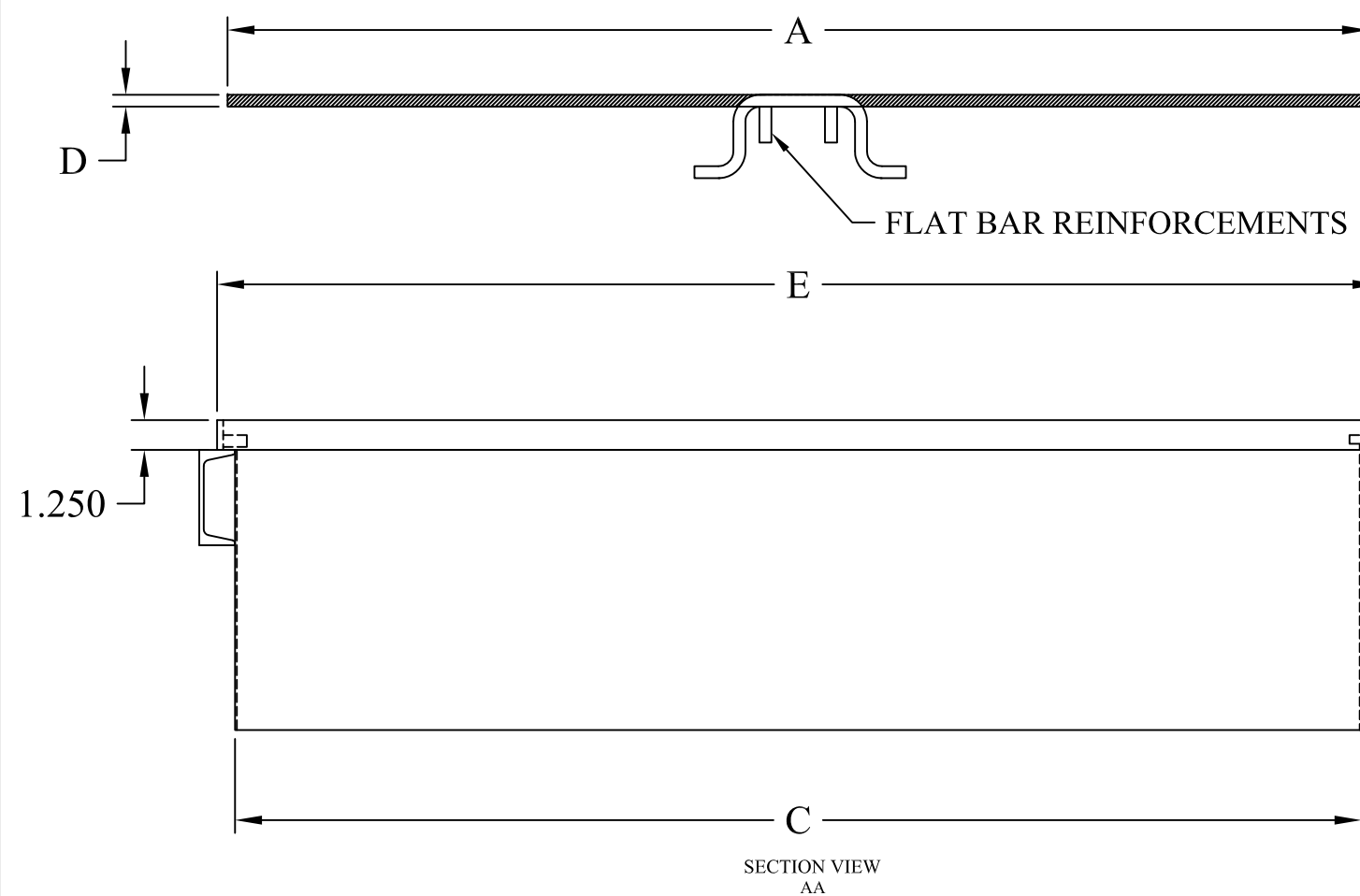


LARGE HEAVY DUTY MANHOLES

- CONCRETE CHANNEL ANCHORS.
- DIAMOND PLATE STEEL COVERS REINFORCED FOR H-20 TRUCKLOAD RATING.
- 14 GA. STEEL SKIRTS.
- RECESSED HANDLE(S) FOR EASE OF COVER REMOVAL.
- COMPLETE WELDED CONSTRUCTION.
- ALL STEEL COATED WITH RUST PREVENTIVE PAINT.
- FULL ACCESS DESIGN.
- 24" DIA. HAS FINGER HOLE ONLY IN COVER.



HEAVY DUTY MANHOLES						
MODEL	A	B	C	D	E	F
240 HD	23.75"	13"	23.25"	3/8"	24.5"	1
300 HD	29.75"	13"	29.25"	3/8"	30.5"	1
360 HD	35.75"	13"	35.25"	3/8"	36.5"	2
380 HD	37.75"	13"	37.25"	3/8"	38.5"	2
420 HD	41.75"	13"	41.25"	1/2"	42.5"	2
480 HD	47.75"	13"	46.25"	1/2"	48.5"	2



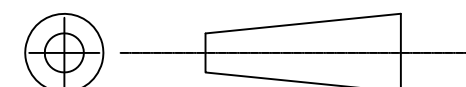
DO NOT SCALE DRAWING
 UNLESS OTHERWISE SPECIED
 DIMENSIONS ARE IN INCHES.
 TOLERANCES ON ANGLES: ± 1°
 FRACTIONAL: ± 1/16
 2-PLACE DECIMALS: ± 0.062
 3-PLACE DECIMAL: ± 0.032

FAIRFIELD INDUSTRIES, INC
 4483 CHOPPEE ROAD, GEORGETOWN SC 29440
 PHONE: 843-461-3894 FAX: 843-461-3907

DESCRIPTION
LARGE HEAVY DUTY MANHOLES

This document is proprietary and confidential. No part of this document may be disclosed in any manner to a third party without the prior written consent of Fairfield Industries

THIRD ANGLE PROJECTION



SIZE C	SCALE NTS	DWG.NO. D021618-3	REV. 1
DRAWN BY D NETTLES		DATE 02/16/18	SHT. 1 OF 1