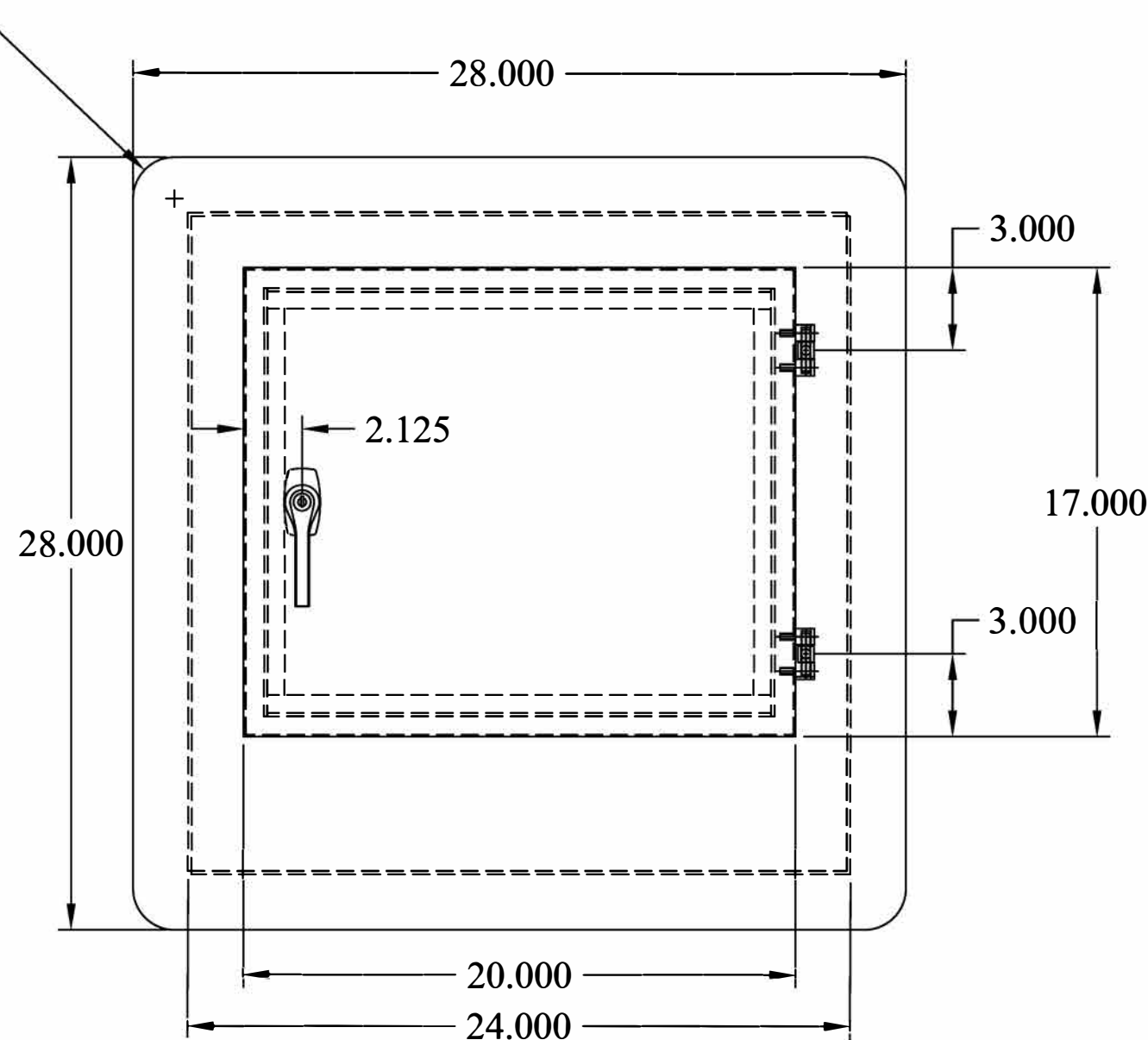
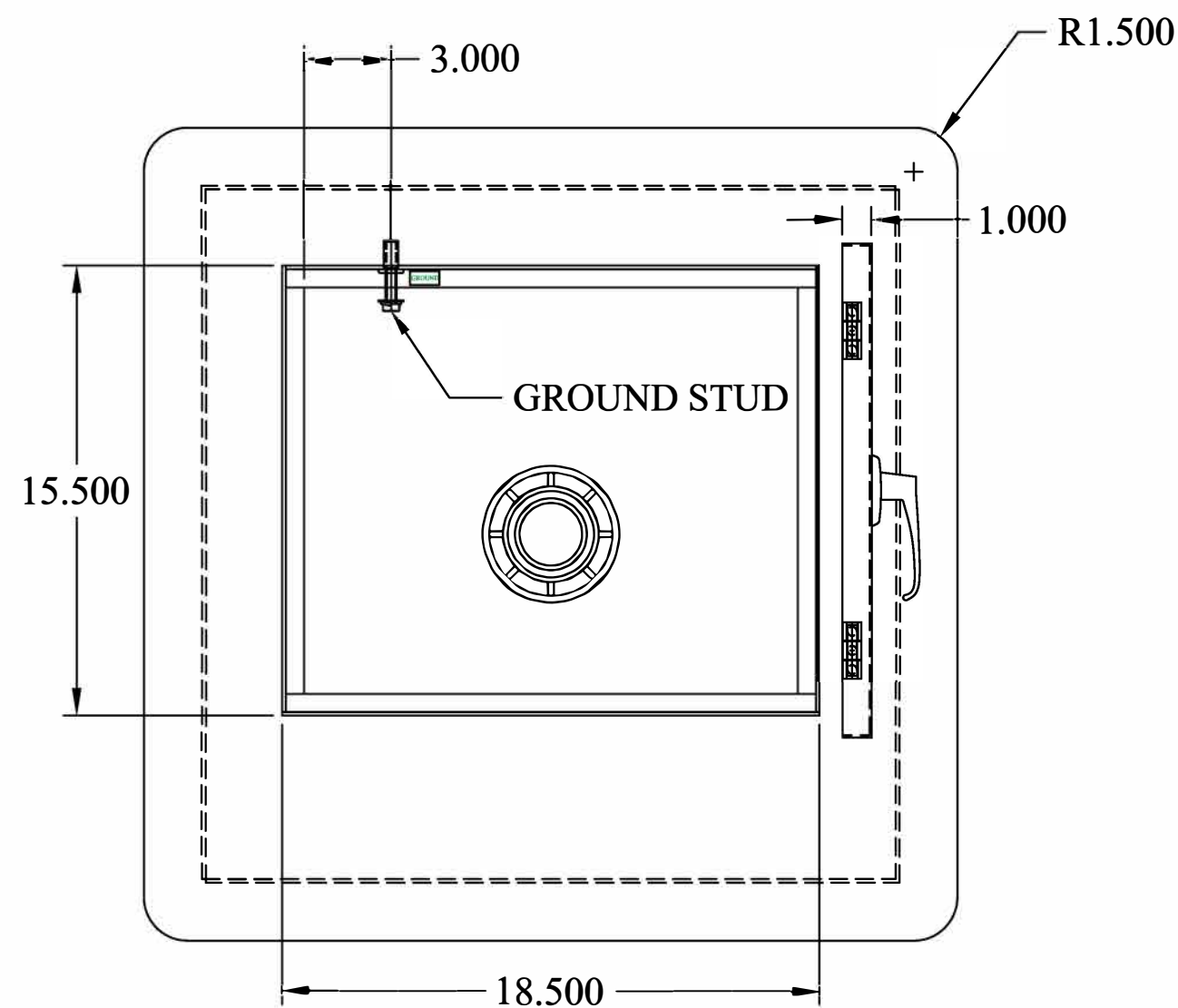


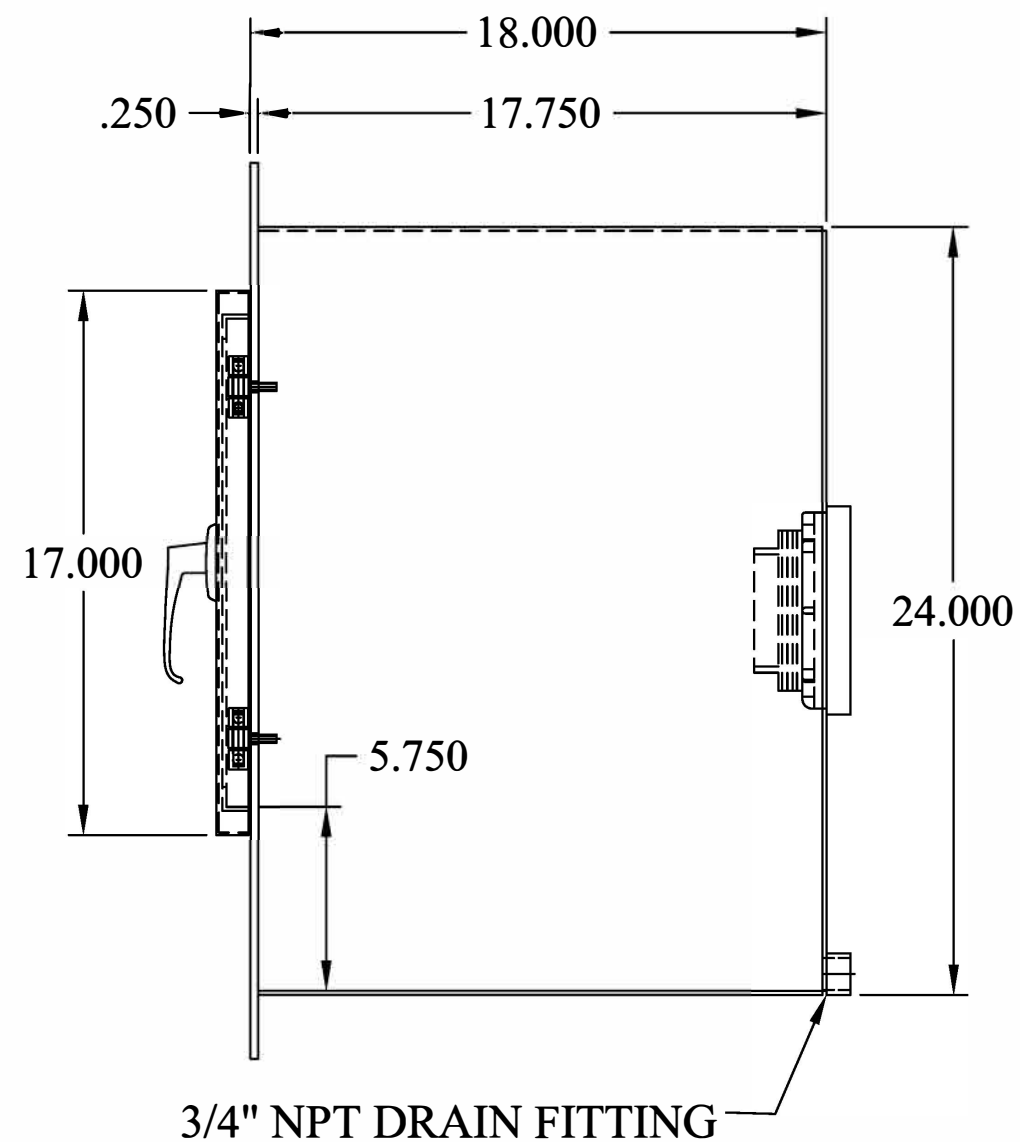
REAR VIEW



FRONT VIEW



FRONT VIEW
(DOOR OPEN)



3/4" NPT DRAIN FITTING

FEATURES:

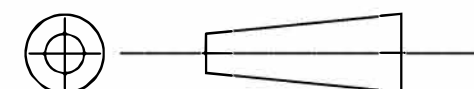
- 11 GAUGE 304 STAINLESS STEEL, ALL WELDED CONSTRUCTION
- 14 GAUGE 304 STAINLESS STEEL LOCKABLE, HINGED, GASKET-SEALED DOOR
- 1/4" 304 STAINLESS STEEL, FLUSH MOUNTING FLANGE
- 7.0 GALLON CAPACITY
- ONE (1) FLEXIBLE ENTRY FITTING (2, 3, 4")
- ONE (1) 3/4" NPT DRAIN CONNECTION
- ONE (1) GROUND STUD
- MADE IN USA

This document is proprietary and confidential. No part of this document may be disclosed in any manner to a third party without the prior written consent of Fairfield Industries

DO NOT SCALE DRAWING
UNLESS OTHERWISE SPECIFIED,
DIMENSIONS ARE IN INCHES.

TOLERANCES ON ANGLES: $\pm 1^\circ$
FRACTIONAL: $\pm 1/64$
2-PLACE DECIMALS: ± 0.05
3-PLACE DECIMALS: ± 0.005

THIRD ANGLE PROJECTION



FAIRFIELD INDUSTRIES, INC

4483 CHOPPEE ROAD, GEORGETOWN SC 29440

PHONE: 843-461-3894 FAX: 843-461-3907

DESCRIPTION

RFP-24-18F-1 PORT

SIZE C	SCALE NTS	DWG. NO D012318-1	C.REV 1	REV 1
DRAWN BY D NETTLES		DATE 07/29/20	SHT 1 OF 1	