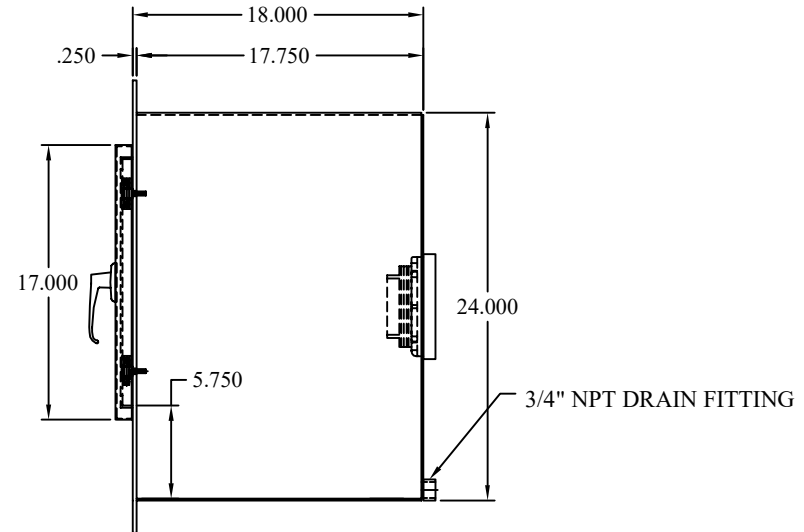
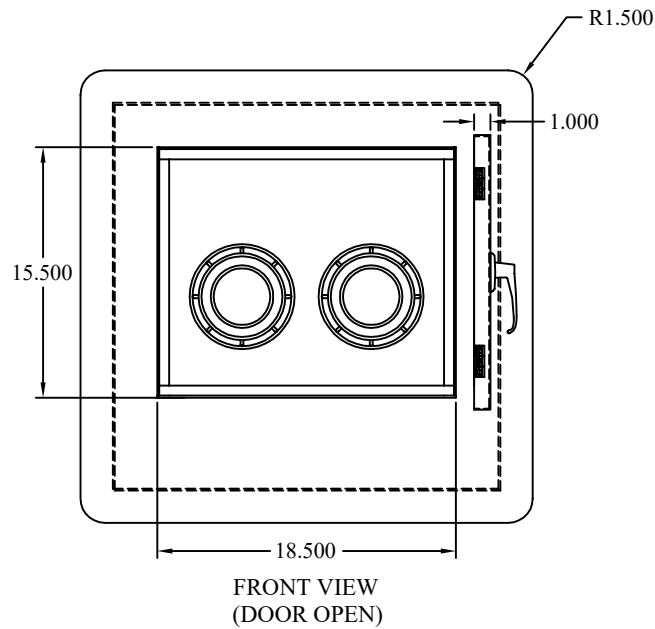
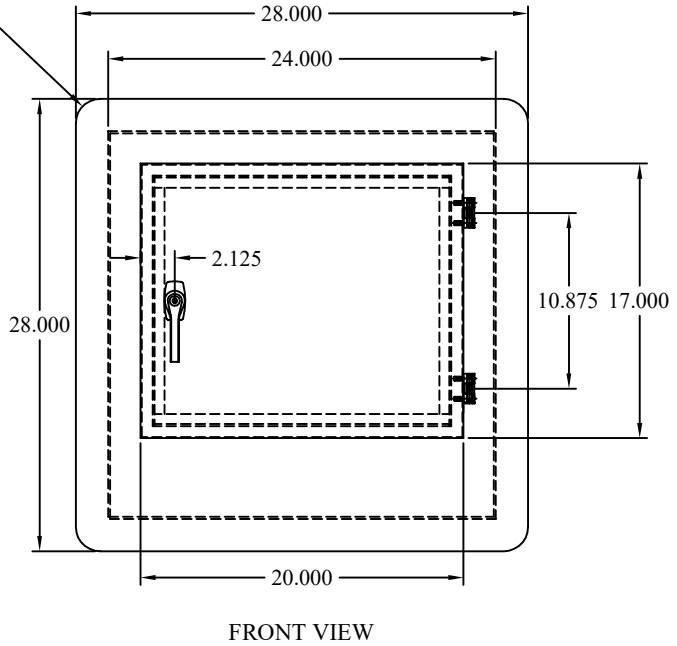
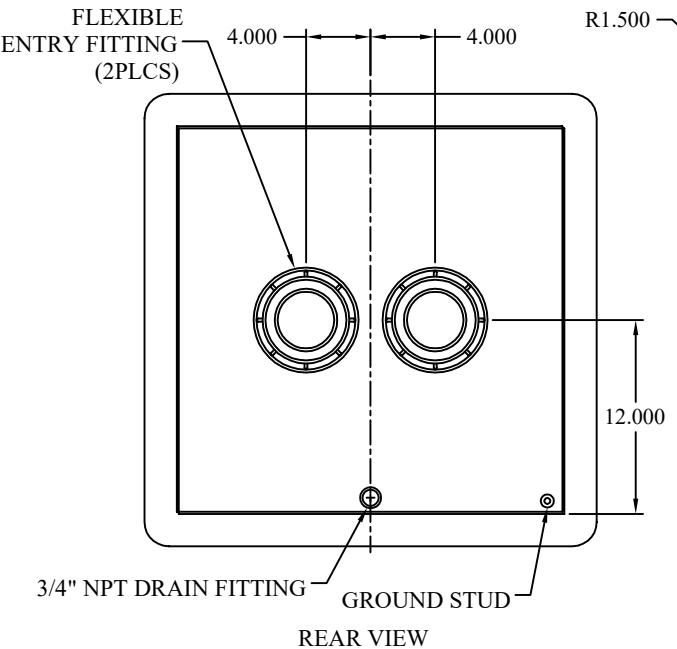


**FEATURES:**

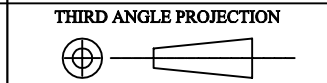
- 11 GAUGE 304 STAINLESS STEEL, ALL WELDED CONSTRUCTION
- 14 GAUGE 304 STAINLESS STEEL LOCKABLE, HINGED, GASKET-SEALED DOOR
- 1/4" 304 STAINLESS STEEL, FLUSH MOUNTING FLANGE
- 10.0 GALLON CAPACITY
- TWO (2) FLEXIBLE ENTRY FITTINGS (2,3,4")
- ONE (1) 3/4" NPT DRAIN CONNECTION
- ONE (1) GROUND STUD
- MADE IN USA



This document is proprietary and confidential. No part of this document may be disclosed in any manner to a third party without the prior written consent of Fairfield Industries

**DO NOT SCALE DRAWING**  
 UNLESS OTHERWISE SPECIFIED, DIMENSIONS ARE IN INCHES.  
 TOLERANCES ON ANGLES: ± 1°  
 FRACTIONAL: ± 1/64  
 2-PLACE DECIMALS: ± 0.05  
 3-PLACE DECIMALS: ± 0.005

**FAIRFIELD INDUSTRIES, INC**  
 4483 CHOPPEE ROAD, GEORGETOWN SC 29440  
 PHONE: 843-461-3894 FAX: 843-461-3907  
 DESCRIPTION **RFP-24-18F-2 PORT**



SIZE <b>C</b>	SCALE <b>NTS</b>	DWG. NO <b>S051617-3</b>	C.REV <b>-</b>	REV <b>1</b>
DRAWN BY <b>S BESHORE</b>		DATE <b>05/16/17</b>	SHT <b>1 OF 1</b>	