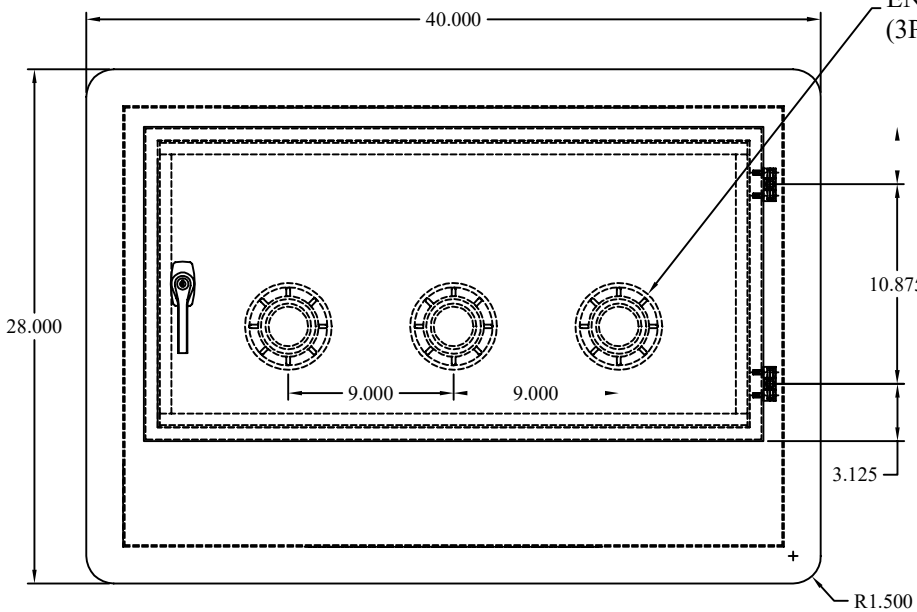
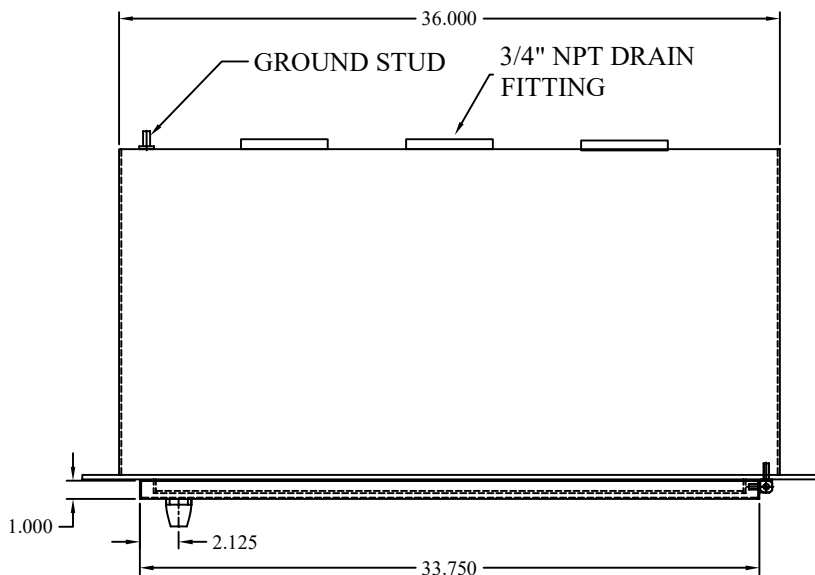


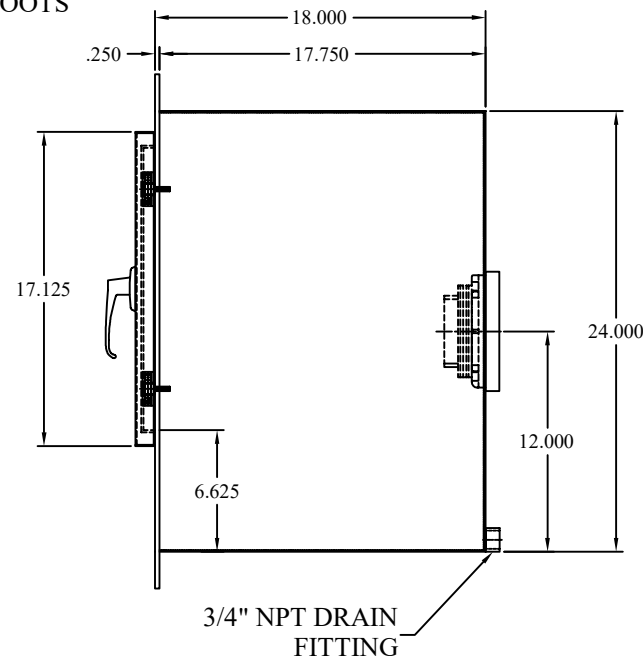
REMOTE FILL PORT-24 FLUSH MOUNT-3 PORT-18" DP.

FEATURES:

- 11 GAUGE 304 STAINLESS STEEL, ALL WELDED CONSTRUCTION
- 18 GALLON CAPACITY
- THREE (3) FLEX BOOTS (2, 3, OR 4")
- ONE (1) 3/4" NPT DRAIN CONNECTION
- ONE (1) GROUND STUD
- 14 GAUGE 304 STAINLESS STEEL LOCKABLE, HINGED, GASKET-SEALED DOOR
- 28" x 40" x 1/4" 304 STAINLESS STEEL FLUSH MOUNTING PLATE
- MADE IN USA



FLEXIBLE
ENTRY BOOTS
(3PLCS)



DO NOT SCALE DRAWING

UNLESS OTHERWISE SPECIFIED,
DIMENSIONS ARE IN INCHES.

TOLERANCES ON ANGLES: ± 1°
FRACTIONAL: ± 1/64
2-PLACE DECIMALS: ± 0.05
3-PLACE DECIMALS: ± 0.005

FAIRFIELD INDUSTRIES, INC

4483 CHOPPEE ROAD, GEORGETOWN SC 29440

PHONE: 843-461-3894

FAX: 843-461-3907

DESCRIPTION

RFP-24-18F-3 PORT

This document is proprietary and confidential. No part of this document may be disclosed in any manner to a third party without the prior written consent of Fairfield Industries

THIRD ANGLE PROJECTION



SIZE C	SCALE NTS	DWG. NO S041317-2	C.REV -	REV 1
DRAWN BY S BESHORE		DATE 04/13/17	SHT 1 OF 1	