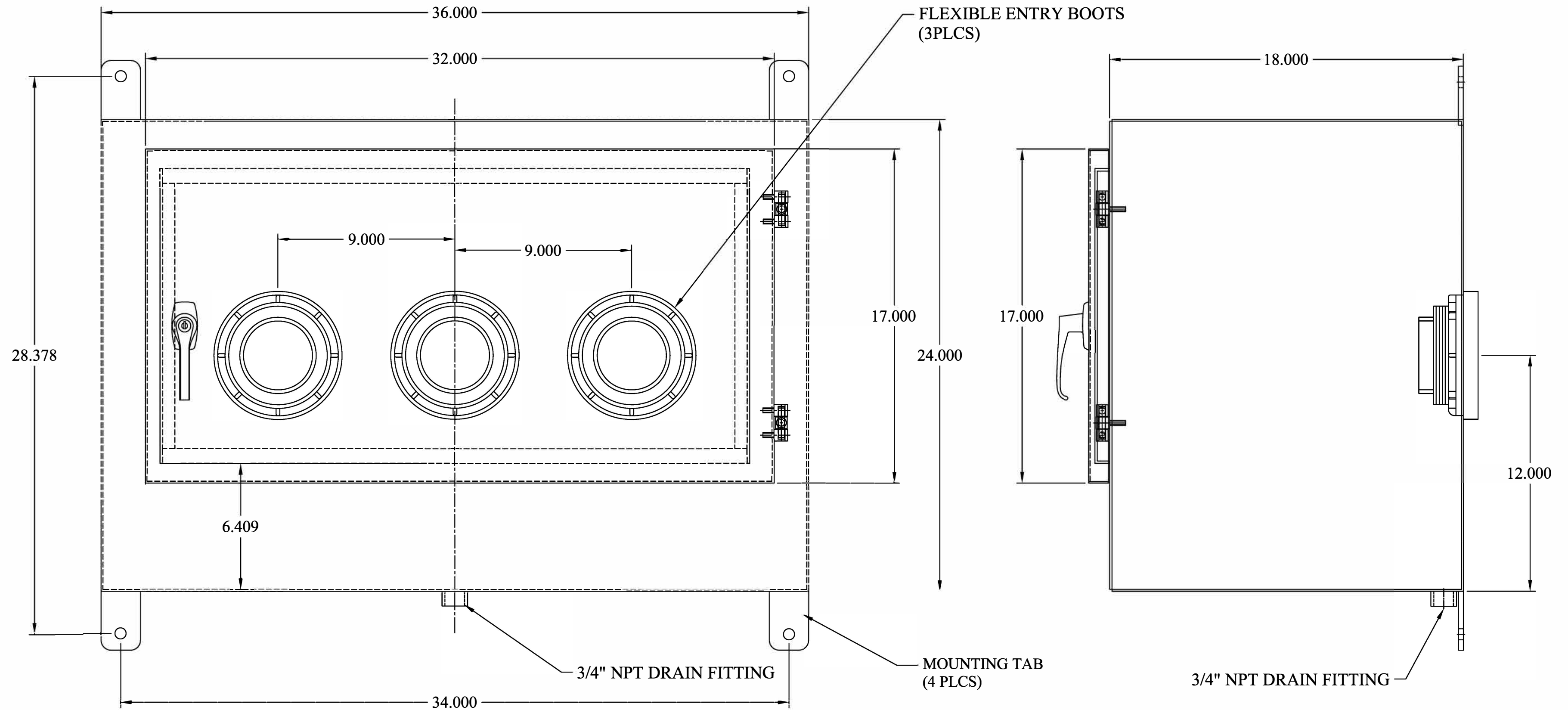


# REMOTE FILL PORT 3 PORT-WALL MOUNT



## FEATURES:

- 11 GAUGE 304 STAINLESS STEEL, ALL WELDED CONSTRUCTION
- 12 GALLON CAPACITY
- THREE (3) FLEX BOOTS (2, 3, 4")
- ONE (1) 3/4" NPT DRAIN CONNECTION
- 14 GAUGE 304 STAINLESS STEEL LOCKABLE, HINGED, GASKET-SEALED DOOR
- FOUR (4) 304 STAINLESS STEEL MOUNTING TABS
- MADE IN USA

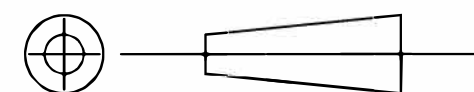
This document is proprietary and confidential. No part of this document may be disclosed in any manner to a third party without the prior written consent of Fairfield Industries

**DO NOT SCALE DRAWING**

UNLESS OTHERWISE SPECIFIED,  
DIMENSIONS ARE IN INCHES.

TOLERANCES ON ANGLES:  $\pm 1^\circ$   
 FRACTIONAL:  $\pm 1/64$   
 2-PLACE DECIMALS:  $\pm 0.05$   
 3-PLACE DECIMALS:  $\pm 0.005$

THIRD ANGLE PROJECTION



**FAIRFIELD INDUSTRIES, INC**

4483 CHOPPEE ROAD, GEORGETOWN SC 29440

PHONE: 843-461-3894

FAX: 843-461-3907

DESCRIPTION

**RFP-24-18W-3 PORT**

SIZE <b>C</b>	SCALE <b>NTS</b>	DWG. NO <b>D101220-4</b>	C.REV -	REV 1
DRAWN BY <b>D.NETTLES</b>		DATE <b>10/12/20</b>	SHT 1 OF 1	