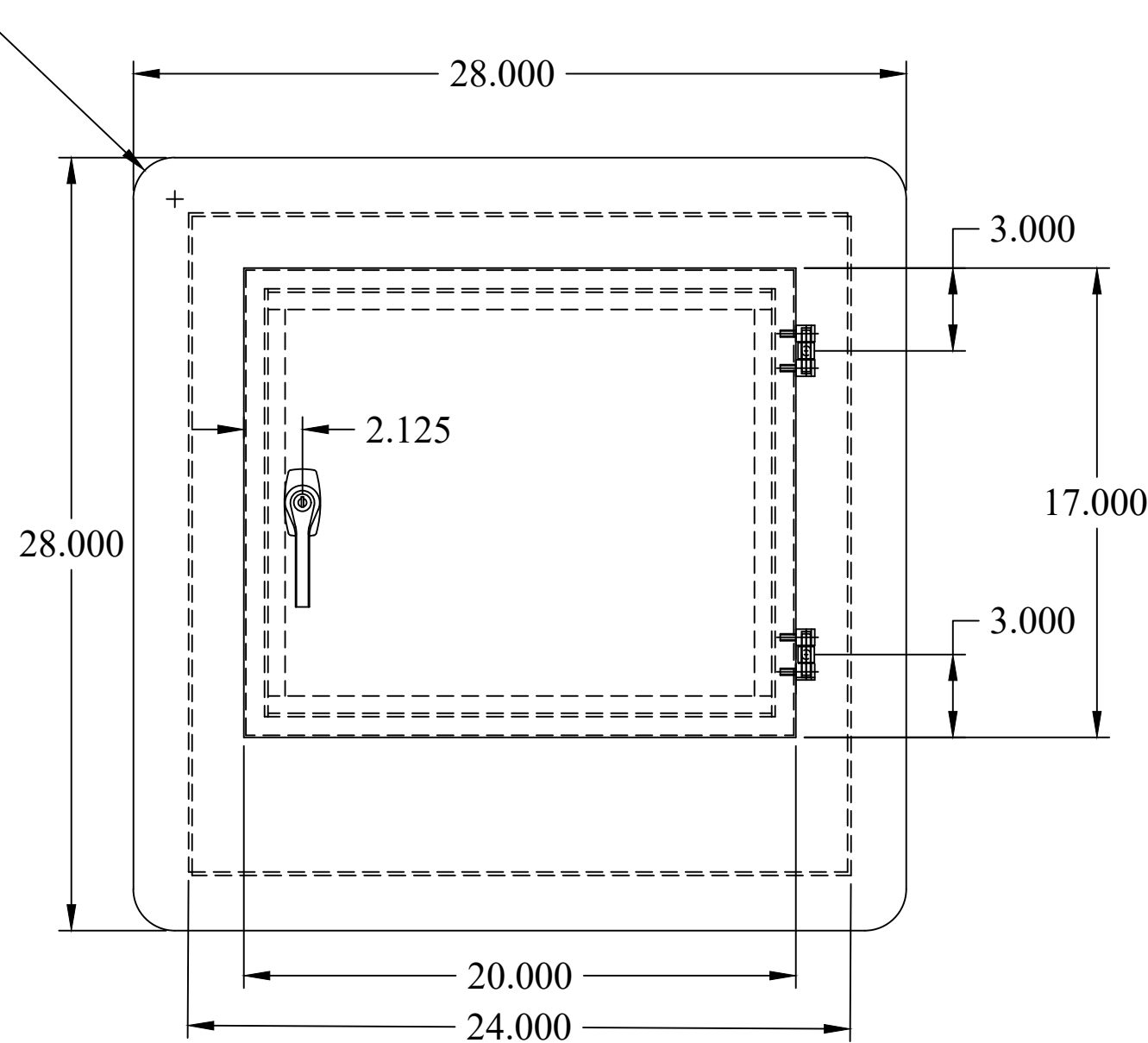
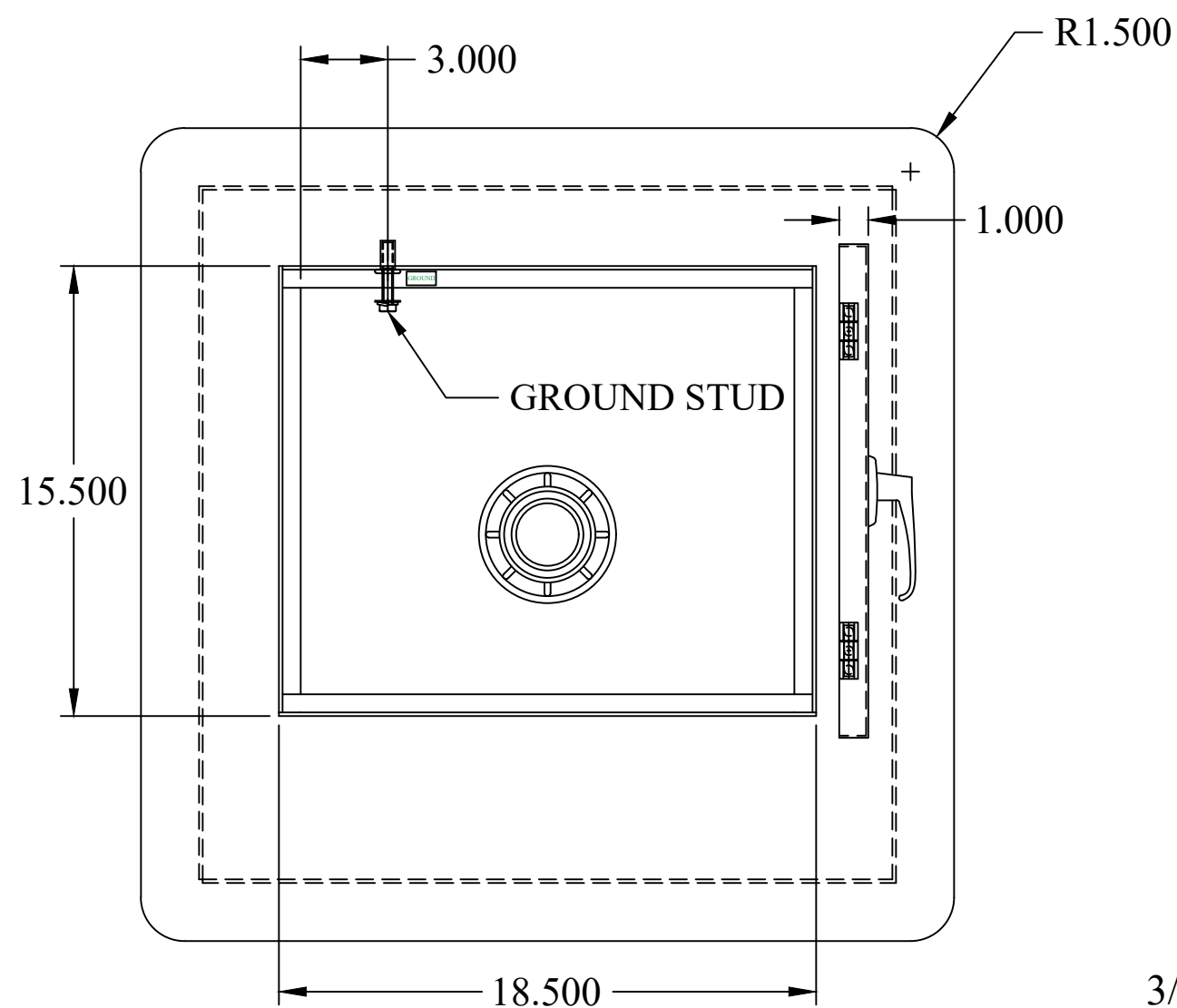


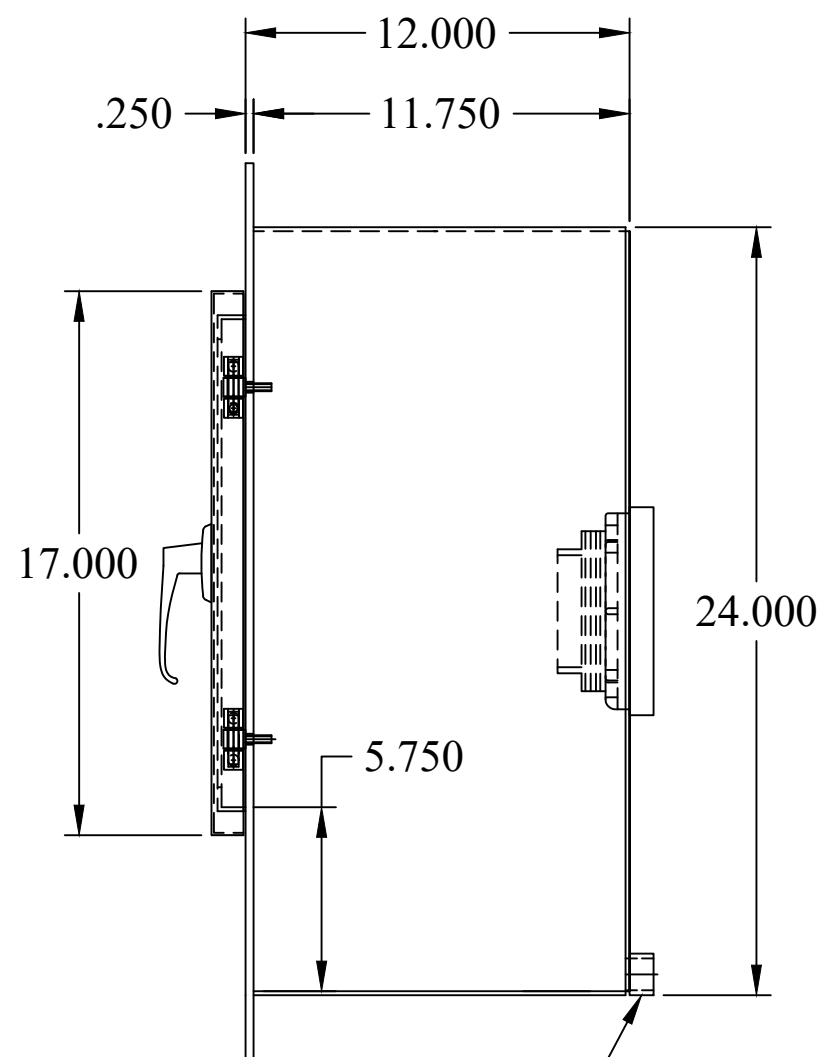
REAR VIEW



FRONT VIEW



FRONT VIEW  
(DOOR OPEN)



3/4" NPT DRAIN FITTING

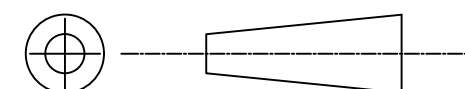
**FEATURES:**

- 11 GAUGE 304 STAINLESS STEEL, ALL WELDED CONSTRUCTION
- 14 GAUGE 304 STAINLESS STEEL LOCKABLE, HINGED, GASKET-SEALED DOOR
- 1/4" 304 STAINLESS STEEL, FLUSH MOUNTING FLANGE
- 7.0 GALLON CAPACITY
- ONE (1) FLEXIBLE ENTRY FITTING (2, 3, 4")
- ONE (1) 3/4" NPT DRAIN CONNECTION
- ONE (1) GROUND STUD
- MADE IN USA

This document is proprietary and confidential. No part of this document may be disclosed in any manner to a third party without the prior written consent of Fairfield Industries

**DO NOT SCALE DRAWING**  
UNLESS OTHERWISE SPECIFIED,  
DIMENSIONS ARE IN INCHES.  
  
TOLERANCES ON ANGLES:  $\pm 1^\circ$   
FRACTIONAL:  $\pm 1/64$   
2-PLACE DECIMALS:  $\pm 0.05$   
3-PLACE DECIMALS:  $\pm 0.005$

THIRD ANGLE PROJECTION



**FAIRFIELD INDUSTRIES, INC**

4483 CHOPPEE ROAD, GEORGETOWN SC 29440

PHONE: 843-461-3894 FAX: 843-461-3907

DESCRIPTION

**RFP-24F-1 PORT**

SIZE <b>C</b>	SCALE <b>NTS</b>	DWG. NO <b>D012318-1</b>	C.REV <b>1</b>	REV <b>1</b>
DRAWN BY <b>D NETTLES</b>		DATE <b>07/29/20</b>	SHT <b>1 OF 1</b>	