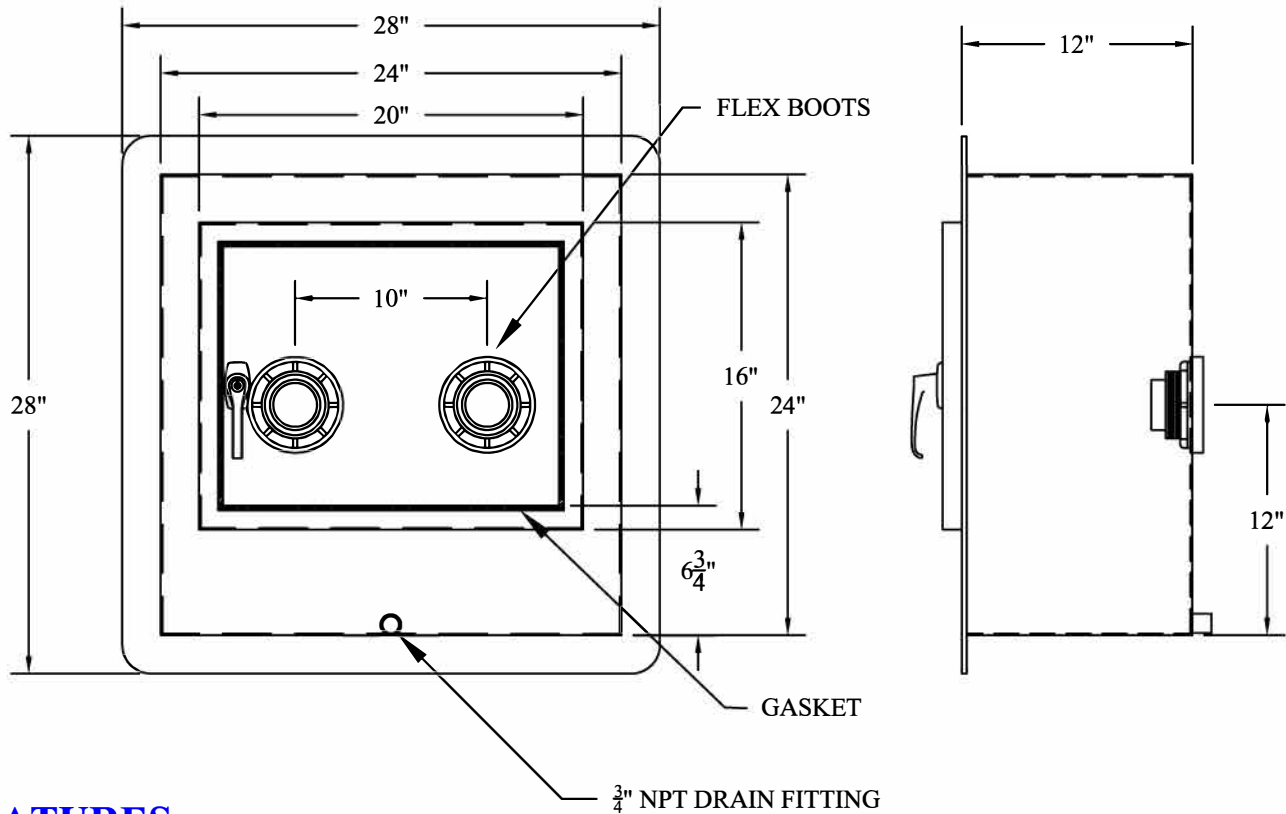


RFP-24F-2 PORT

REMOTE FILL PORT 24" X 24" X 12" DEEP



FEATURES:

- 11 GAUGE 304 STAINLESS STEEL, ALL WELDED CONSTRUCTION
- 7 GALLON CAPACITY
- INCLUDES TWO (2) 2" FLEX BOOTS (2, 3, 4")
- $\frac{3}{4}$ " NPT DRAIN CONNECTION
- 14 GAUGE 304 STAINLESS STEEL LOCKABLE, HINGED, GASKET-SEALED DOOR
- 28" X 28" X $\frac{1}{4}$ " 304 STAINLESS STEEL FLUSH MOUNTING PLATE
- MADE IN USA

OPTIONS:

- ADDITIONAL FLEX BOOTS OR COUPLINGS
- $\frac{3}{4}$ " OR 1" CONDUIT COUPLINGS
- ALARM MOUNTING PANEL
- LOCK HASP

DWG# RFP24F-2-2

DATE: 9/30/14

REMOTE FILL PORT
24" X 24" X 12" DEEP

FAIRFIELD INDUSTRIES, INC.

4483 CHOPPEE RD, GEORGETOWN, SC 29440

PHONE: 843-461-3894 FAX: 843-461-3907

www.fairfield-industries.com

Copyright© Fairfield Industries, Inc. All rights reserved.