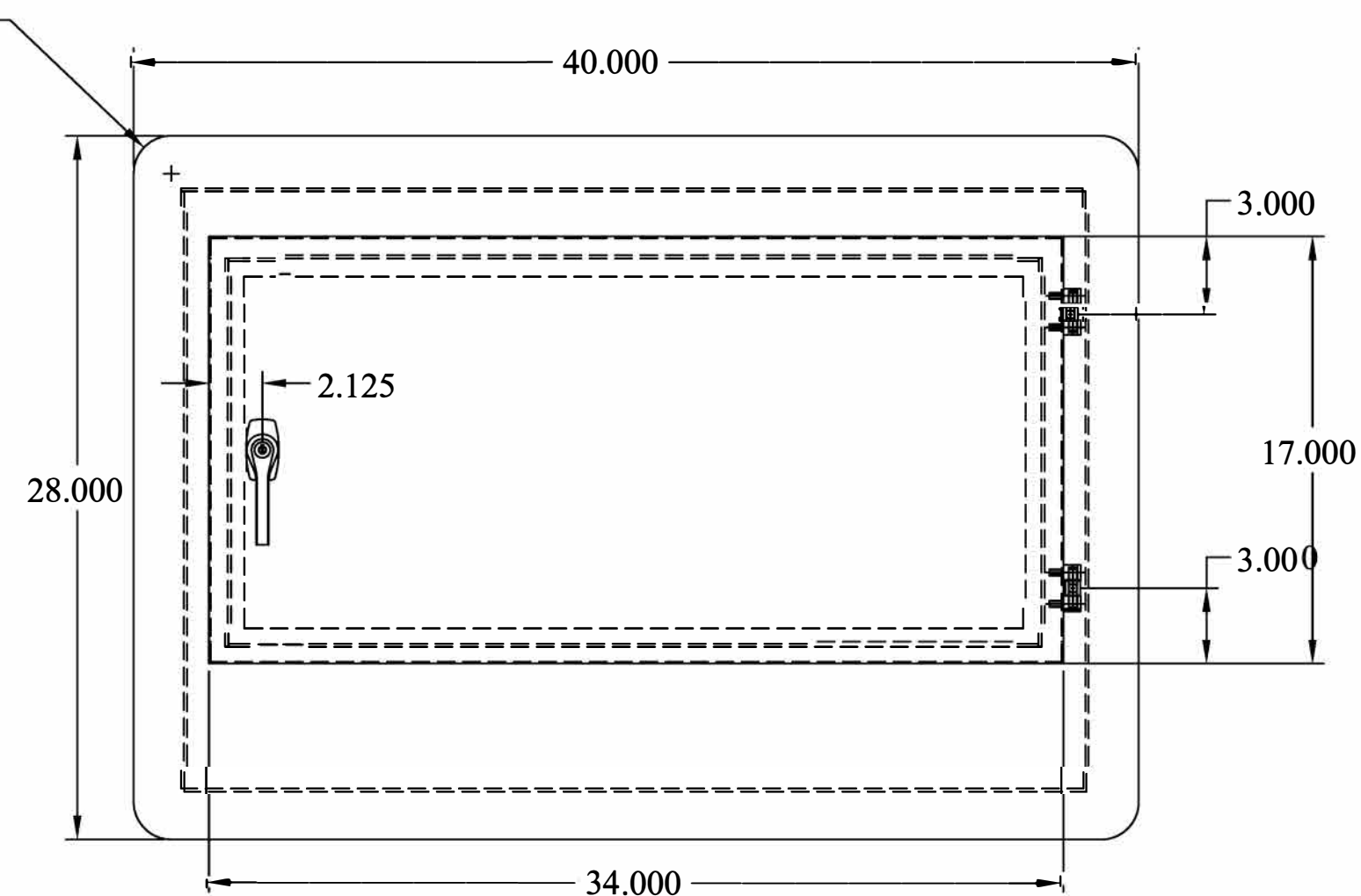
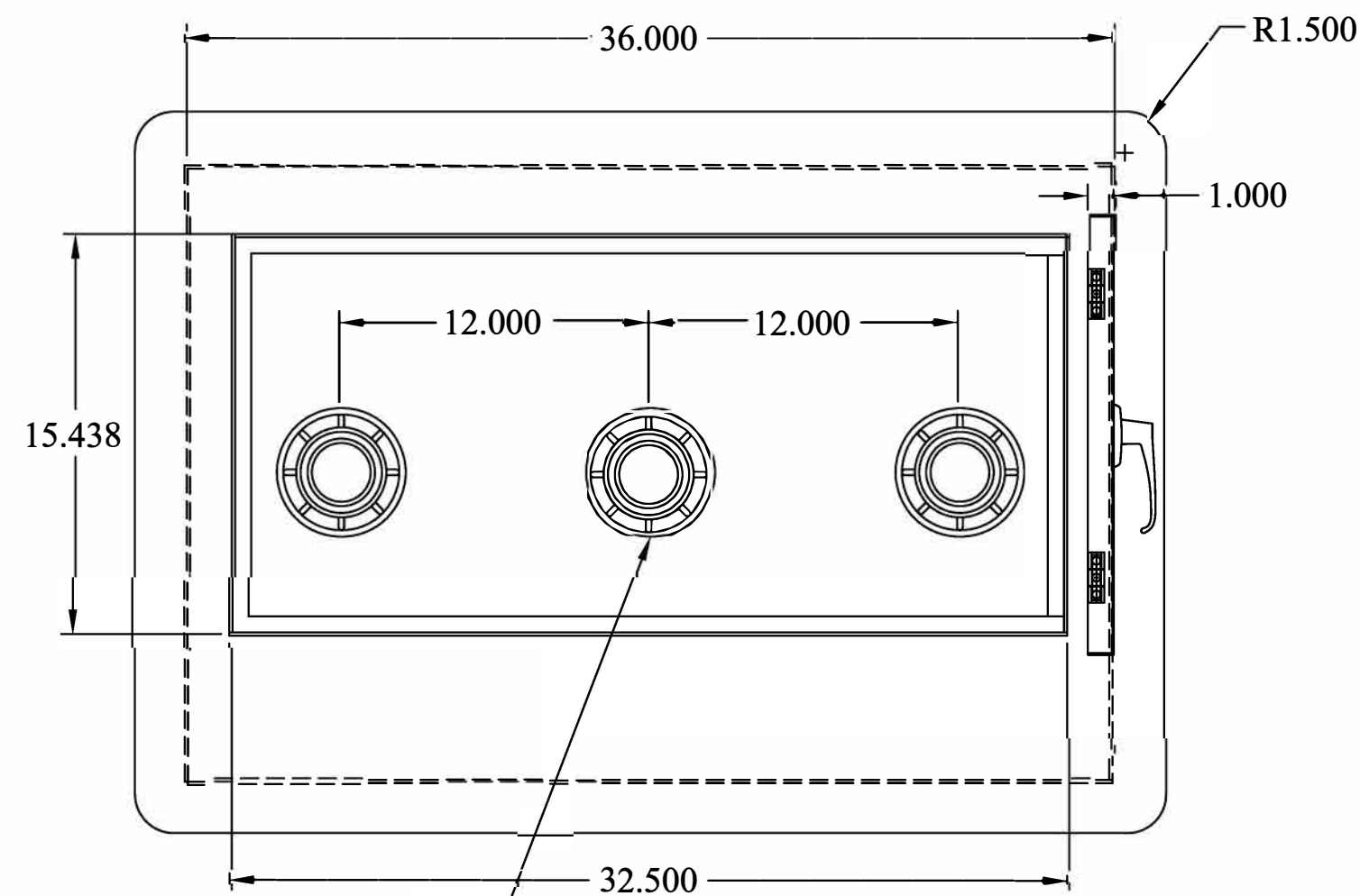


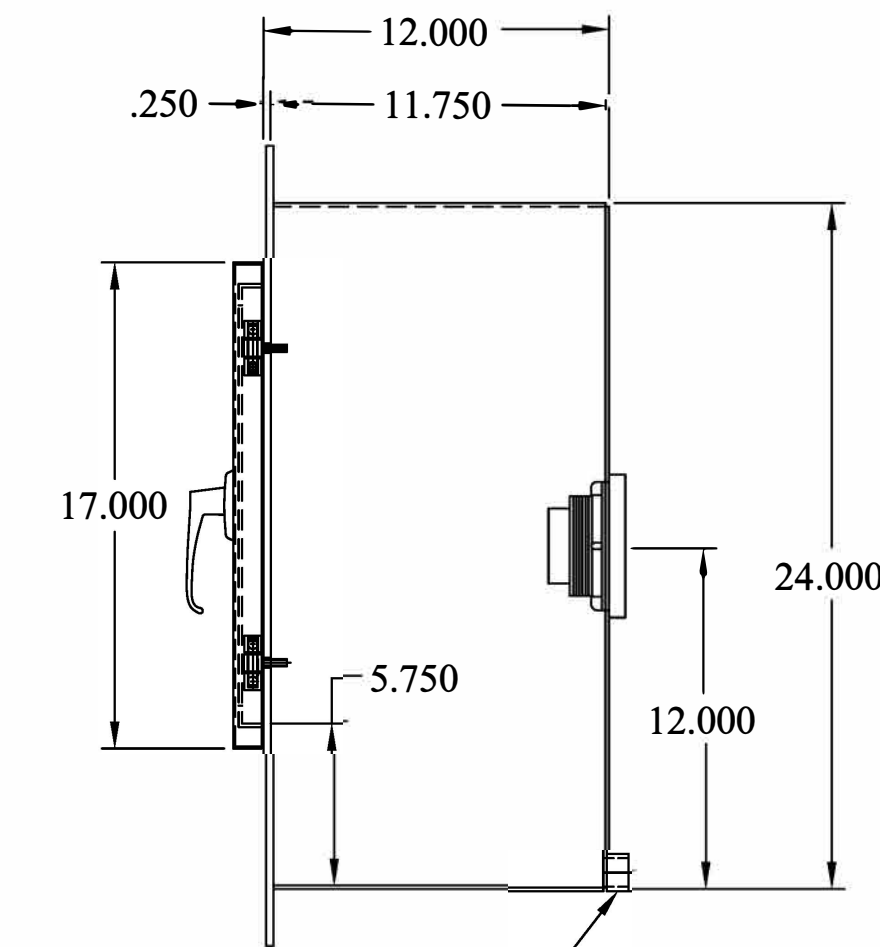
REAR VIEW



FRONT VIEW



FRONT VIEW
(DOOR OPEN)



LEFT VIEW

FEATURES:

- 11 GAUGE 304 STAINLESS STEEL, ALL WELDED CONSTRUCTION
- 14 GAUGE 304 STAINLESS STEEL LOCKABLE, HINGED, GASKET-SEALED DOOR
- 1/4" 304 STAINLESS STEEL, FLUSH MOUNTING FLANGE
- 10.0 GALLON CAPACITY
- THREE (3) FLEXIBLE ENTRY FITTINGS (2, 3, 4")
- ONE (1) 3/4" NPT DRAIN CONNECTION
- ONE (1) GROUND STUD
- MADE IN USA

DO NOT SCALE DRAWING
UNLESS OTHERWISE SPECIED
DIMENSIONS ARE IN INCHES.
TOLERANCES ON ANGLES: ± 1°
FRACTIONAL: ± 1/16
2-PLACE DECIMALS: ± 0.062
3-PLACE DECIMAL: ± 0.032

FAIRFIELD INDUSTRIES, INC
4483 CHOPPEE ROAD, GEORGETOWN SC 29440
PHONE: 843-461-3894 FAX: 843-461-3907

| | | | |
|-------------|-------|-----------------------|--------|
| DESCRIPTION | | RFP-24F-3 PORT | |
| SIZE | SCALE | DWG.NO. | REV. |
| C | NTS | D040720-1 | 1 |
| DRAWN BY | | DATE | SHT. |
| D NETTLES | | 04/07/20 | 1 OF 1 |

This document is proprietary and confidential. No part of this document may be disclosed in any manner to a third party without the prior written consent of Fairfield Industries

