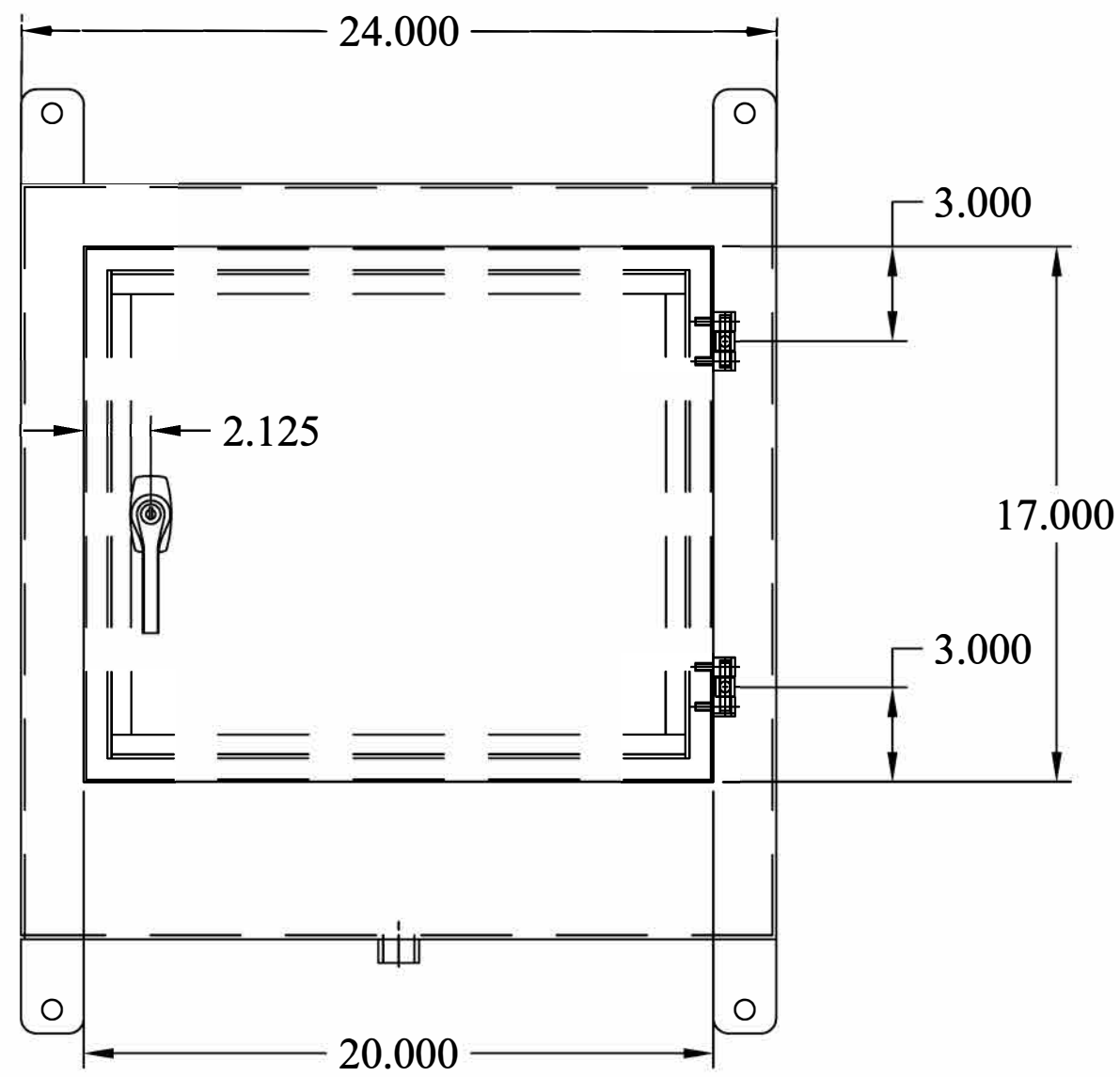
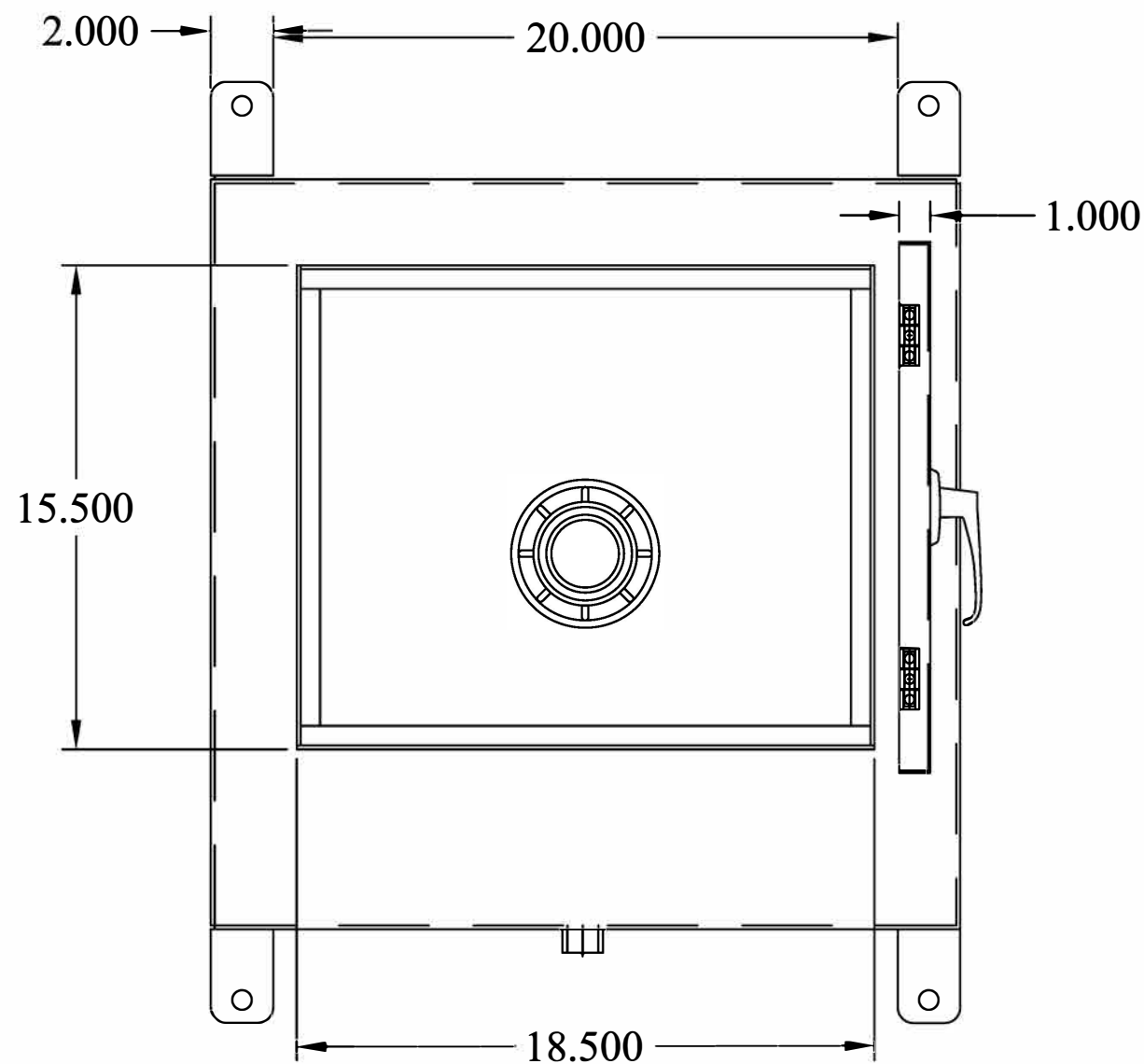


REAR VIEW

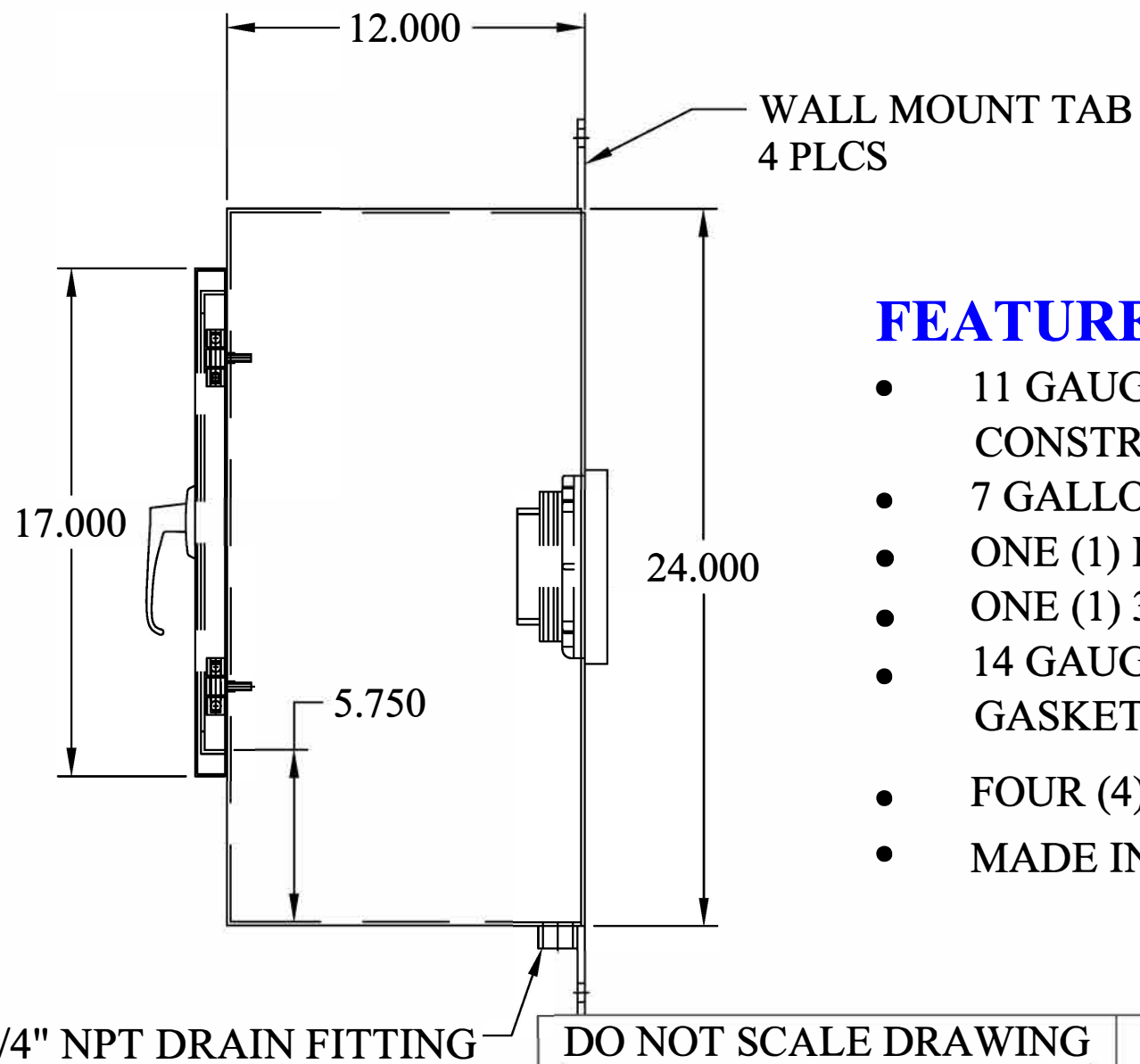
3/4" NPT DRAIN FITTING



FRONT VIEW



FRONT VIEW
(DOOR OPEN)



3/4" NPT DRAIN FITTING

WALL MOUNT TAB
4 PLCS

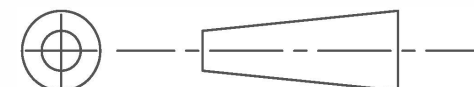
FEATURES:

- 11 GAUGE 304 STAINLESS STEEL, ALL WELDED CONSTRUCTION
- 7 GALLON CAPACITY
- ONE (1) FLEXIBLE ENTRY BOOTS (2, 3, 4")
- ONE (1) 3/4" NPT DRAIN CONNECTION
- 14 GAUGE 304 STAINLESS STEEL LOCKABLE, HINGED, GASKET-SEALED DOOR
- FOUR (4) 3" X 2" X 1/4" 304 STAINLESS STEEL MOUNTING TABS
- MADE IN USA

This document is proprietary and confidential. No part of this document may be disclosed in any manner to a third party without the prior written consent of Fairfield Industries

DO NOT SCALE DRAWING
UNLESS OTHERWISE SPECIED
DIMENSIONS ARE IN INCHES.
TOLERANCES ON ANGLES: ± 1°
FRACTIONAL: ± 1/16
2-PLACE DECIMALS: ± 0.062
3-PLACE DECIMAL: ± 0.032

THIRD ANGLE PROJECTION



FAIRFIELD INDUSTRIES, INC
4483 CHOPPEE ROAD, GEORGETOWN SC 29440
PHONE: 843-461-3894 FAX: 843-461-3907

DESCRIPTION				REV.
RFP-24W-1 PORT				1
SIZE	SCALE	DWG.NO.		
C	NTS	D020921-1		
DRAWN BY		DATE	SHT.	
D NETTLES		02/09/21	1 OF 1	