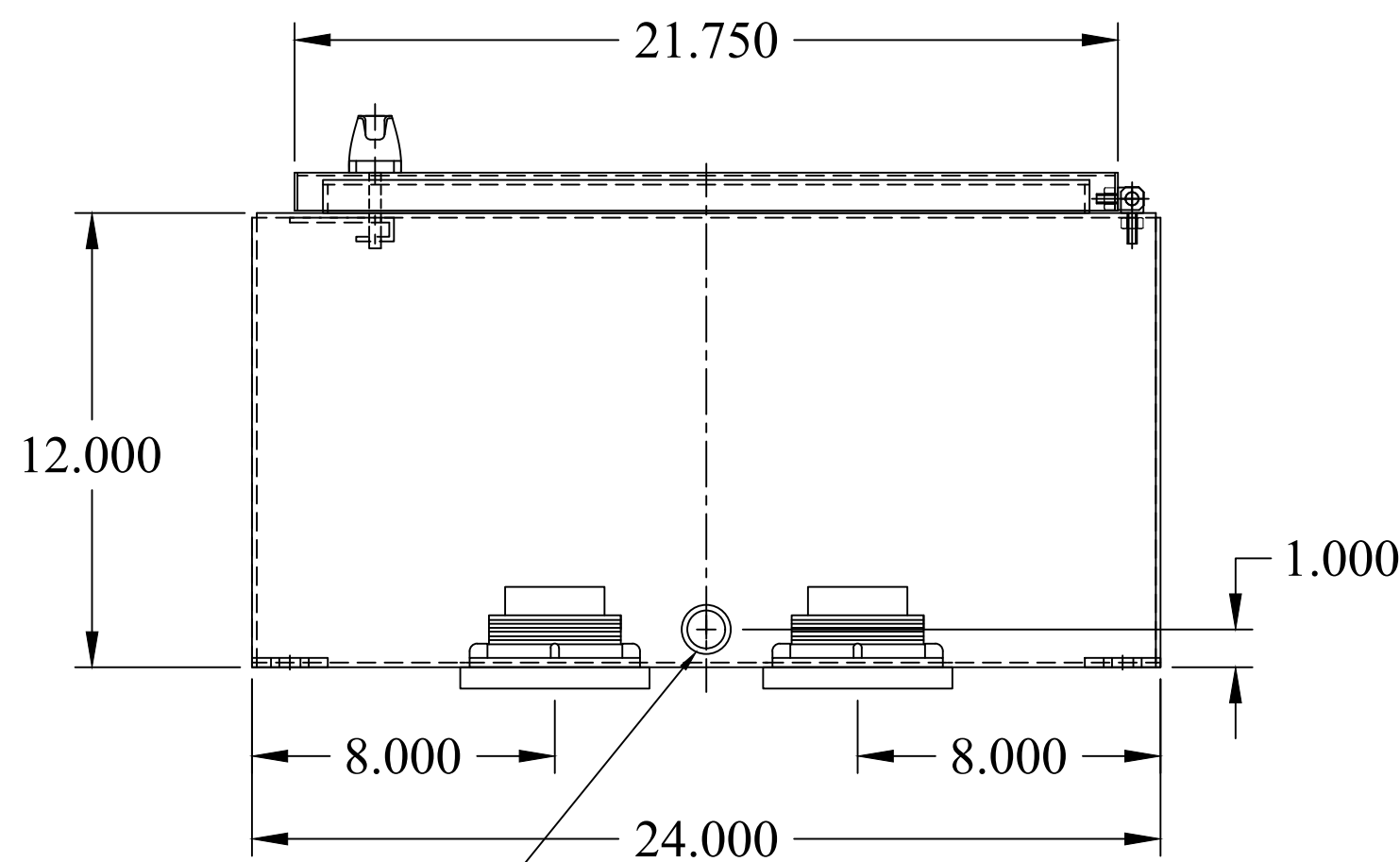
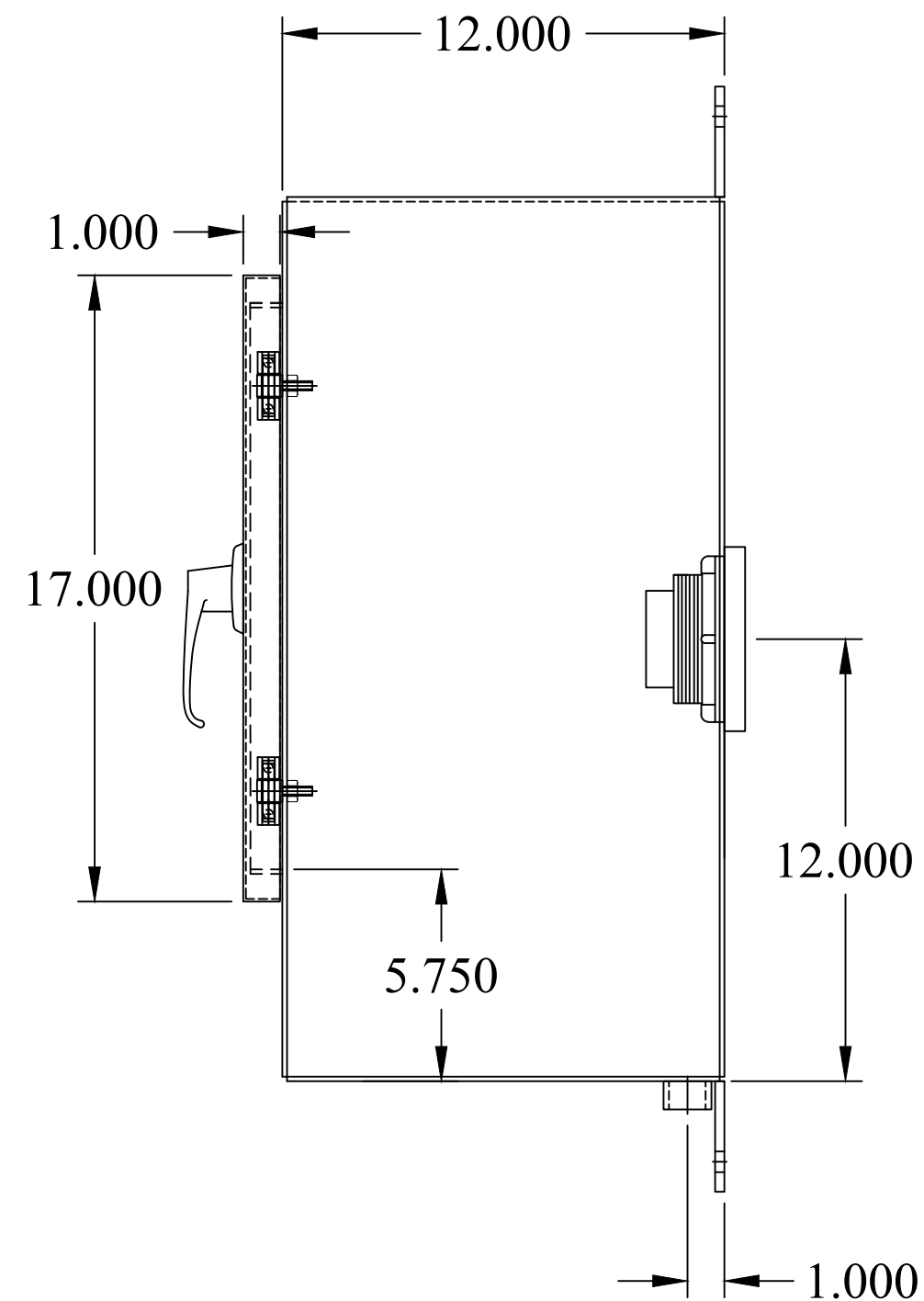


3/4" NPT DRAIN FITTING

FLEXIBLE ENTRY FITTING (2PLCS)



3/4" NPT DRAIN FITTING

**FEATURES:**

- 11GA. 304 STAINLESS STEEL BODY, ALL WELDED CONSTRUCTION
- 14GA. 304 STAINLESS STEEL LOCKABLE, HINGED, GASKET-SEALED ACCESS DOOR
- 7 GALLION LEAK CAPACITY
- TWO (2) FLEXIBLE ENTRY FITTINGS (2, 3, 4")
- ONE (1) 3/4" NPT DRAIN CONNECTION
- FOUR (4) 304 STAINLESS STEEL MOUNTING TABS
- MADE IN USA

This document is proprietary and confidential. No part of this document may be disclosed in any manner to a third party without the prior written consent of Fairfield Industries

**DO NOT SCALE DRAWING**  
UNLESS OTHERWISE SPECIFIED, DIMENSIONS ARE IN INCHES.

TOLERANCES ON ANGLES: ± 1°  
FRACTIONAL: ± 1/64  
2-PLACE DECIMALS: ± 0.05  
3-PLACE DECIMALS: ± 0.005

THIRD ANGLE PROJECTION

**FAIRFIELD INDUSTRIES, INC**  
4483 CHOPPEE ROAD, GEORGETOWN SC 29440  
PHONE: 843-461-3894 FAX: 843-461-3907

DESCRIPTION  
**RFP-24W-2 PORT**

SIZE <b>C</b>	SCALE <b>NTS</b>	DWG. NO <b>D010820-1</b>	C.REV <b>-</b>	REV <b>1</b>
DRAWN BY <b>D. NETTLES</b>		DATE <b>01/08/20</b>	SHT <b>1 OF 1</b>	