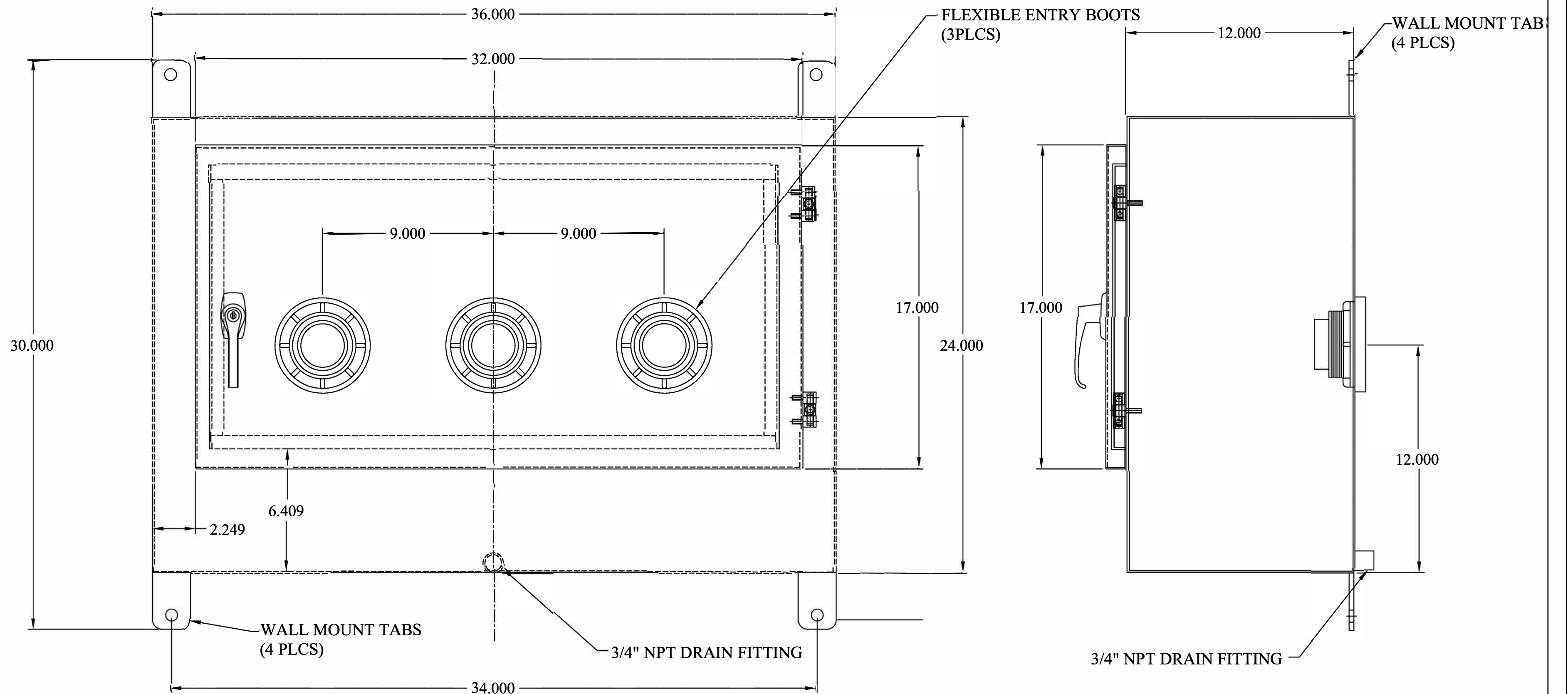


REMOTE FILL PORT

RFP-24W-3 PORT



FEATURES:

- 11 GAUGE 304 STAINLESS STEEL, ALL WELDED CONSTRUCTION
- 12 GALLON CAPACITY
- THREE (3) FLEX BOOTS (2, 3, 4")
- ONE (1) 3/4" NPT DRAIN CONNECTION
- 14 GAUGE 304 STAINLESS STEEL LOCKABLE, HINGED, GASKET-SEALED DOOR
- FOUR (4) 3" X 2" X 1/4" 304 STAINLESS STEEL MOUNTING TABS
- MADE IN USA

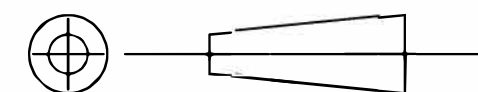
This document is proprietary and confidential. No part of this document may be disclosed in any manner to a third party without the prior written consent of Fairfield Industries

DO NOT SCALE DRAWING

UNLESS OTHERWISE SPECIFIED,
DIMENSIONS ARE IN INCHES.

TOLERANCES ON ANGLES: $\pm 1^\circ$
FRACTIONAL: $\pm 1/64$
2-PLACE DECIMALS: ± 0.05
3-PLACE DECIMALS: ± 0.005

THIRD ANGLE PROJECTION



FAIRFIELD INDUSTRIES, INC

4483 CHOPPEE ROAD, GEORGETOWN SC 29440

PHONE: 843-461-3894 FAX: 843-461-3907

DESCRIPTION

RFP-24W-3 PORT

SIZE C	SCALE NTS	DWG. NO D061418-4	C.REV -	REV 1
DRAWN BY D. NETTLES		DATE 06/14/18	SHT 1 OF 1	