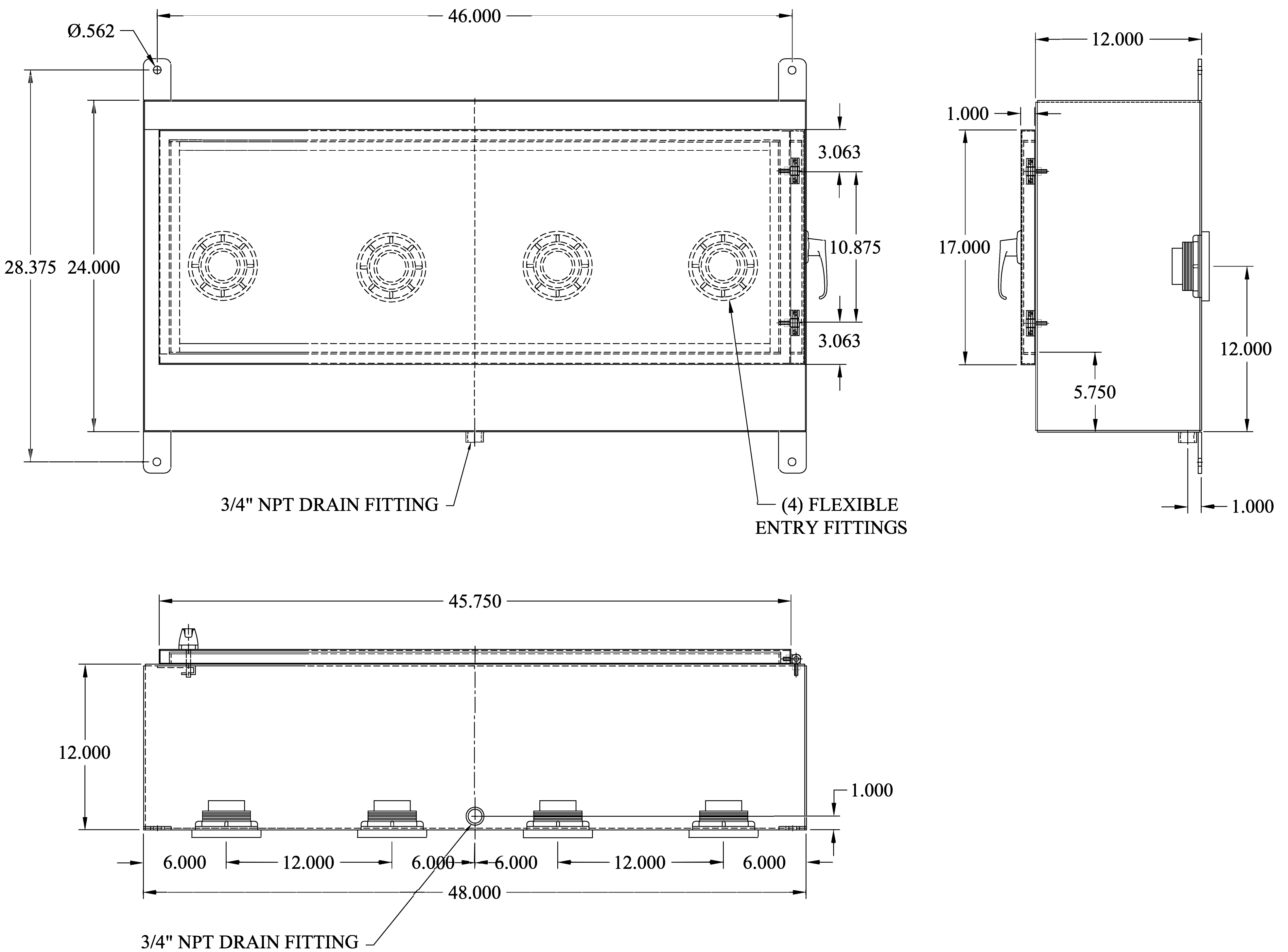


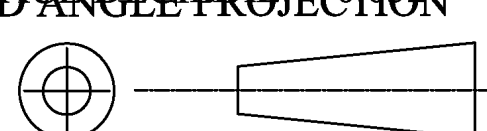
FEATURES:

- 11GA. 304 STAINLESS STEEL BODY, ALL WELDED CONSTRUCTION
- 14GA. 304 STAINLESS STEEL GASKET-SEALED ACCESS DOOR
- 15 GALLION LEAK CAPACITY
- ONE (1) STAINLESS STEEL LOCK HANDLE
- FOUR (4) FLEXIBLE ENTRY FITTINGS (2, 3, 4")
- ONE (1) 3/4" NPT DRAIN CONNECTION
- FOUR (4) 304 STAINLESS STEEL MOUNTING TABS
- MADE IN USA



This document is proprietary and confidential. No part of this document may be disclosed in any manner to a third party without the prior written consent of Fairfield Industries

**DO NOT SCALE
DRAWING**
UNLESS OTHERWISE SPECIED
DIMENSIONS ARE IN INCHES.
TOLERANCES ON ANGLES: $\pm 1^\circ$
FRACTIONAL: $\pm 1/16$
2-PLACE DECIMALS: ± 0.062
THIRD ANGLE PROJECTION



FAIRFIELD INDUSTRIES, INC			
4483 CHOPPEE ROAD, GEORGETOWN SC 29440			
PHONE: 843-461-3894		FAX: 843-461-3907	
DESCRIPTION			
RFP-24W-4 PORT			
SIZE	SCALE	DWG.NO.	REV.
D	NTS	D010219-1	1
DRAWN BY D. NETTLES		DATE 01/02/18	SHT. 1 OF 1