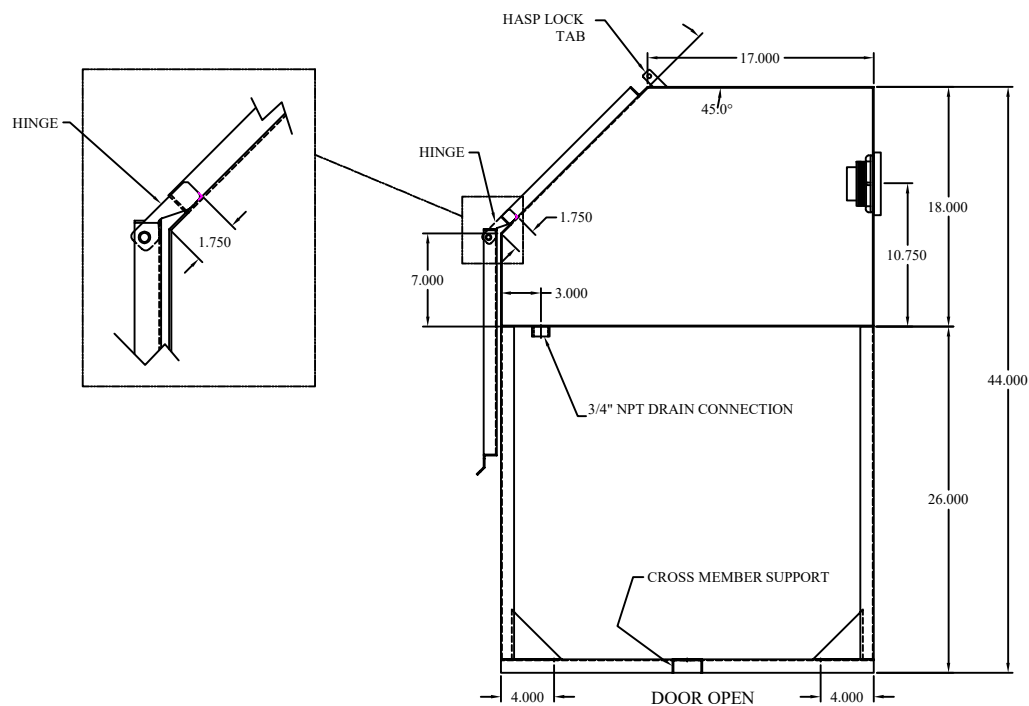
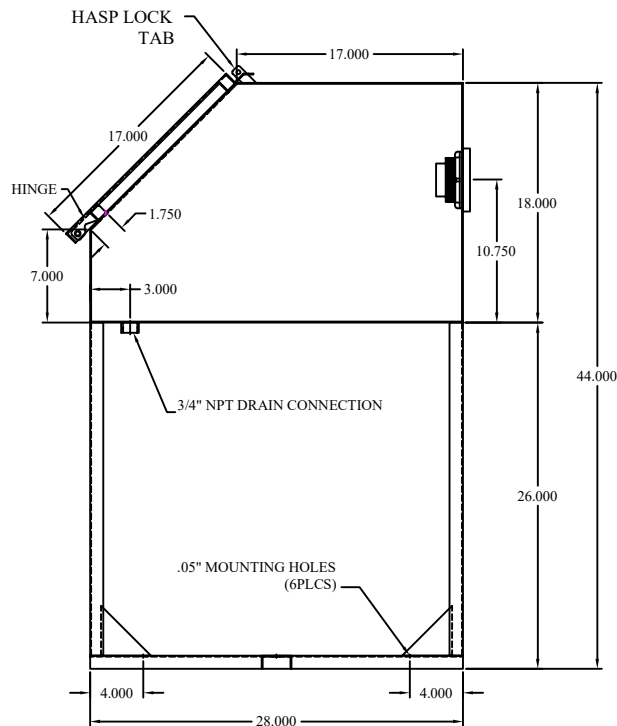


DOOR OPEN



DOOR OPEN



DOOR CLOSED

### FEATURES:

- 14 GA CARBON STEEL, ALL WELDED CONSTRUCTION
- 20 GALLON SPILL CONTAINMENT
- HINGED PAD LOCKABLE DOOR
- ONE (1) FLEXIBLE ENTRY FITTING (2,3,4")
- $\frac{3}{4}$ " NPT DRAIN CONNECTION CONNECTION
- POWDER COATED
- MADE IN USA

This document is proprietary and confidential. No part of this document may be disclosed in any manner to a third party without the prior written consent of Fairfield Industries

**DO NOT SCALE DRAWING**

UNLESS OTHERWISE SPECIFIED,  
DIMENSIONS ARE IN INCHES.

TOLERANCES ON ANGLES:  $\pm 1^\circ$   
 FRACTIONAL:  $\pm 1/64$   
 2-PLACE DECIMALS:  $\pm 0.05$   
 3-PLACE DECIMALS:  $\pm 0.005$

THIRD ANGLE PROJECTION



**FAIRFIELD INDUSTRIES, INC**

4483 CHOPPEE ROAD, GEORGETOWN SC 29440

PHONE: 843-461-3894 FAX: 843-461-3907

DESCRIPTION

**RFPC-1 PORT**

SIZE <b>C</b>	SCALE <b>NTS</b>	DWG. NO <b>S122216-2</b>	C.REV <b>-</b>	REV <b>2</b>
DRAWN BY <b>S BESHORE</b>		DATE <b>03/23/17</b>	SHT <b>1 OF 1</b>	