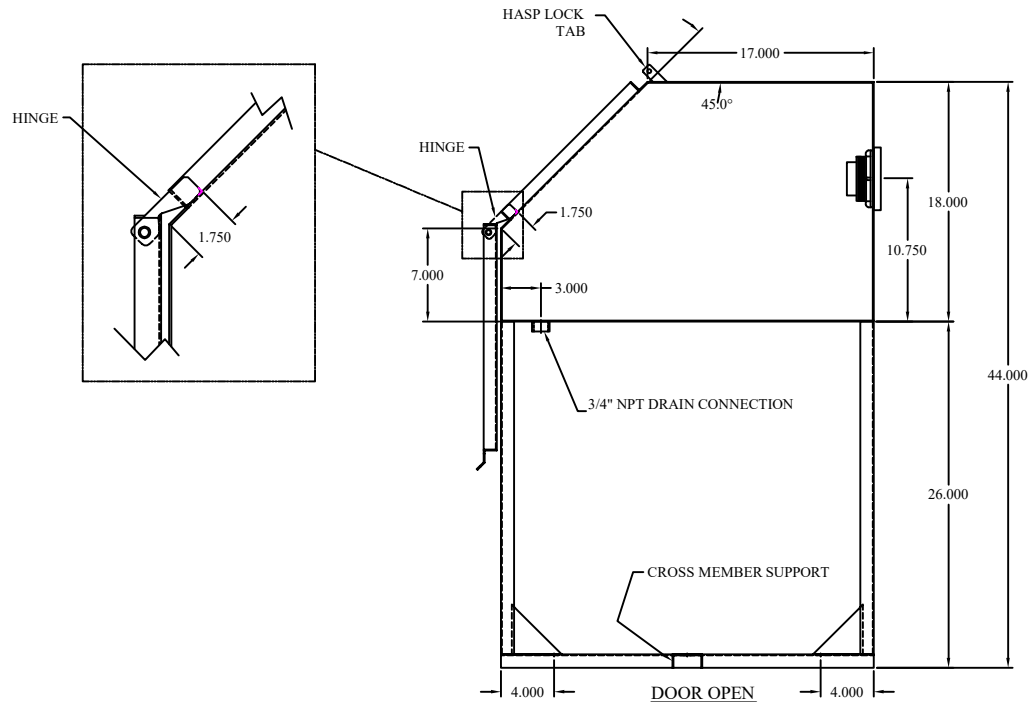
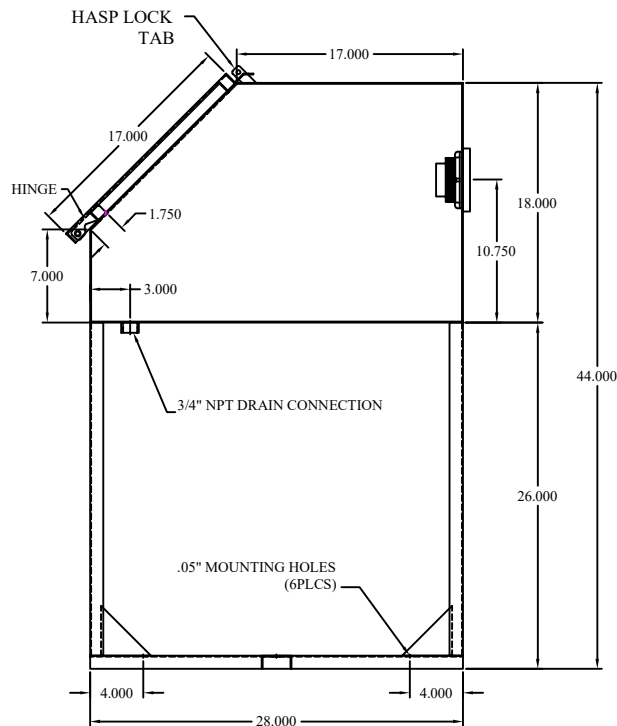


DOOR OPEN



DOOR OPEN



DOOR CLOSED

FEATURES:

- 14 GA 304 STAINLESS STEEL, ALL WELDED CONSTRUCTION
- 20 GALLON SPILL CONTAINMENT
- HINGED PAD LOCKABLE DOOR
- ONE (1) FLEXIBLE ENTRY FITTING (2,3,4")
- 3/4" NPT DRAIN CONNECTION CONNECTION
- MADE IN USA

This document is proprietary and confidential. No part of this document may be disclosed in any manner to a third party without the prior written consent of Fairfield Industries

DO NOT SCALE DRAWING

UNLESS OTHERWISE SPECIFIED, DIMENSIONS ARE IN INCHES.

TOLERANCES ON ANGLES: ± 1°
 FRACTIONAL: ± 1/64
 2-PLACE DECIMALS: ± 0.05
 3-PLACE DECIMALS: ± 0.005

THIRD ANGLE PROJECTION



FAIRFIELD INDUSTRIES, INC

4483 CHOPPEE ROAD, GEORGETOWN SC 29440

PHONE: 843-461-3894 FAX: 843-461-3907

DESCRIPTION

RFP-1 PORT

SIZE

C

SCALE

NTS

DWG. NO

S122216-2

C.REV

REV

DRAWN BY

S BESHORE

DATE

03/23/17

SHT

1 OF 1