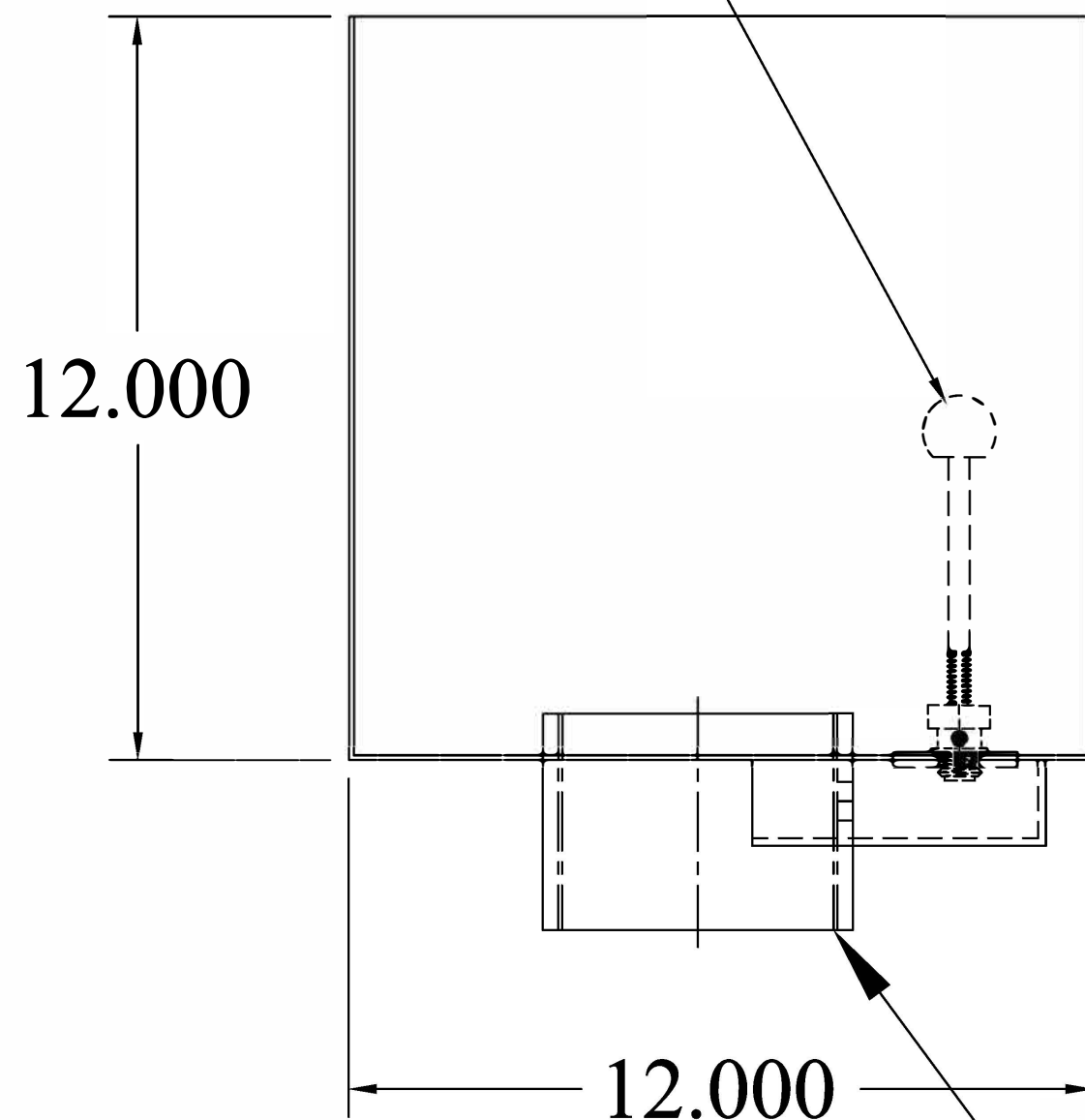


FEATURES:

- 14GA. 304 STAINLESS STEEL OPEN TOP 5 GALLON SPILL CONTAINER
- NPT COUPLING (2, 3, OR 4")
- MANUAL PUSH DRAIN
- MADE IN USA

MANUAL DRAIN VALVE (PUSH)

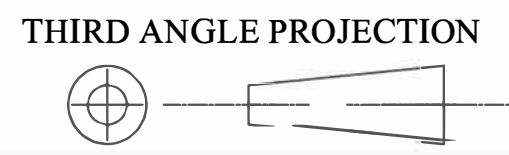


NPT COUPLING

DO NOT SCALE DRAWING
 UNLESS OTHERWISE SPECIED
 DIMENSIONS ARE IN INCHES.
 TOLERANCES ON ANGLES: ± 1°
 FRACTIONAL: ± 1/16
 2-PLACE DECIMALS: ± 0.062
 3-PLACE DECIMAL: ± 0.032

FAIRFIELD INDUSTRIES, INC
 4483 CHOPPEE ROAD, GEORGETOWN SC 29440
 PHONE: 843-461-3894 FAX: 843-461-3907

DESCRIPTION				REV.
SC-5-S				1
SIZE	SCALE	DWG.NO.		
C	NTS	D100319-2		
DRAWN BY		DATE	SHT.	
D NETTLES		06/30/19	1 OF 1	



This document is proprietary and confidential. No part of this document may be disclosed in any manner to a third party without the prior written consent of Fairfield Industries