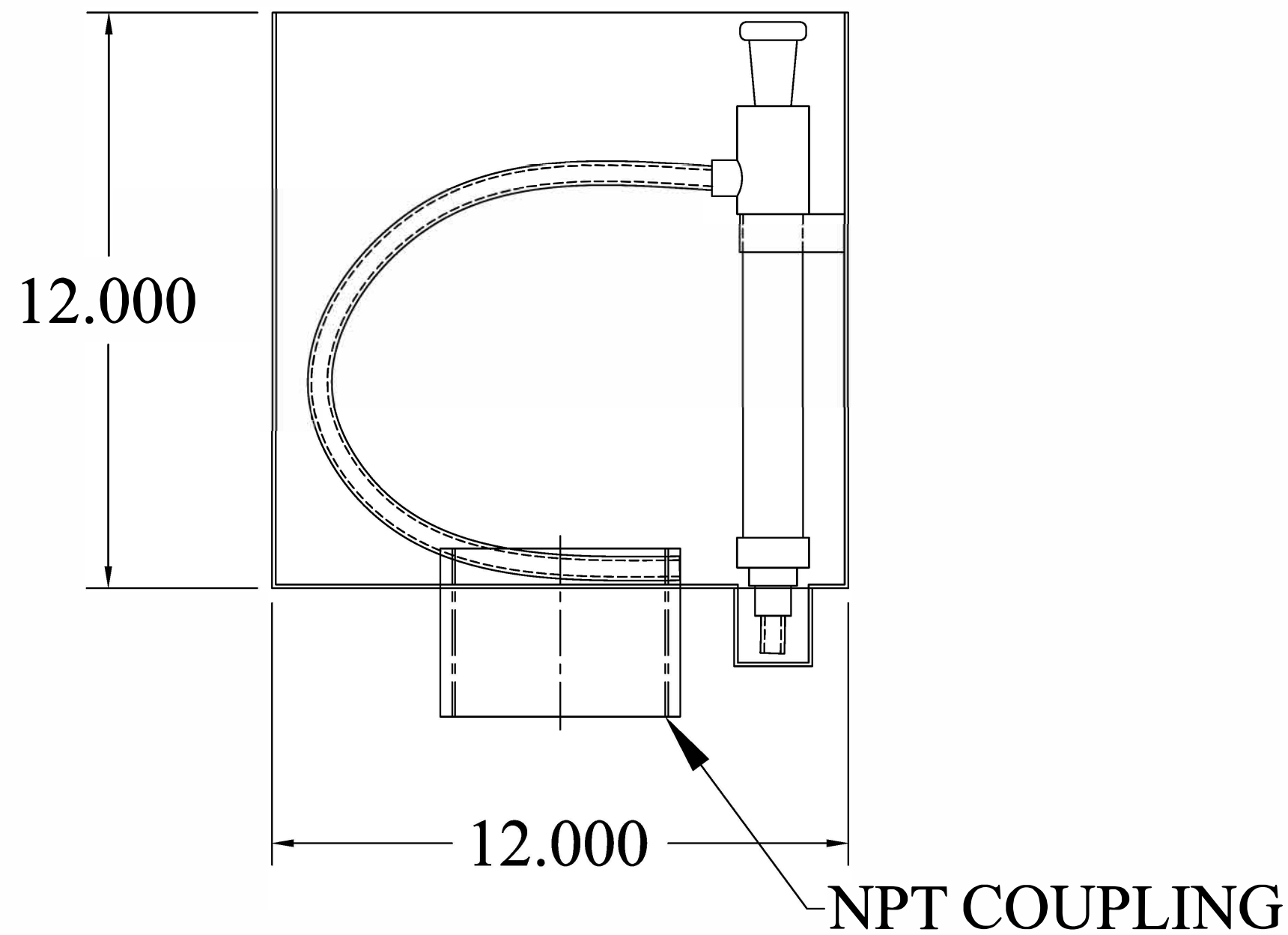


**FEATURES:**

- 14GA. 304 STAINLESS STEEL 5 GALLON SPILL CONTAINER
- NPT COUPLING (2, 3, OR 4")
- HAND-OPERATED SINGLE-STROKE PUMP AND HOSE ASSEMBLY
- 304 STAINLESS STEEL SUMP
- MADE IN USA

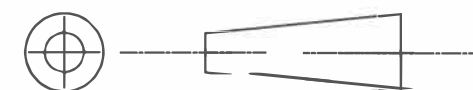


**DO NOT SCALE DRAWING**  
 UNLESS OTHERWISE SPECIED  
 DIMENSIONS ARE IN INCHES.  
 TOLERANCES ON ANGLES: ± 1°  
 FRACTIONAL: ± 1/16  
 2-PLACE DECIMALS: ± 0.062  
 3-PLACE DECIMAL: ± 0.032

**FAIRFIELD INDUSTRIES, INC**  
 4483 CHOPPEE ROAD, GEORGETOWN SC 29440  
 PHONE: 843-461-3894 FAX: 843-461-3907

DESCRIPTION				REV.
SC-5P-S				1
SIZE	SCALE	DWG.NO.		
C	NTS	D100319-1		
DRAWN BY		DATE	SHT.	
D NETTLES		10/03/19	1 OF 1	

THIRD ANGLE PROJECTION



This document is proprietary and confidential. No part of this document may be disclosed in any manner to a third party without the prior written consent of Fairfield Industries