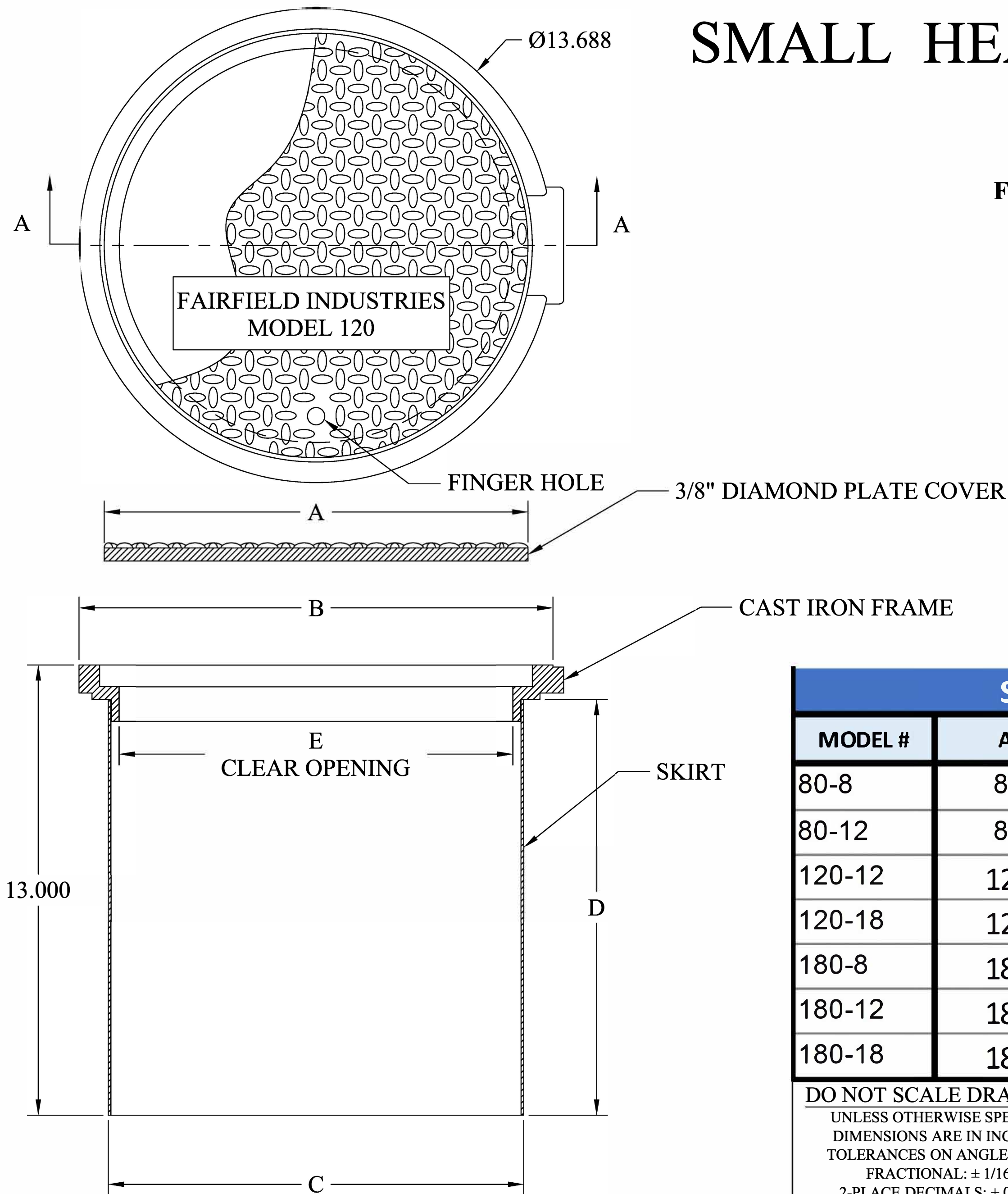


# SMALL HEAVY DUTY MANHOLE



## FEATURES:

- CAST IRON FRAME
- 3/8" DIAMOND PLATE STEEL COVER
- 14 GAUGE STEEL SKIRT
- FINGER HOLE FOR REMOVAL OF COVER
- H-20 LOAD RATING

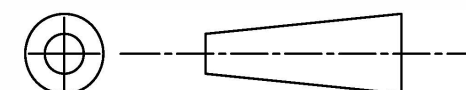
SMALL HEAVY DUTY MANHOLES					
MODEL #	A	B	C	D	E
80-8	8"	9"	8"	8"	7"
80-12	8"	9"	8"	12"	7"
120-12	12"	13"	12"	12"	11"
120-18	12"	13"	12"	8"	11"
180-8	18"	19"	18"	8"	17"
180-12	18"	19"	18"	12"	17"
180-18	18"	19"	18"	18"	17"

**DO NOT SCALE DRAWING**  
UNLESS OTHERWISE SPECIED  
DIMENSIONS ARE IN INCHES.  
TOLERANCES ON ANGLES: ± 1°  
FRACTIONAL: ± 1/16  
2-PLACE DECIMALS: ± 0.062  
3-PLACE DECIMAL: ± 0.032

**FAIRFIELD INDUSTRIES, INC**  
4483 CHOPPEE ROAD, GEORGETOWN SC 29440  
PHONE: 843-461-3894 FAX: 843-461-3907

DESCRIPTION **SMALL HEAVY DUTY MANHOLES**

THIRD ANGLE PROJECTION



SIZE C	SCALE NTS	DWG.NO. D020818-1	REV. 1
DRAWN BY D NETTLES		DATE 02/08/18	SHT. 1 OF 1

This document is proprietary and confidential. No part of this document may be disclosed in any manner to a third party without the prior written consent of Fairfield Industries