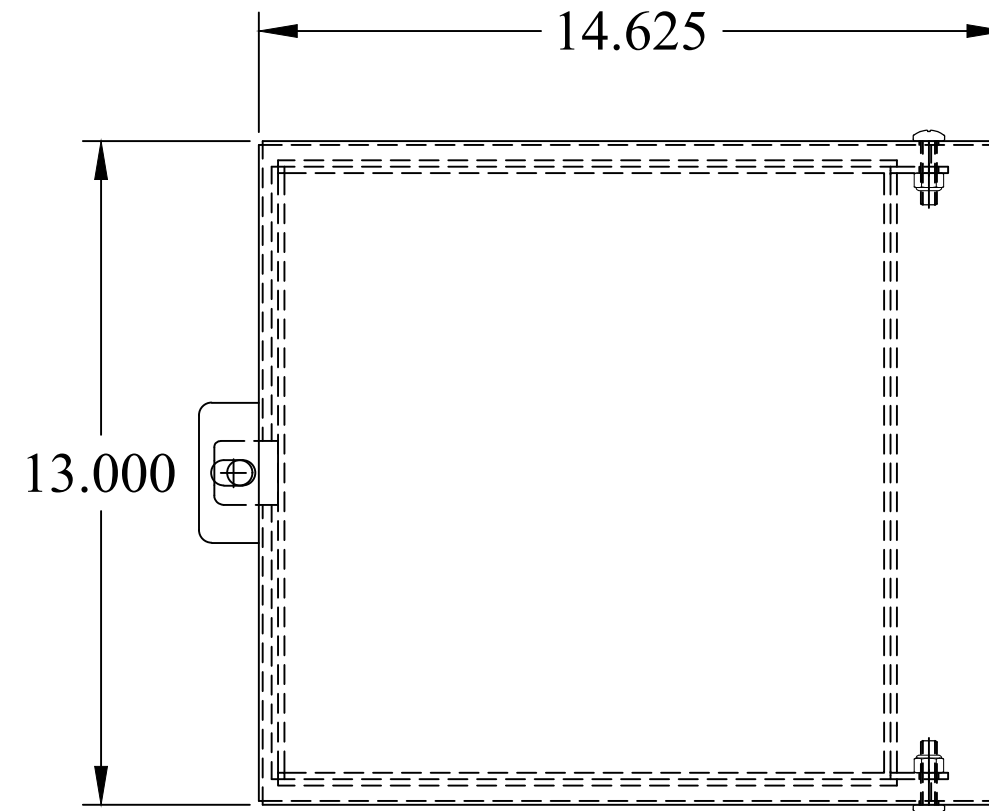
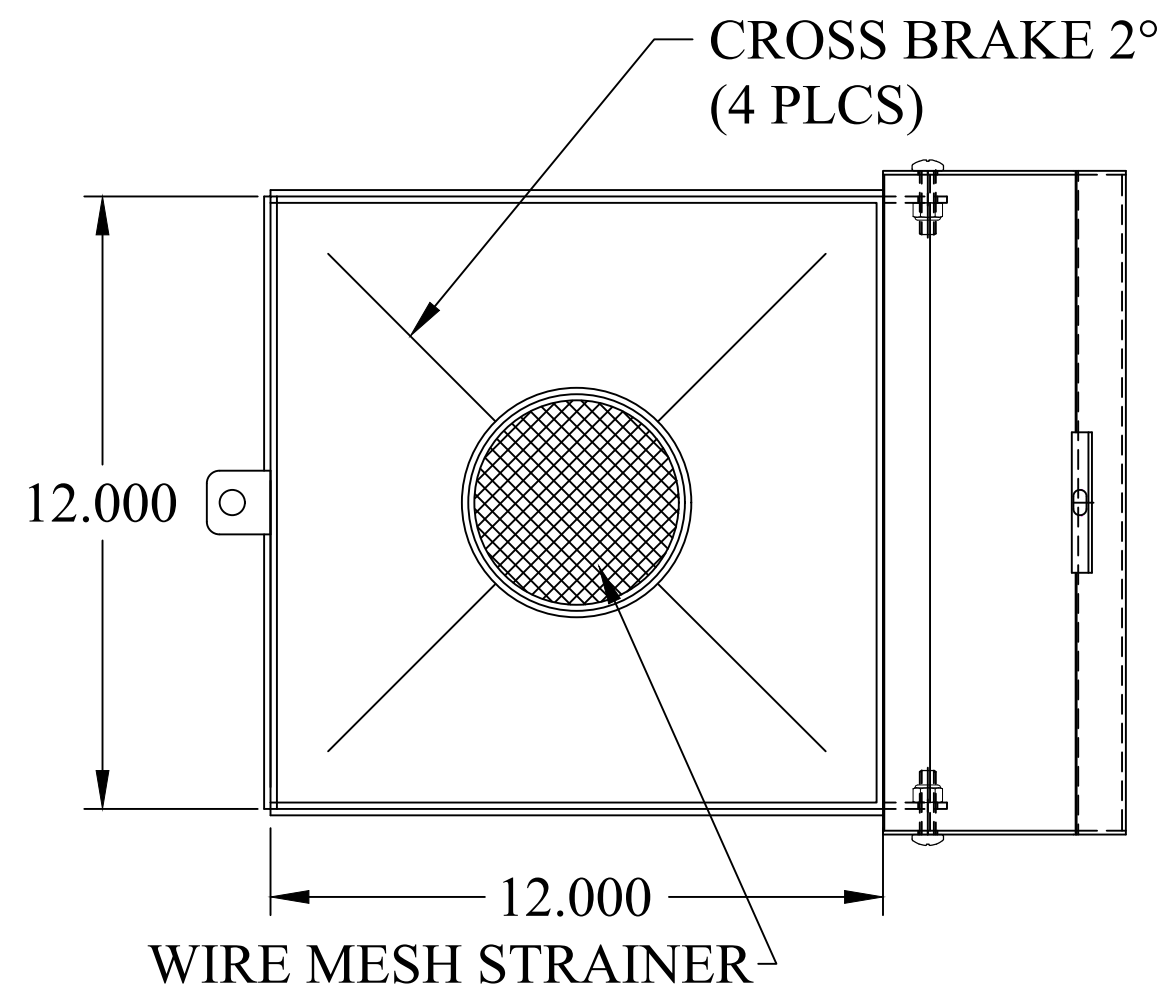
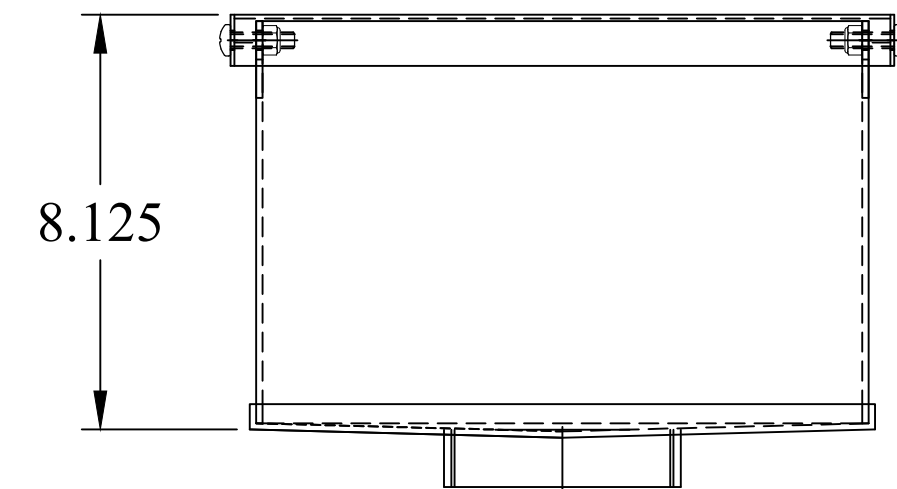
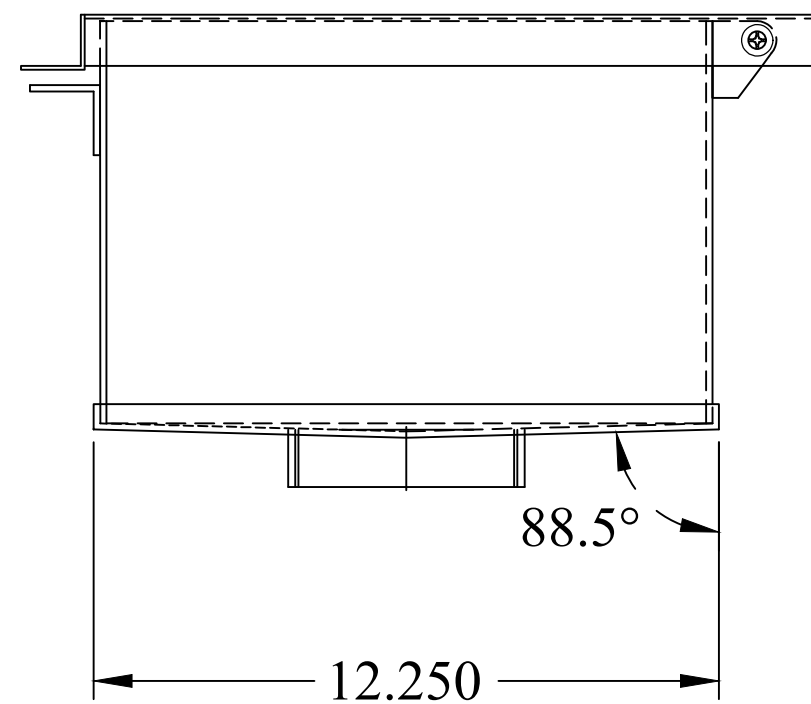
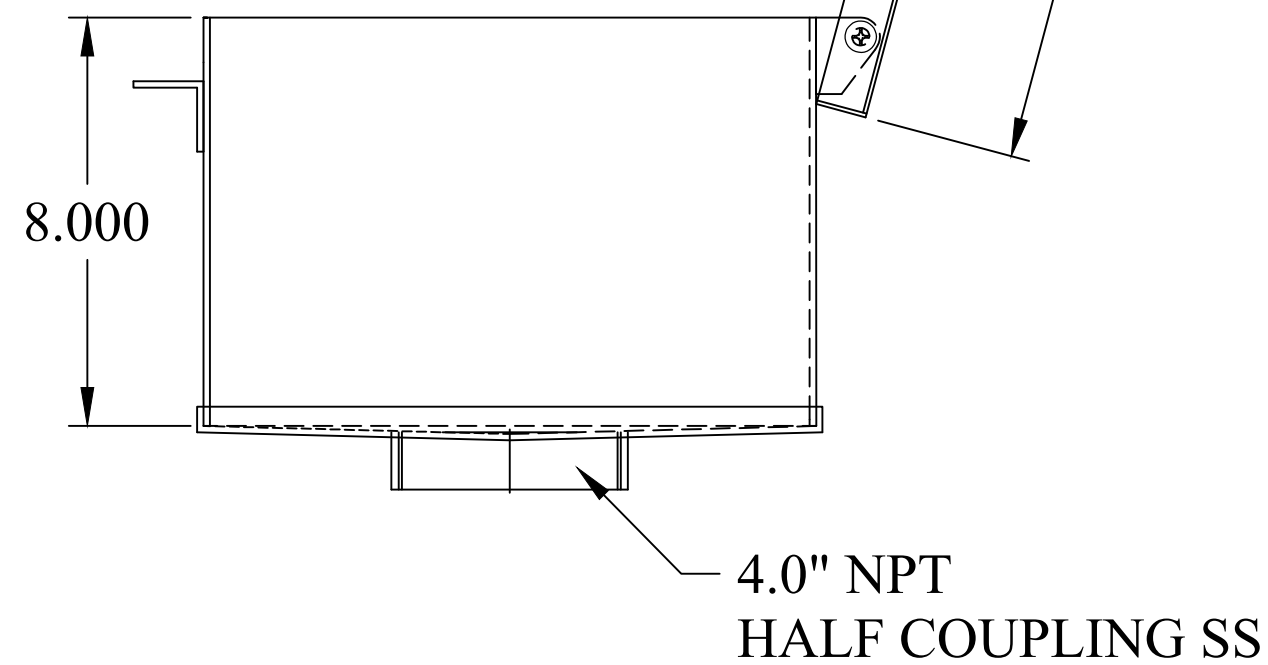
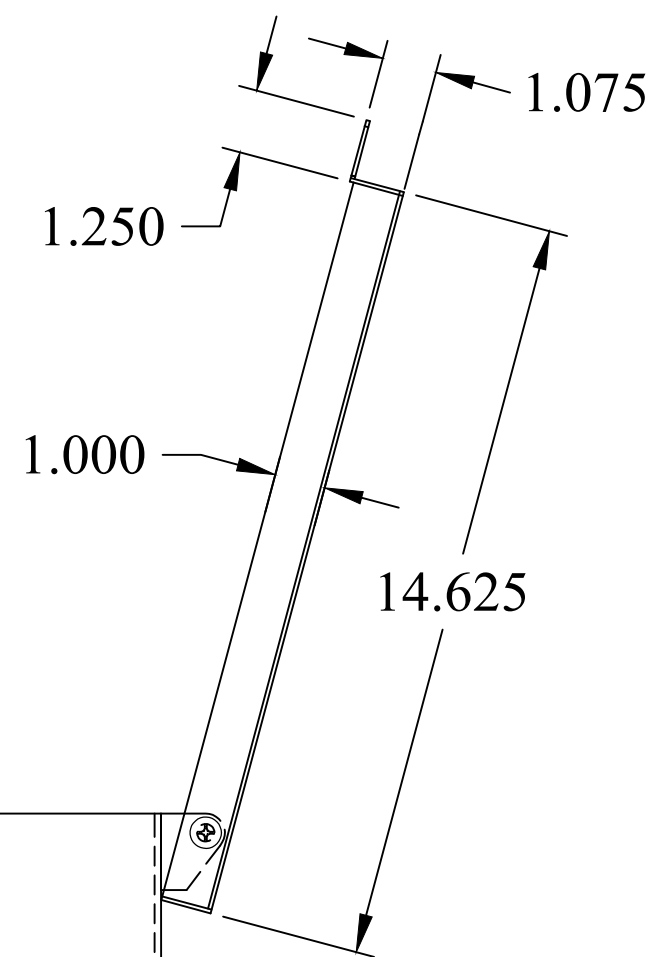


WASTE OIL DRAIN BASIN-SS



FEATURES:

- MATERIAL: HEAVY GUAGE 304 STAINLESS STEEL
- LOCKABLE FLIP-TOP COVER THAT HOLDS ITSELF IN THE UPRIGHT POSITION
- 5 GALLON CAPACITY
- 4.0" NPT HALF COUPLING (DRAIN)
- ONE (1) STAINLESS STEEL MESH STRAINER (DRAIN)
- MADE IN USA



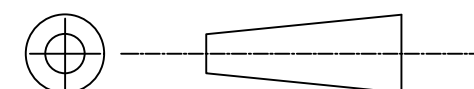
This document is proprietary and confidential. No part of this document may be disclosed in any manner to a third party without the prior written consent of Fairfield Industries

DO NOT SCALE DRAWING

UNLESS OTHERWISE SPECIFIED,
DIMENSIONS ARE IN INCHES.

TOLERANCES ON ANGLES: ± 1°
FRACTIONAL: ± 1/64
2-PLACE DECIMALS: ± 0.05
3-PLACE DECIMALS: ± 0.005

THIRD ANGLE PROJECTION



FAIRFIELD INDUSTRIES, INC

4483 CHOPPEE ROAD, GEORGETOWN SC 29440

PHONE: 843-461-3894 FAX: 843-461-3907

DESCRIPTION

WODB-5-4

SIZE C	SCALE NTS	DWG. NO A4220-2	C.REV	REV 1
DRAWN BY A.CONKLIN		DATE 04/02/20	SHT 1 OF 1	