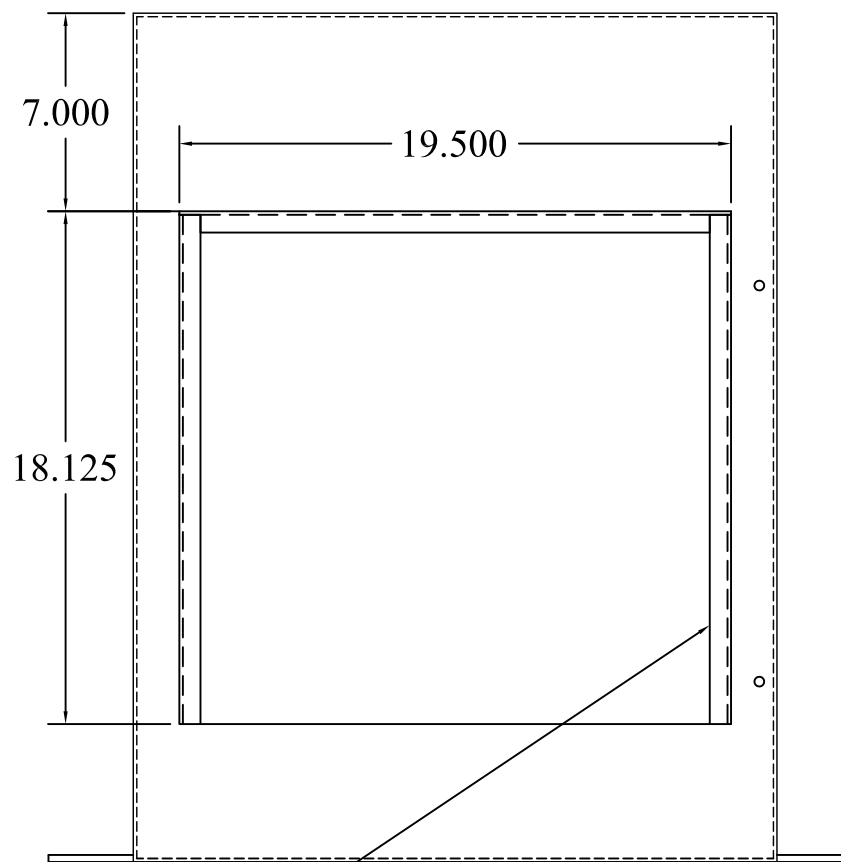
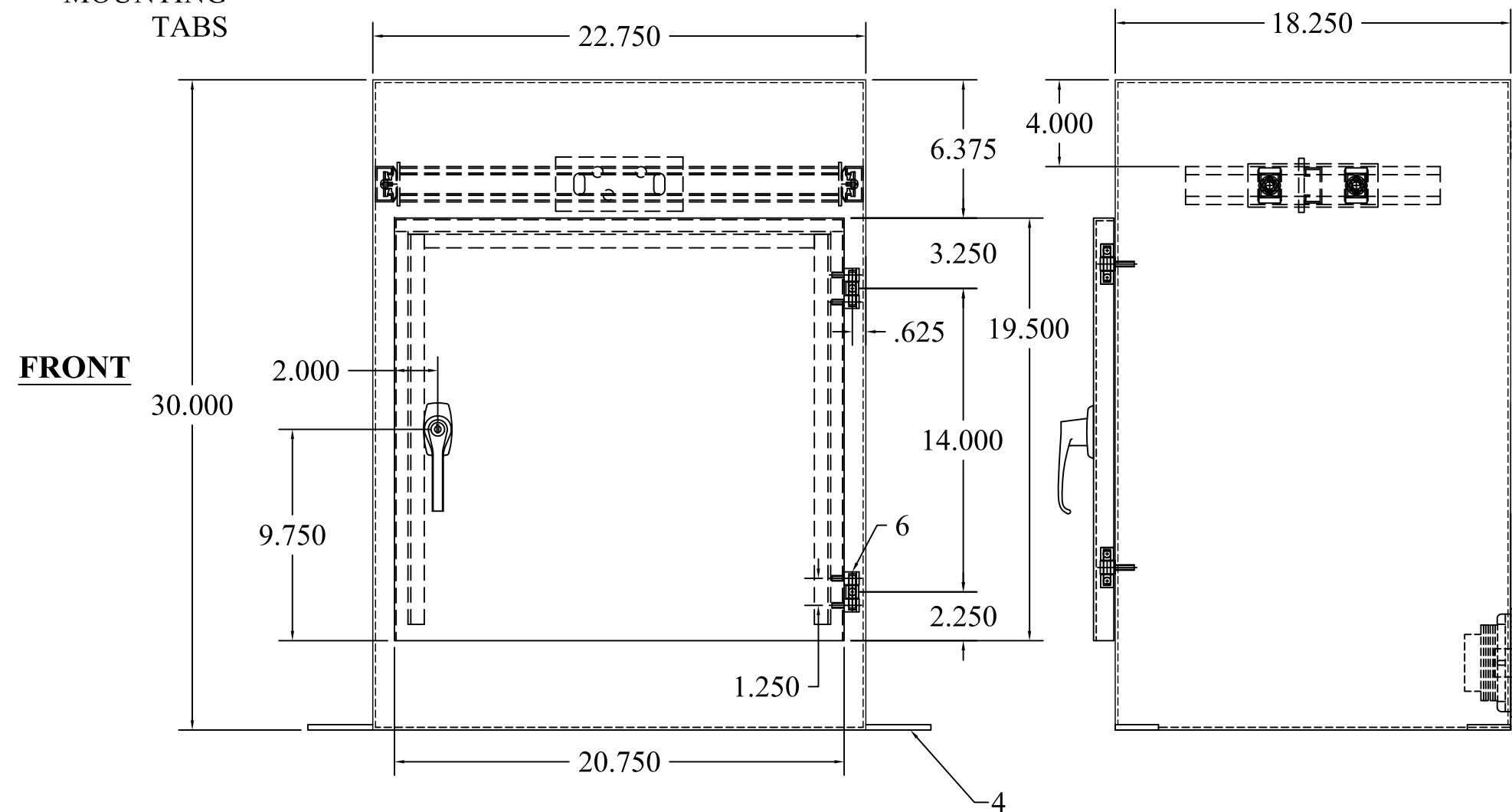


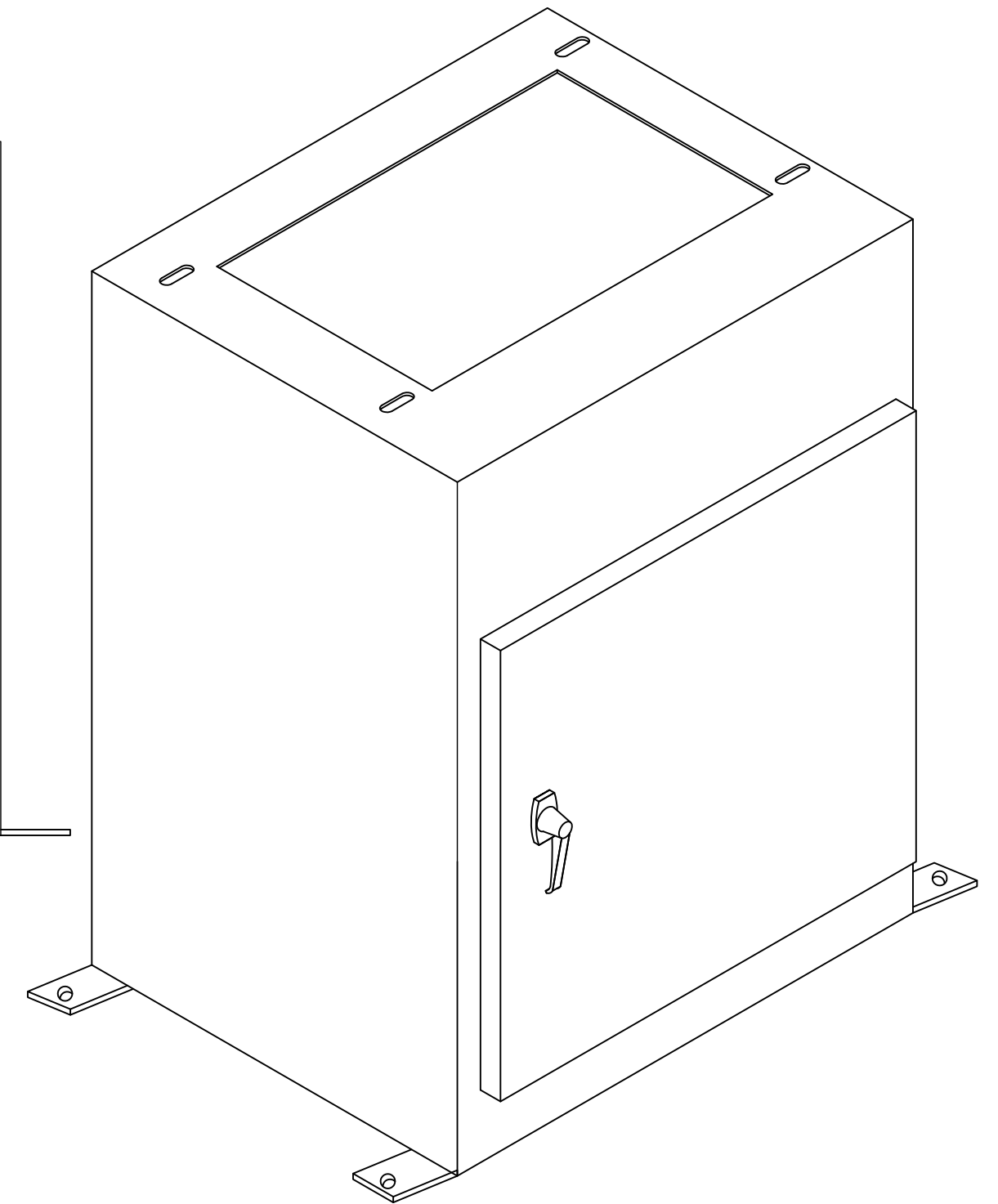
FEATURES:

- 11 GAUGE 304 STAINLESS STEEL ALL WELDED CONSTRUCTION
- 10 GALLON CAPACITY
- ONE (1) 14 GAUGE 304 STAINLESS STEEL, LOCKABLE, HINGED DOOR (13" X 18" OPENING)
- STANDARD UNI-STRUT STYLE SHEAR VALVE MOUNTING BRACKET
- ONE (1) 3/4" NPT DRAIN FITTING
- FOUR (4) 3" X 2" X 1/4" MOUNTING TABS WITH 5/8" ANCHOR HOLES
- FOUR (4) DISPENSER MOUNTING SLOTS (0.5" x 1.5")
- ONE (1) 1-1/2" FLEXIBLE ENTRY BOOT
- THREE (3) 3/4" CONDUIT COUPLINGS
- MADE IN USA

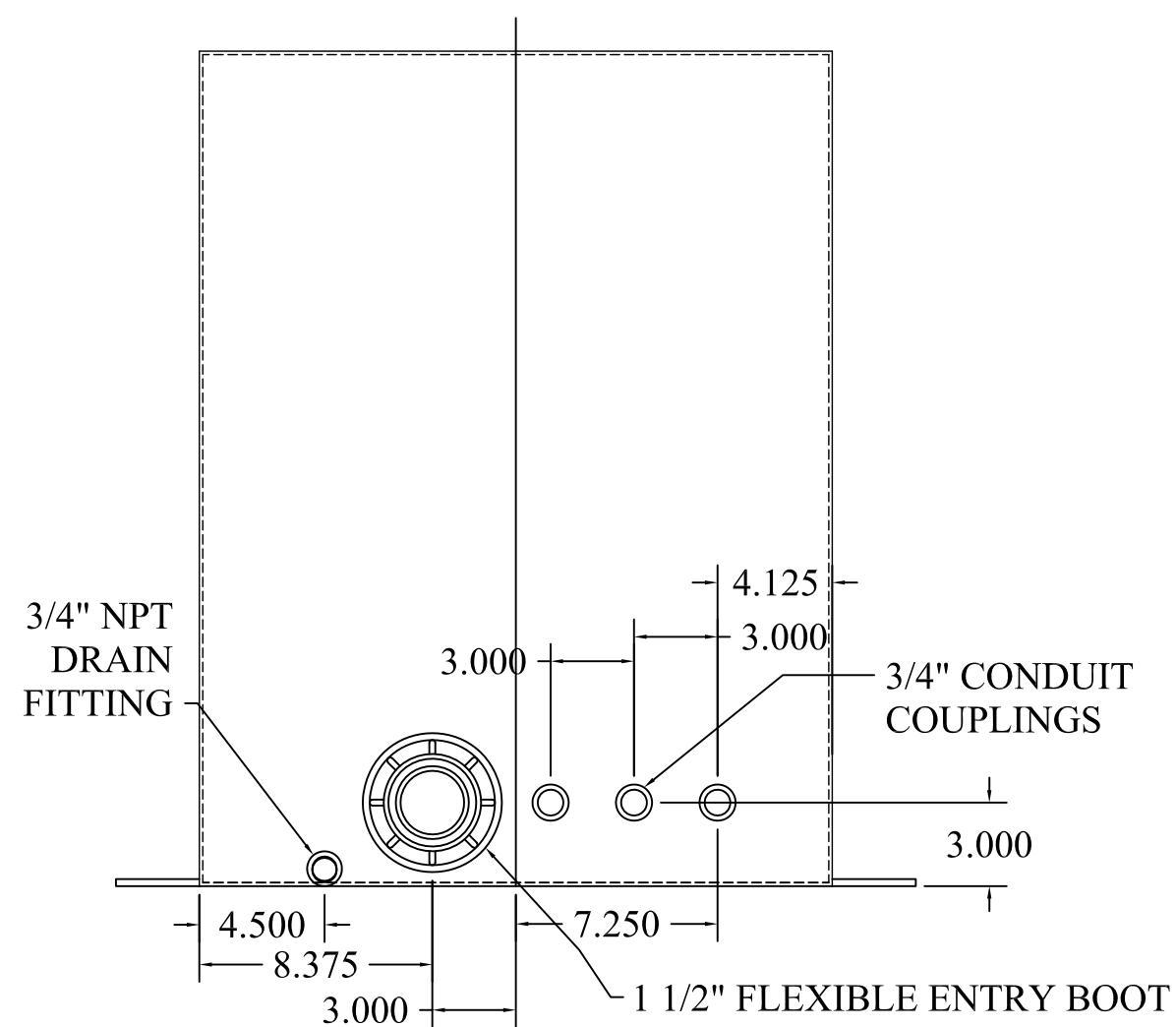


3/4" x 3/4" x 1/8" ANGLE
WELDED AROUND
PERIMETER OF FRONT
OPENING THREE PLCS.

FRONT VIEW
(DOOR REMOVED)



REAR



This document is proprietary and confidential. No part of this document may be disclosed in any manner to a third party without the prior written consent of Fairfield Industries

DO NOT SCALE DRAWING
UNLESS OTHERWISE SPECIFIED,
DIMENSIONS ARE IN INCHES.

TOLERANCES ON ANGLES: ± 1°
2-PLACE DECIMALS: ± 0.062
3-PLACE DECIMALS: ± 0.031

THIRD ANGLE PROJECTION

FAIRFIELD INDUSTRIES, INC
4483 CHOPPEE ROAD, GEORGETOWN SC 29440
PHONE: 843-461-3894 FAX: 843-461-3907

DESCRIPTION **DP-S1-3CC**

SIZE C	SCALE NTS	DWG. NO D042420-1	C.REV -	REV 1
DRAWN BY D. NETTLES		DATE 04/24/20	SHT 1 OF 4	