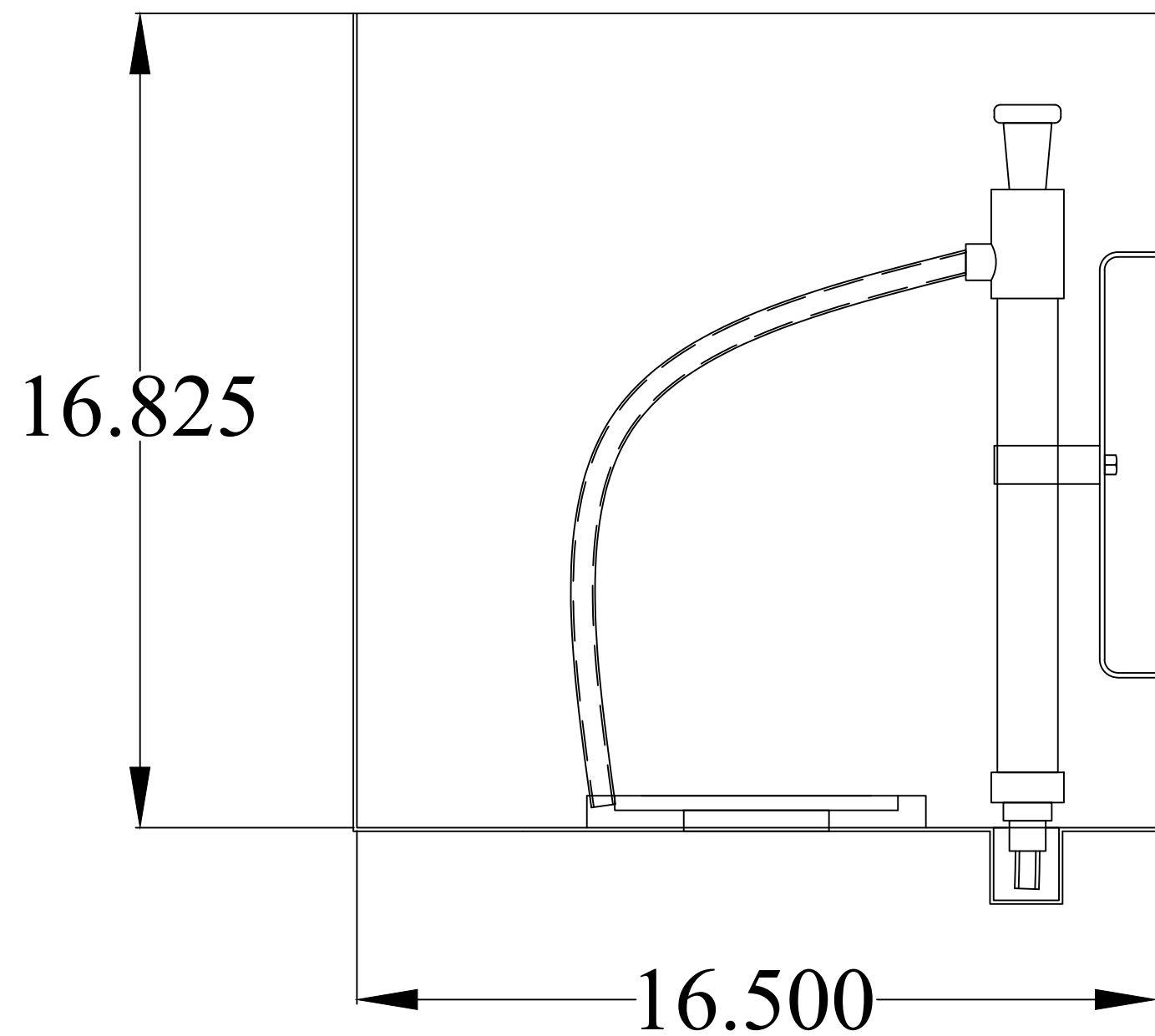


FEATURES:

- 14GA. STAINLESS STEEL 15 GALLON SPILL CONTAINER
- ONE (1) FLANGE ASSEMBLY (2, 3, OR 4")
- HAND-OPERATED SINGLE-STROKE PUMP AND HOSE ASSEMBLY
- STAINLESS STEEL COLLECTION SUMP
- MADE IN USA

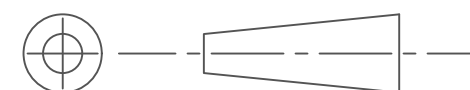


DO NOT SCALE DRAWING
 UNLESS OTHERWISE SPECIED
 DIMENSIONS ARE IN INCHES.
 TOLERANCES ON ANGLES: $\pm 1^\circ$
 FRACTIONAL: $\pm 1/16$
 2-PLACE DECIMALS: ± 0.062
 3-PLACE DECIMAL: ± 0.032

FAIRFIELD INDUSTRIES, INC
 4483 CHOPPEE ROAD, GEORGETOWN SC 29440
 PHONE: 843-461-3894 FAX: 843-461-3907

DESCRIPTION		SC-15X		REV.
SIZE	SCALE	DWG.NO.	1	
C	NTS	D070921-2		
DRAWN BY		DATE	SHT.	
D. NETTLES		07/09/21	1 OF 1	

THIRD ANGLE PROJECTION



This document is proprietary and confidential. No part of this document may be disclosed in any manner to a third party without the prior written consent of Fairfield Industries