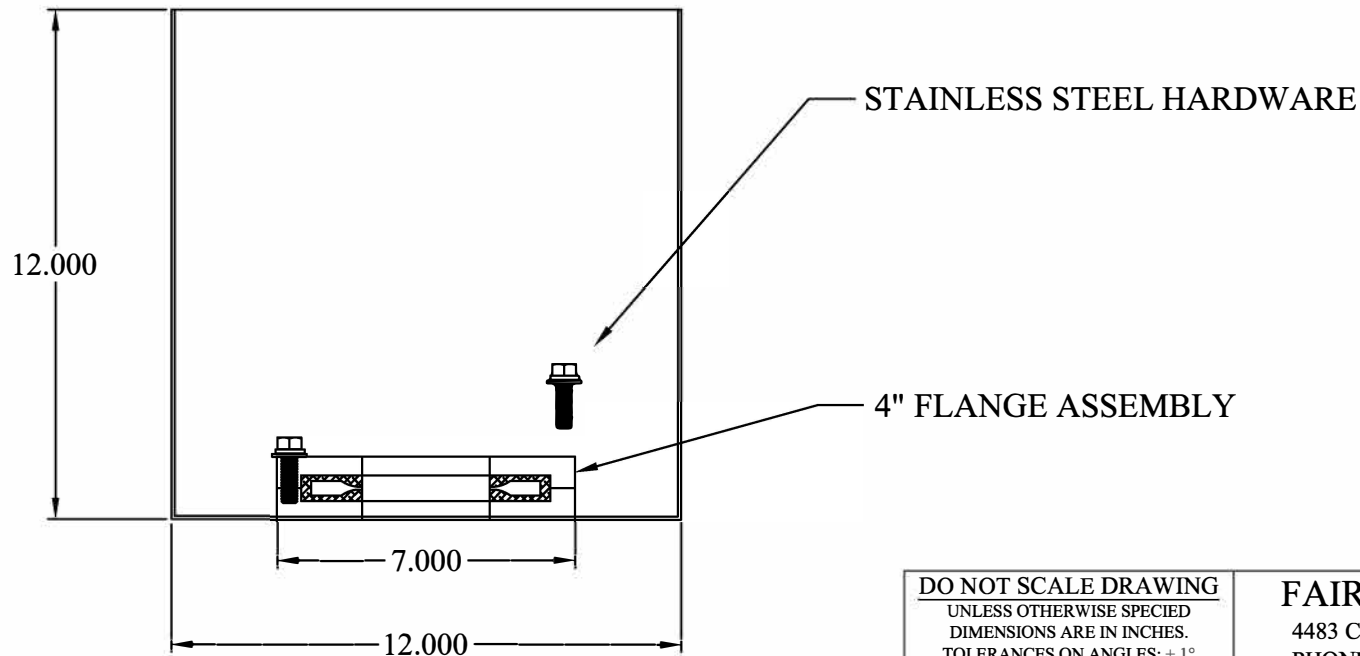


**FEATURES:**

- 14GA. 304 STAINLESS STEEL SPILL CONTAINER
- 5 GALLON SPILL CAPACITY
- ONE (1) 4" FLANGE WITH STAINLESS STEEL BOLTS
- ONE (1) SEAL (2, 3, OR 4")
- MADE IN USA



**DO NOT SCALE DRAWING**  
 UNLESS OTHERWISE SPECIED  
 DIMENSIONS ARE IN INCHES.  
 TOLERANCES ON ANGLES: ± 1°  
 FRACTIONAL: ± 1/16  
 2-PLACE DECIMALS: ± 0.062  
 3-PLACE DECIMAL: ± 0.032

**FAIRFIELD INDUSTRIES, INC**  
 4483 CHOPPEE ROAD, GEORGETOWN SC 29440  
 PHONE: 843-461-3894 FAX: 843-461-3907

DESCRIPTION			
<b>SC-5NPX</b>			
SIZE	SCALE	DWG.NO.	REV.
A	NTS	D112018-1	1
DRAWN BY		DATE	SHT.
D NETTLES		11/20/18	1 OF 1



This document is proprietary and confidential. No part of this document may be disclosed in any manner to a third party without the prior written consent of Fairfield Industries