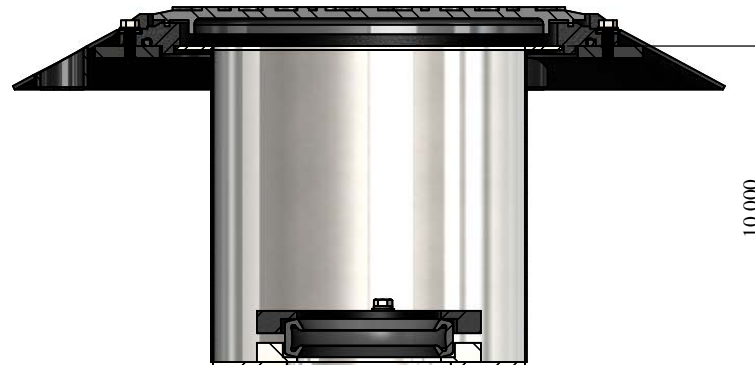
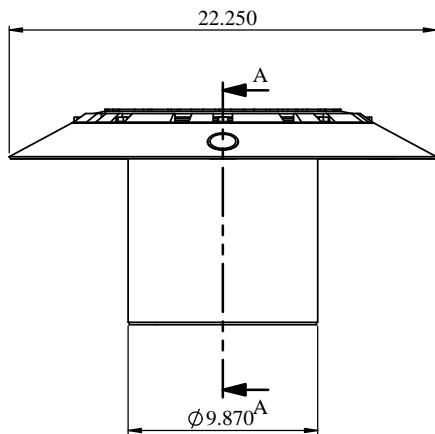
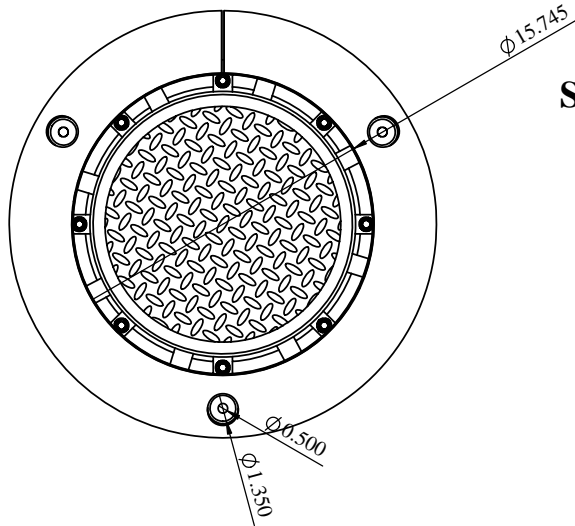
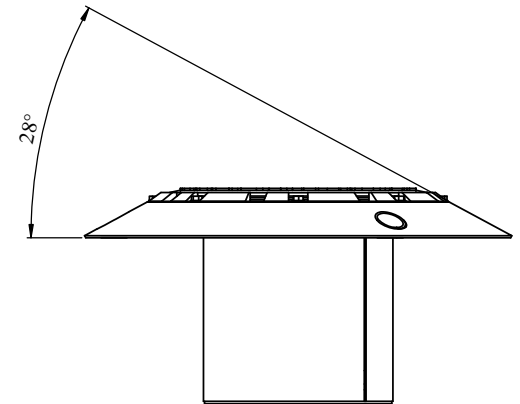


# SCM-5-ZRC2

## SPILL CONTAINMENT REPAIR KIT

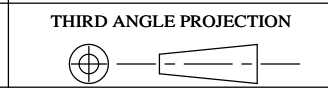


SECTION A-A  
SCALE 1 : 3

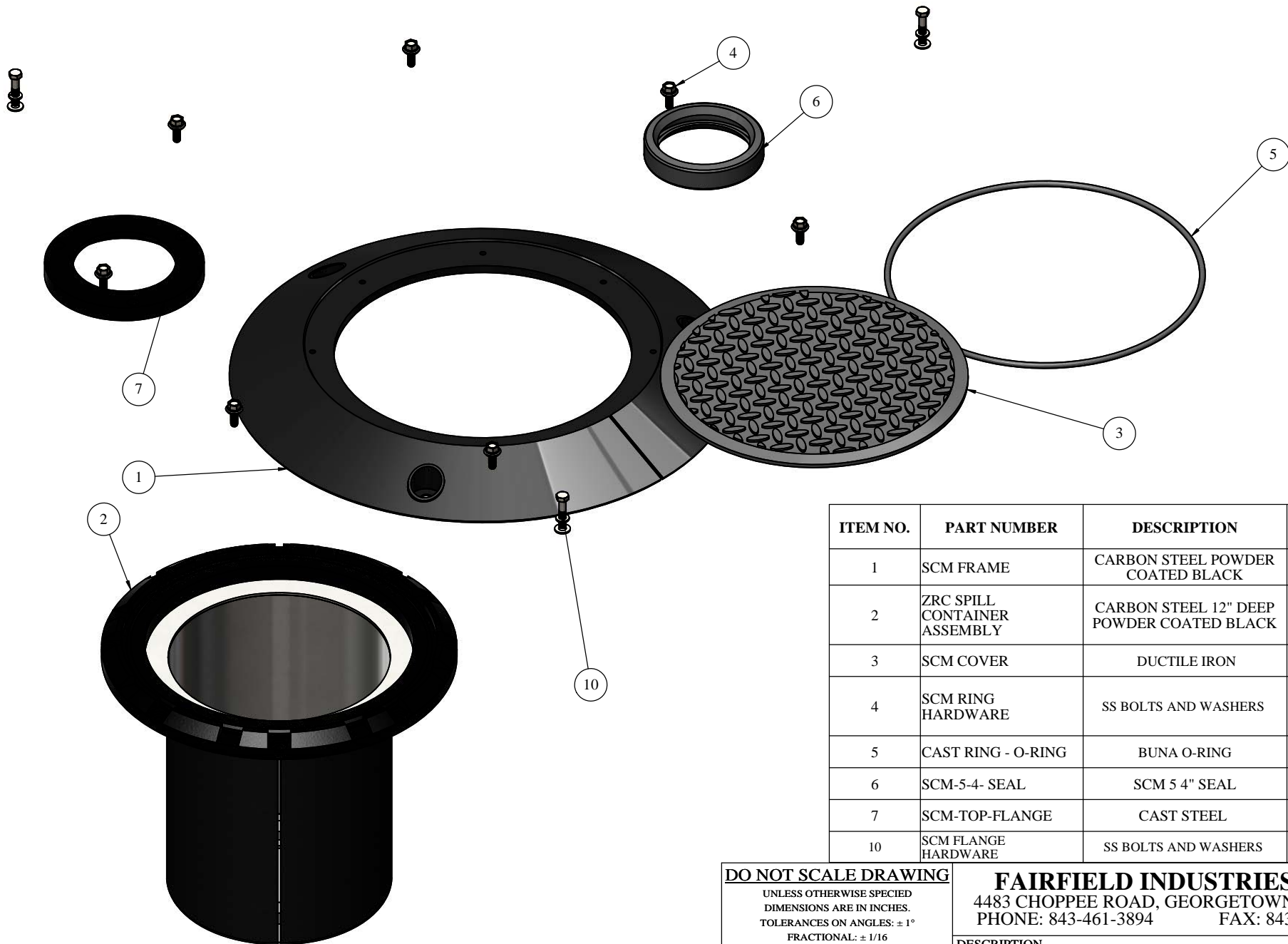


This document is proprietary and confidential. No part of this document may be disclosed in any manner to a third party without the prior written consent of Fairfield Industries

**DO NOT SCALE DRAWING**  
UNLESS OTHERWISE SPECIED  
DIMENSIONS ARE IN INCHES.  
TOLERANCES ON ANGLES:  $\pm 1^\circ$   
FRACTIONAL:  $\pm 1/16$   
2-PLACE DECIMALS:  $\pm 0.062$   
3-PLACE DECIMAL:  $\pm 0.032$



<b>FAIRFIELD INDUSTRIES, INC</b>			
4483 CHOPPEE ROAD, GEORGETOWN SC 29440			
PHONE: 843-461-3894		FAX: 843-461-3907	
DESCRIPTION		SCM-5-ZRC2	
SIZE	SCALE	DWG.NO.	REV.
C	NA	D040519-8	1
DRAWN BY	DATE	SHT.	
D. NETTLES	4/5/19	1 OF 2	

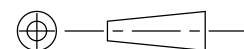


ITEM NO.	PART NUMBER	DESCRIPTION	EXPLODED VIEW /QTY.
1	SCM FRAME	CARBON STEEL POWDER COATED BLACK	1
2	ZRC SPILL CONTAINER ASSEMBLY	CARBON STEEL 12" DEEP POWDER COATED BLACK	1
3	SCM COVER	DUCTILE IRON	1
4	SCM RING HARDWARE	SS BOLTS AND WASHERS	8
5	CAST RING - O-RING	BUNA O-RING	1
6	SCM-5-4- SEAL	SCM 5 4" SEAL	1
7	SCM-TOP-FLANGE	CAST STEEL	1
10	SCM FLANGE HARDWARE	SS BOLTS AND WASHERS	3

**DO NOT SCALE DRAWING**

UNLESS OTHERWISE SPECIED  
DIMENSIONS ARE IN INCHES.  
TOLERANCES ON ANGLES: ± 1°  
FRACTIONAL: ± 1/16  
2-PLACE DECIMALS: ± 0.062  
3-PLACE DECIMAL: ± 0.032

THIRD ANGLE PROJECTION



**FAIRFIELD INDUSTRIES, INC**  
4483 CHOPPEE ROAD, GEORGETOWN SC 29440  
PHONE: 843-461-3894 FAX: 843-461-3907

DESCRIPTION SCM-5-ZRC1

This document is proprietary and confidential. No part of this document may be disclosed in any manner to a third party without the prior written consent of Fairfield Industries

SIZE C	SCALE NA	DWG.NO. D051719-3	REV. 1
DRAWN BY D. NETTLES		DATE 05/17/19	SHT. 2 OF 2