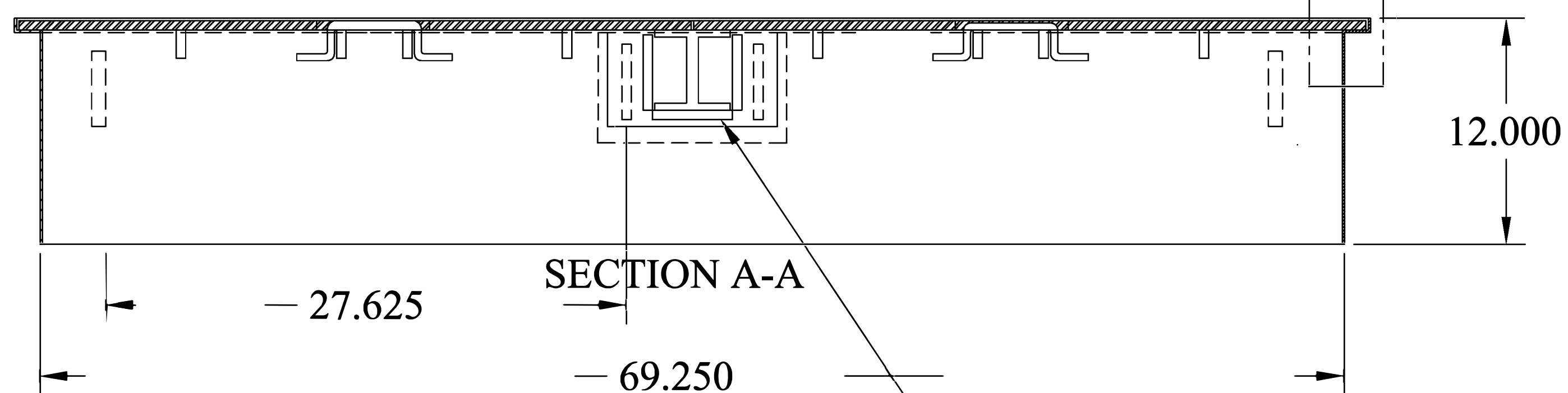
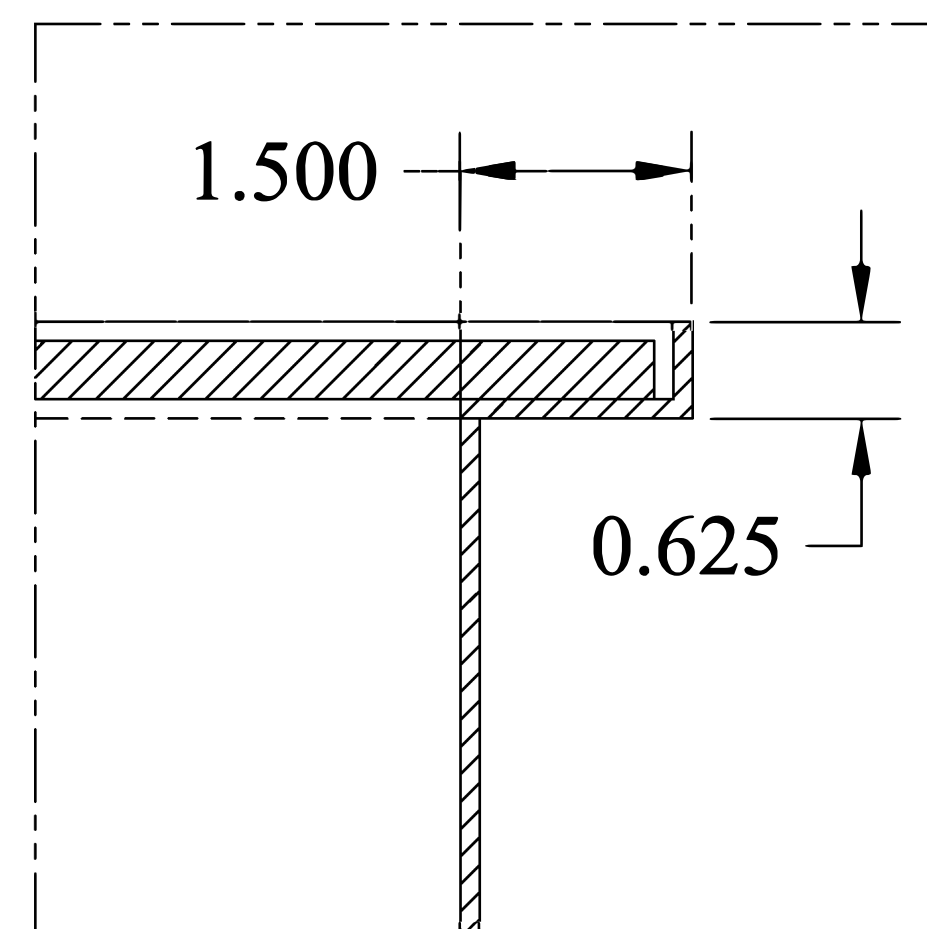


3/8" THICK
REINFORCED DIAMOND
PLATE COVER (2PLCS)

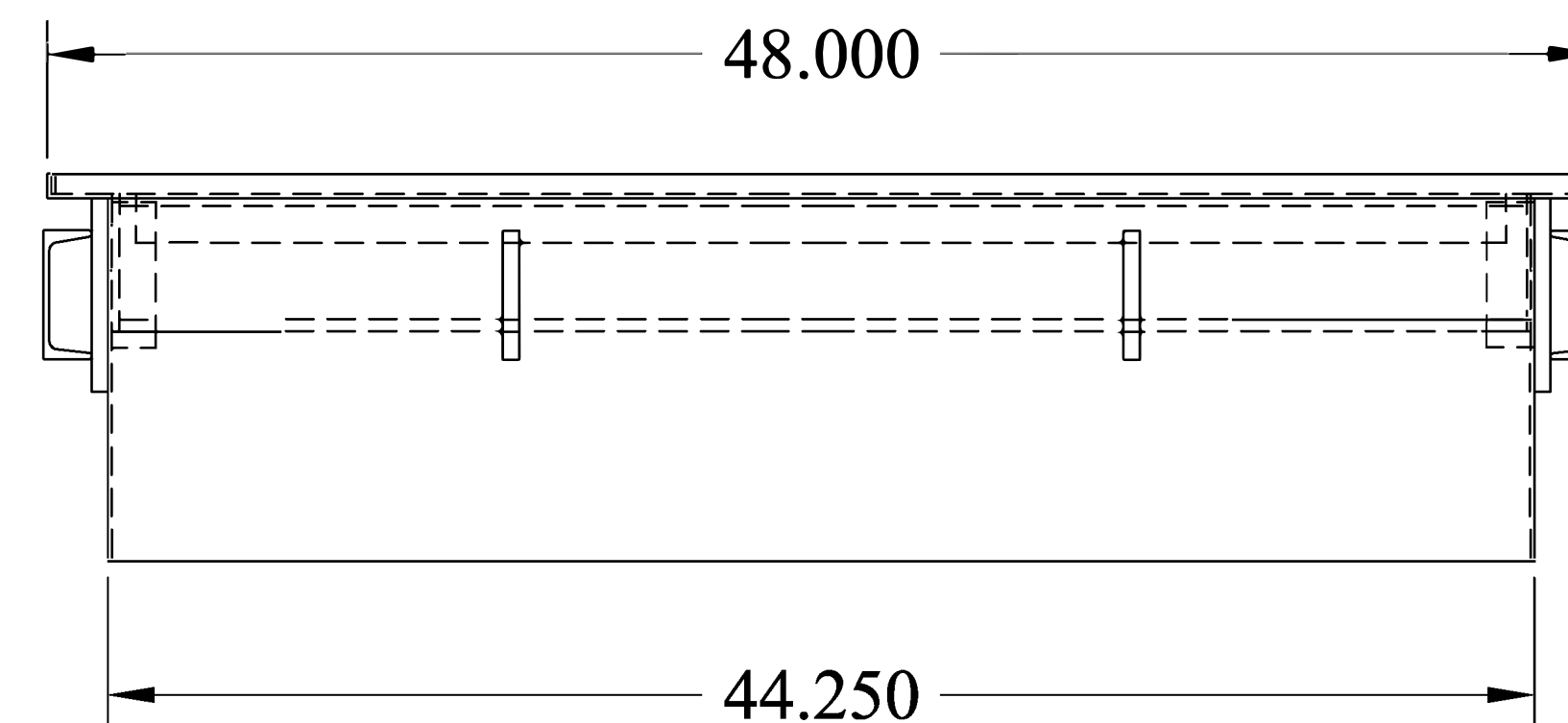
FEATURES

- TWO (2) 3/8" THICK DIAMOND PLATE REINFORCED COVERS OF EQUAL SIZE, H-20 TRUCK LOAD RATING, RECESSED HANDLES
- 11 GAUGE TOP FRAME AND SKIRT, ALL WELDED CONSTRUCTION
- CHANNEL-STYLE CONCRETE ANCHORS
- ONE (1) REMOVABLE 6.0" x 6.0" I-BEAM SUPPORT
- ALL STEEL COATED WITH A RUST PREVENTIVE PAINT
- MADE IN USA



SECTION A-A

6.0" X 6.0" REMOVABLE I BEAM AND SUPPORTS



OPEN BOTTOM

DO NOT SCALE DRAWING
UNLESS OTHERWISE SPECIED
DIMENSIONS ARE IN INCHES.
TOLERANCES ON ANGLES: ± 1°
FRACTIONAL: ± 1/16
2-PLACE DECIMALS: ± 0.062
3-PLACE DECIMAL: ± 0.032

FAIRFIELD INDUSTRIES, INC
4483 CHOPPEE ROAD, GEORGETOWN SC 29440
PHONE: 843-461-3894 FAX: 843-461-3907

DESCRIPTION		DWG.NO.		REV.
SR 48-72		D020218-1		
SIZE	SCALE	DWG.NO.	REV.	
D	NTS	D020218-1		
DRAWN BY		DATE	SHT.	
D. NETTLES		02/02/18	1 OF 3	

This document is proprietary and confidential. No part of this document may be disclosed in any manner to a third party without the prior written consent of Fairfield Industries

THIRD ANGLE PROJECTION

